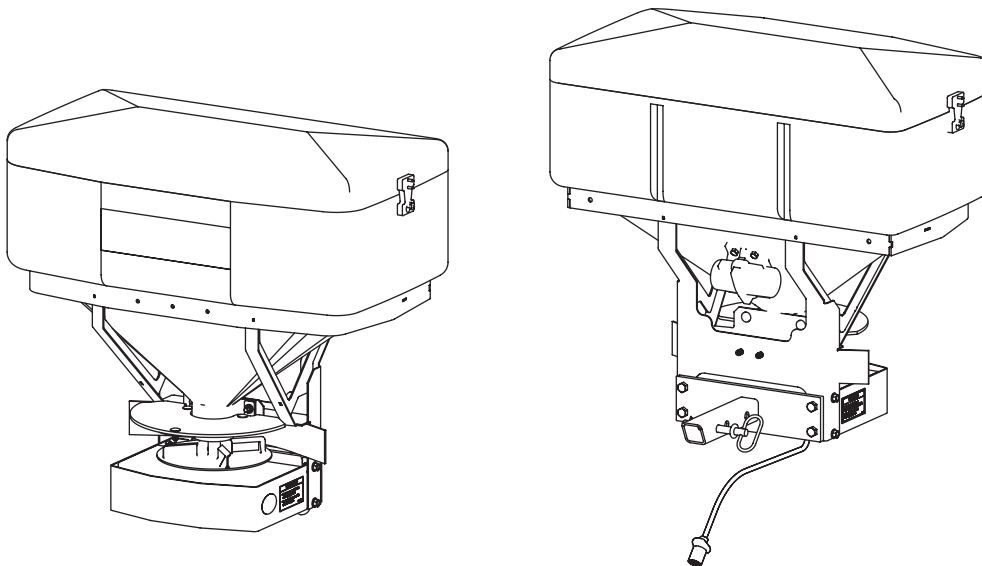




# SP-575V Tailgate Spreader

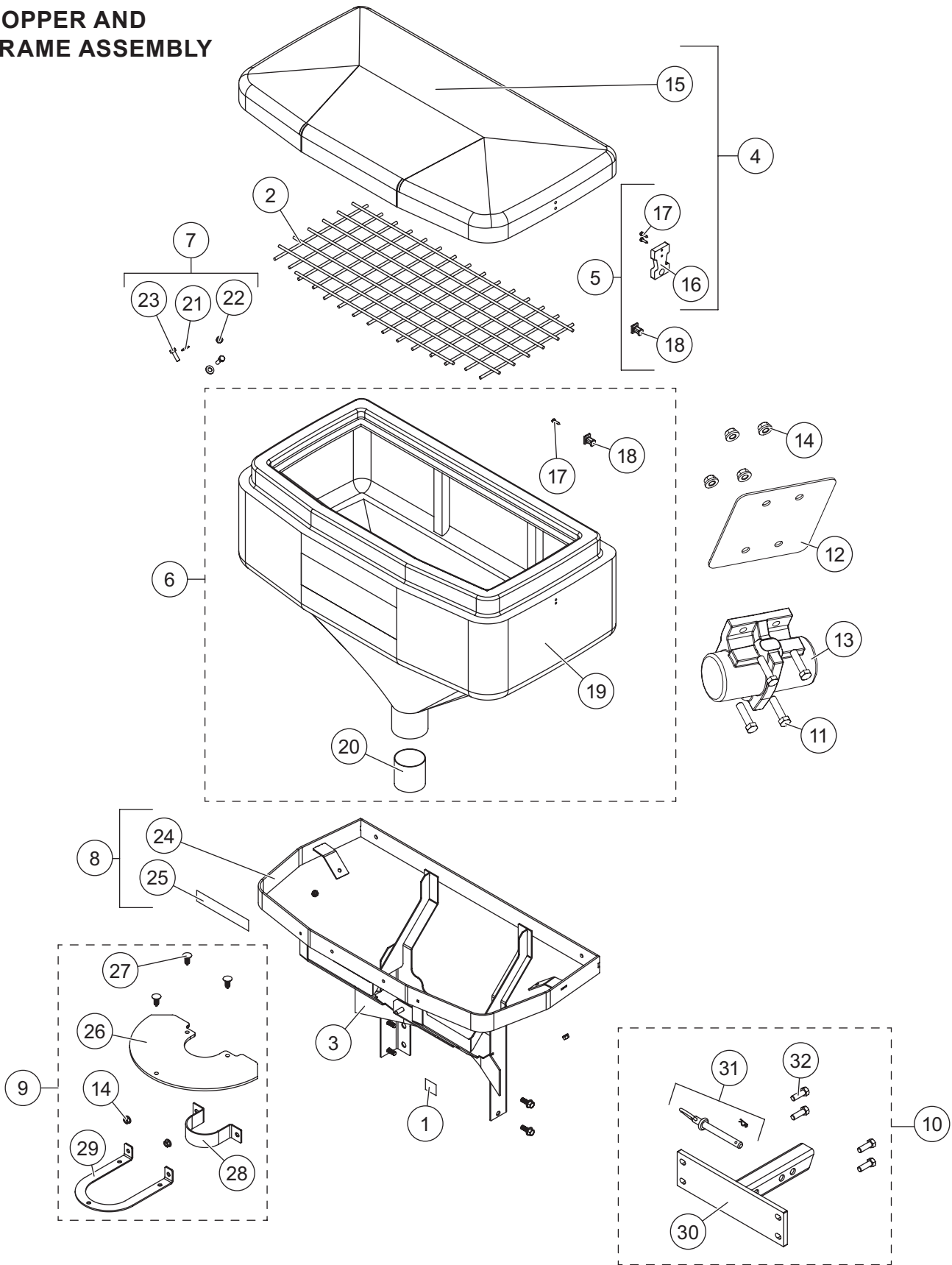
## Parts List



This Parts List is for SnowEx SP-575V tailgate spreaders with serial numbers 140410300010SP-575V and higher.

# SP-575V TAILGATE SPREADER

## HOPPER AND FRAME ASSEMBLY

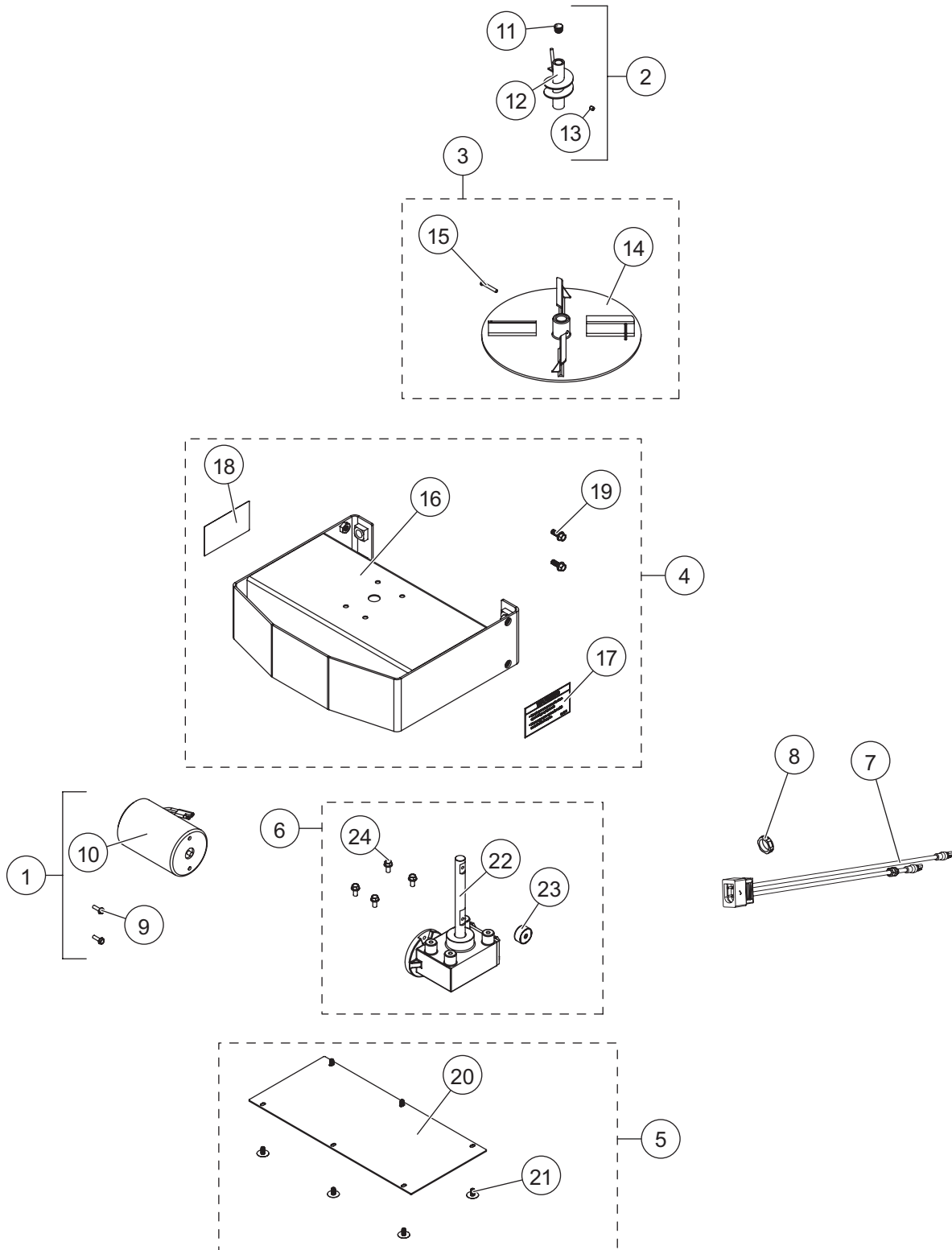


## SP-575V TAILGATE SPREADER

<b>Hopper and Frame Assembly</b>							
<b>Item</b>	<b>Part</b>	<b>Qty</b>	<b>Description</b>	<b>Item</b>	<b>Part</b>	<b>Qty</b>	<b>Description</b>
1	F50675	1	Label, Die Cut "V"	8	75632	1	Frame Kit, SP-575X
2	75636	1	Top Screen, SP-575X	9	75639	1	CE Shroud Kit
3	75646	1	Deflector	10	75633	1	Receiver Kit, SP-575X
4	75630	1	Lid Kit, SP-575X	11	D4122	4	3/8-16 x 1-1/2 Hex Cap Screw
5	75612	1	Hopper Strap Kit	12	D5508	1	Backing Plate
6	75631	1	Hopper Kit, SP-575X	13	D6174	1	DC 80 Vibrator
7	75614	1	Hopper Hardware Kit	14	D4124	6	3/8-16 Hex Locknut
<b>Item 4</b>				<b>75630 Lid Kit, SP-575X</b>			
15		1	Hopper Lid, SP-575X	17		4	10 x 3/4 Slotted Cap Screw
16		2	Flexible Draw Latch				
<b>Item 5</b>				<b>75612 Hopper Strap Kit</b>			
16	D6105	2	Flexible Draw Latch	18	D6198	2	Latch Keeper
17		6	10 x 3/4 Slotted Cap Screw				
<b>Item 6</b>				<b>75631 Hopper Kit, SP-575X</b>			
19		1	Hopper, SP-575X	18		2	Latch Keeper
20		1	Throat Liner, Stainless Steel	17		2	10 x 3/4 Slotted Cap Screw
<b>Item 7</b>				<b>75614 Hopper Hardware Kit</b>			
21		2	3/8 Flat Washer	23		2	5/16-18 x 1-1/4 Hex Cap Screw
22		2	5/16-18 Hex Locknut GB				
<b>Item 8</b>				<b>75632 Frame Kit, SP-575X</b>			
24		1	Main Frame, SP-575X	25	D6186	1	Label, Die Cut – Mini Pro 575
<b>Item 9</b>				<b>75639 CE Shroud Kit</b>			
26		1	CE Shroud Tailgate	29		1	Mount Bracket, Shroud
27		3	11mm X 28mm X 22mm Retainer	14		2	3/8-16 Serrated Flange Nut
28		1	Throat Clamp				
<b>Item 10</b>				<b>75633 Receiver Kit, SP-575X</b>			
30		1	Mount, Receiver	32		4	1/2-13 x 1-1/2 Serrated Flange
31	75620	1	5/8 x 5-1/2 Hitch Pin w/Hairpin Cotter				
ns = not shown				G = Grade			

# SP-575V TAILGATE SPREADER

## DRIVE ASSEMBLY

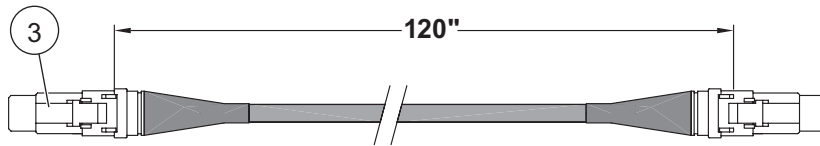
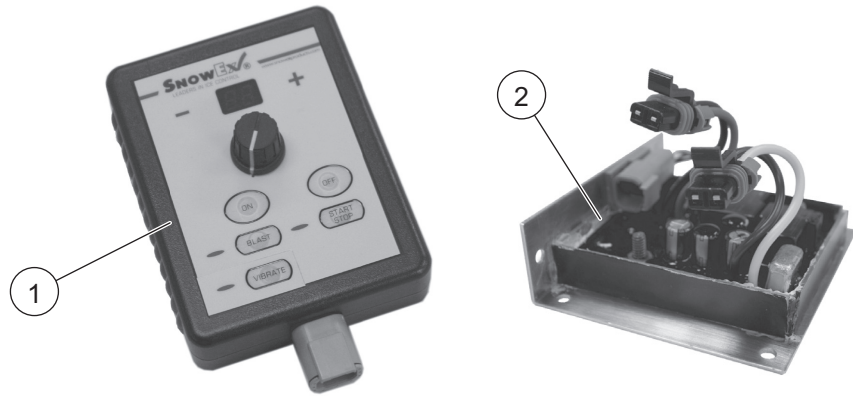


## SP-575V TAILGATE SPREADER

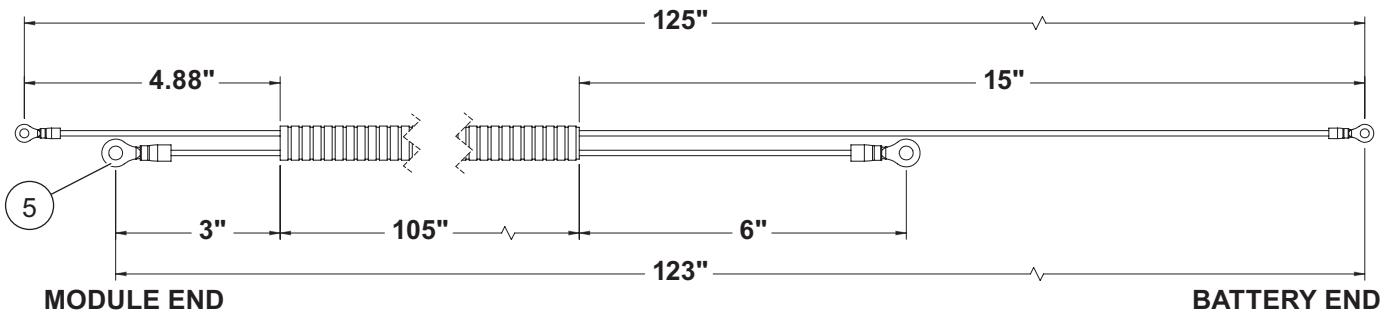
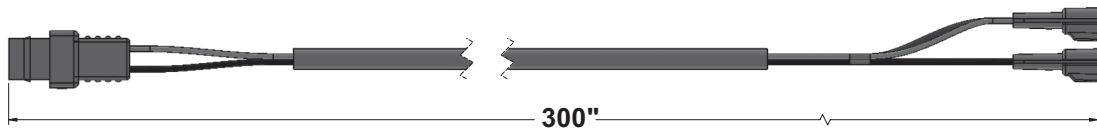
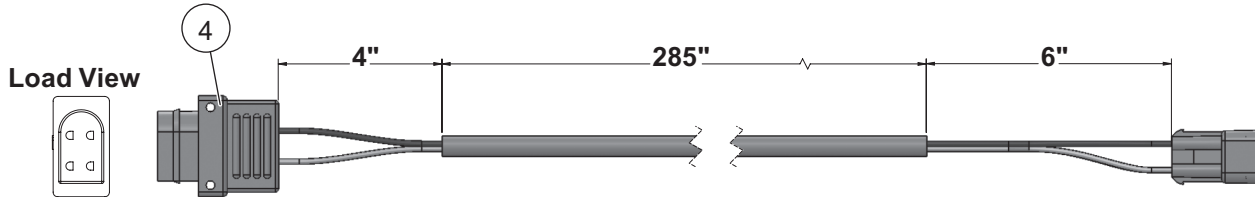
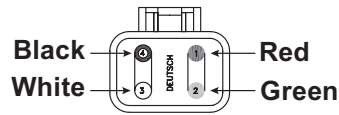
<b>75698 Drive Assembly</b>							
<b>Item</b>	<b>Part</b>	<b>Qty</b>	<b>Description</b>	<b>Item</b>	<b>Part</b>	<b>Qty</b>	<b>Description</b>
1	75606	1	Motor Kit	5	57104	1	Transmission Enclosure Cover Kit
2	75615	1	Auger Kit	6	75640	1	Transmission Kit
3	75618	1	Spinner Kit	7	F50671	1	Spreader Harness, SP-575V
4	75635	1	Transmission Enclosure Kit	8		1	1/2 NPT Nut Black Nylon
<b>Item 1</b>				<b>75606 Motor Kit</b>			
		2	10-32 x 5/8 Hex Cap Screw Serrated	10	D6214	1	3 x 3.8 12 V DC Motor
<b>Item 2</b>				<b>75615 Auger Kit</b>			
11	D6191	1	Auger Cap	13		1	5/16-18 x 3/8 Set Screw
12	D6075	1	Auger				
<b>Item 3</b>				<b>75618 Spinner Kit</b>			
14	D6750	1	Spinner, Poly	15	D6746	1	3/16 x 1-1/4 Clevis Pin
<b>Item 4</b>				<b>75635 Transmission Enclosure Kit</b>			
16		1	Enclosure, Spinner Drive	18	75623	1	Label, Warning – Read Manual
17	75621	1	Label, Warning – Hands & Feet	19		4	3/8-16 x 1 Hex Cap Screw Serrated
<b>Item 5</b>				<b>57104 Transmission Enclosure Cover Kit</b>			
20		1	Spinner Drive Enclosure Cover	21		6	1/4 x 3/4 x 1/2 Retainer Black Nylon
<b>Item 6</b>				<b>75640 Transmission Kit</b>			
22	D6107	1	Transmission 8:1	24		4	1/4-20 x 1/2 Serrated Flange SS
23	D6232	1	Motor Drive Coupler				
ns = not shown				G = Grade			

# SP-575V TAILGATE SPREADER

## ELECTRICAL COMPONENTS



Load View



## SP-575V TAILGATE SPREADER

---

Electrical Components							
Item	Part	Qty	Description	Item	Part	Qty	Description
1	F50574	1	Control Pendant, SP-575V	4	F50678	1	Vehicle Harness
2	F50596	1	Control Module, SP-575V	5	F50601	1	Battery Harness, SP-575V
3	F50578	1	Data Cable				



531 Ajax Drive  
Madison Heights, MI 53224-9538  
[www.snowexproducts.com](http://www.snowexproducts.com)

 A DIVISION OF DOUGLAS DYNAMICS, LLC

Copyright © 2017 Douglas Dynamics, LLC. All rights reserved. This material may not be reproduced or copied, in whole or in part, in any printed, mechanical, electronic, film or other distribution and storage media, without the written consent of TrynEx International. Authorization to photocopy items for internal or personal use by TrynEx International outlets or spreader owner is granted.

TrynEx International reserves the right under its product improvement policy to change construction or design details and furnish equipment when so altered without reference to illustrations or specifications used. TrynEx International or the vehicle manufacturer may require or recommend optional equipment for spreaders. Do not exceed vehicle ratings with a spreader. TrynEx International offers a limited warranty for all spreaders and accessories. See separately printed page for this important information. The following are registered (®) or unregistered (™) trademarks of Douglas Dynamics, LLC: SnowEx®, TrynEx®.

**Printed in U.S.A.**