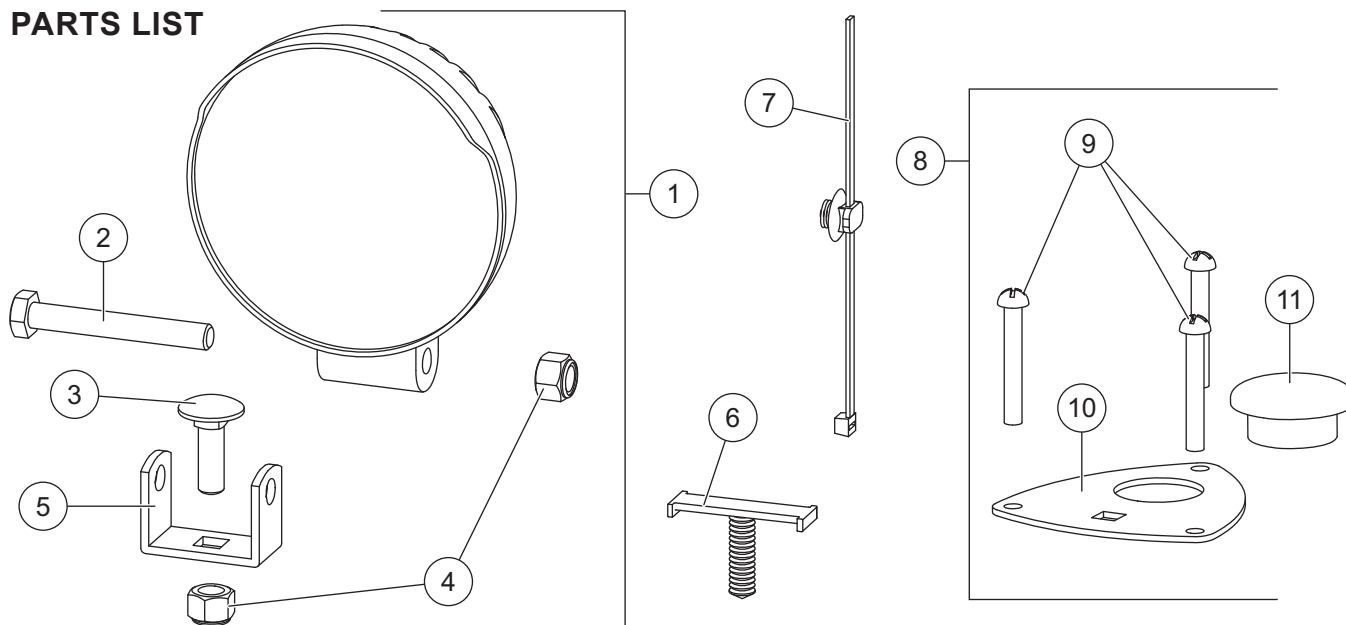


# Auxiliary Work Light Kit

## HELIXX™ Stainless Steel Hopper Spreaders with FLEET FLEX Electrical System

### PARTS LIST



85457 Auxiliary Work Light Kit							
Item	Part	Qty	Description	Item	Part	Qty	Description
1	78377	1	LED Work Light	6		4	Bundling Clip
2		1	5/16-18 x 2 Hex Cap Screw	7		4	Fir Tree Mount w/Cable Tie
3		1	5/16-18 x 1-1/4 Carriage Bolt	8	78562	1	Work Light Mounting Kit
4		2	5/16-18 Hex Locknut	ns	78386	1	Harness Assembly – 72"
5		1	Mounting Clip	ns		10	Cable Tie – 15"
Item 8				78562 Work Light Mounting Kit			
9		3	#10 x 1-1/2 Pan Head Phillips Screw SS	10		1	Mounting Bracket – Work Light
				11	99195	1	Break-Thru Plug
ns = not shown				SS = Stainless Steel			

#### ⚠ WARNING

Do not exceed GVWR or GAWR ratings as found on the driver-side vehicle door cornerpost.

#### ⚠ CAUTION

Use standard methods and practices when attaching spreader and installing accessories, including proper personal protective safety equipment.

#### ⚠ CAUTION

Read this document before installing the auxiliary work light kit.

## INSTALLATION INSTRUCTIONS

The work light relay/fuse assembly must be installed prior to this auxiliary light kit.

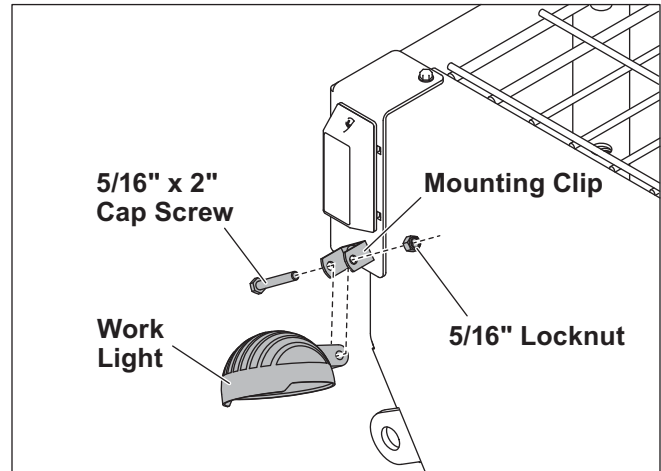
1. Park the vehicle on a smooth, level, hard surface, such as concrete. Turn the vehicle ignition to the "OFF" position and remove the key.

### **⚠ CAUTION**

**Before drilling holes, check to be sure that no vehicle wiring or other components could be damaged by drilling.**

2. The illustrations show the work light being mounted to a previously installed strobe light bracket. The work light can be installed in a different location by drilling a 13/32" hole for installing the work light mounting clip. Install the mounting clip in the desired location using the supplied 5/16" x 1-1/4" carriage bolt and 5/16" locknut.

3. Install the work light to the mounting clip using the 5/16" x 2" cap screw and 5/16" locknut, but do not fully tighten the fasteners yet.



4. Aim the light in the desired direction, then fully tighten the locknut.
5. Plug the work light harness into the matching connector on the work light.

6. Secure the work light harness:

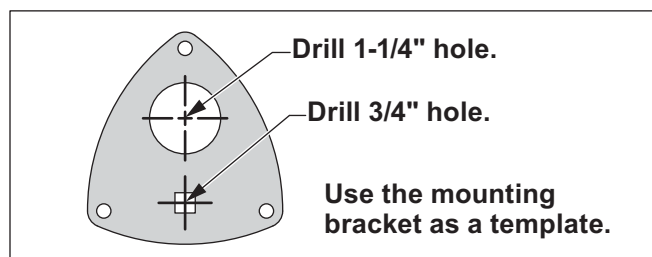
*If the work light is being mounted on an existing strobe light bracket, secure the work light harness to the strobe light harness using supplied cable ties.*

**⚠ CAUTION**

**Before drilling holes, check to be sure that no vehicle wiring or other components could be damaged by drilling.**

*If the work light harness will not be mounted on an existing strobe light bracket, the fir tree mounts will be used to secure the harness between the light and the electrical enclosure. Drill 1/4" holes in the desired locations for attaching the fir tree mounts. Push the fir tree mounts into the holes and secure the work light harness to the hopper with the attached cable ties.*

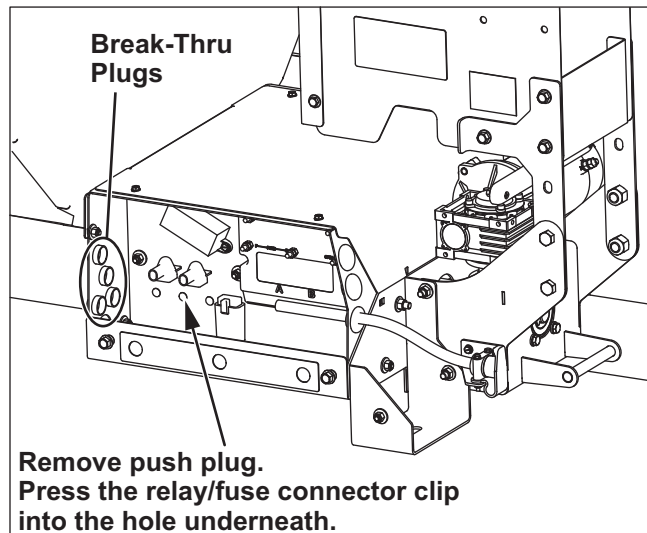
**NOTE: The 0.7 yd<sup>3</sup> hopper spreader has knockouts in the end cap for use instead of drilled holes.**



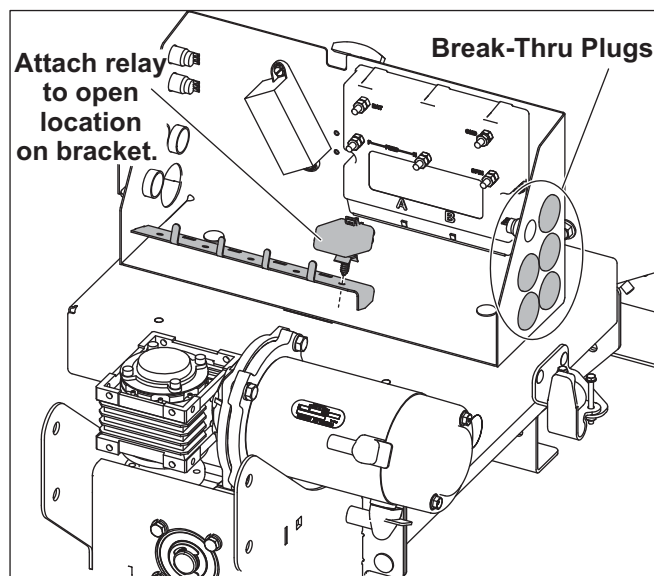
Install the work light and break-thru plug to the mounting plate. Pass the electrical connector through the provided break-thru plug and connect to the provided wiring harness. Install the harness into the 1-1/4" hole, then install the mounting plate to cover the two drilled holes.

7. Cut a hole in one of the break-thru plugs and feed the harness into the enclosure. The hole should be sized to form a tight seal around the harness.

**Full-Size HELIXX™ Spreader**



**0.35 yd<sup>3</sup> & 0.7 yd<sup>3</sup> HELIXX Spreaders**



**Electrical enclosure covers and relay/fuse assembly wires not shown.**

8. Plug the work light harness connector into the remaining matching connector on the relay/fuse assembly harness that powers the primary work light. (One relay/fuse harness assembly can power two work lights.)

Copyright © 2020 Douglas Dynamics, LLC. All rights reserved. This material may not be reproduced or copied, in whole or in part, in any printed, mechanical, electronic, film, or other distribution and storage media, without the written consent of the company. Authorization to photocopy items for internal or personal use by the company's outlets or spreader owner is granted.

The company reserves the right under its product improvement policy to change construction or design details and furnish equipment when so altered without reference to illustrations or specifications used. This equipment manufacturer or the vehicle manufacturer may require or recommend optional equipment for spreaders. Do not exceed vehicle ratings with a spreader. The company offers a limited warranty for all spreaders and accessories. See separately printed page for this important information. The following is an unregistered (™) trademark of Douglas Dynamics, LLC: HELIXX™.

**Printed in U.S.A.**

---