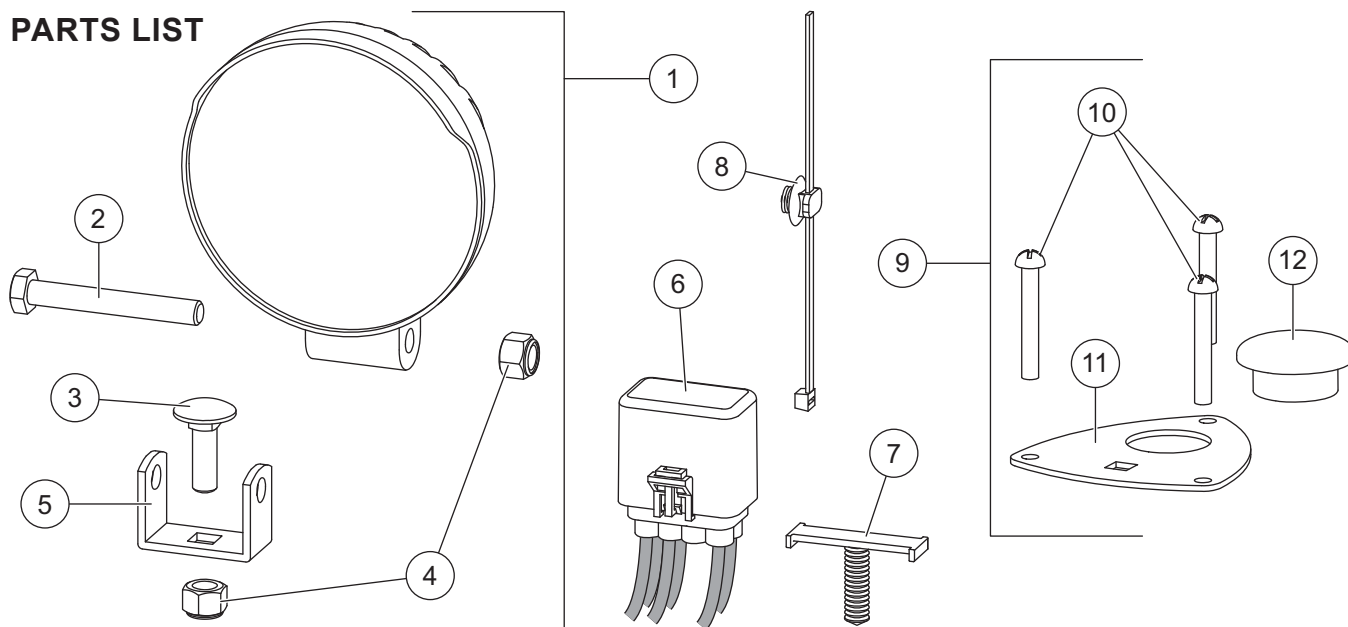


Work Light Kit

HELIXX™ Stainless Steel Hopper Spreaders with FLEET FLEX Electrical System

PARTS LIST



85486 Work Light Kit							
Item	Part	Qty	Description	Item	Part	Qty	Description
1	78377	1	LED Work Light	ns	78386	1	Harness Assembly – 72"
2		1	5/16-18 x 2 Hex Cap Screw	7		4	Bundling Clip
3		1	5/16-18 x 1-1/4 Carriage Bolt	8		4	Fir Tree Mount w/Cable Tie
4		2	5/16-18 Locknut	9	78562	1	Work Light Mounting Kit
5		1	Mounting Clip	ns		10	Cable Tie – 15"
6	78381	1	Harness & Relay/Fuse Assembly*				
Item 9				78562 Work Light Mounting Kit			
10		3	#10 x 1-1/2 Pan Head Phillips Screw SS	11		1	Mounting Bracket – Work Light
				12	99195	1	Break-Thru Plug
ns = not shown				SS = Stainless Steel			

* Diagram shows relay/fuse assembly only.

⚠ WARNING

Do not exceed GVWR or GAWR ratings as found on the driver-side vehicle door cornerpost.

⚠ CAUTION

Read this document before installing the work light kit.

⚠ CAUTION

Use standard methods and practices when attaching spreader and installing accessories, including proper personal protective safety equipment.

INSTALLATION INSTRUCTIONS

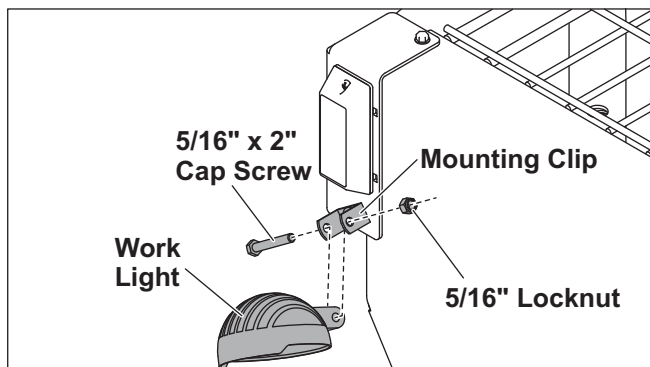
The work light relay/fuse assembly will be installed to the existing electrical enclosure.

1. Park the vehicle on a smooth, level, hard surface, such as concrete. Turn the vehicle ignition to the "OFF" position and remove the key.

⚠ CAUTION

Before drilling any holes, check both sides of the material for any wires, fuel lines, fuel tanks, etc., that may be damaged by drilling.

2. The illustrations below show the work light being mounted to a previously installed strobe light bracket. The work light can be installed in a different location by drilling a 13/32" hole for installing the work light mounting clip. Install the mounting clip in the desired location using the supplied 5/16" x 1-1/4" carriage bolt and 5/16" locknut.
3. Install the work light to the mounting clip using the 5/16" x 2" cap screw and 5/16" locknut, but do not fully tighten the fasteners yet.



4. Aim the light in the desired direction, then fully tighten the locknut.
5. Plug the work light harness into the matching connector on the work light.

6. Secure the work light harness:

If the work light is being mounted on an existing strobe light bracket, secure the work light harness to the strobe light harness using the supplied cable ties.

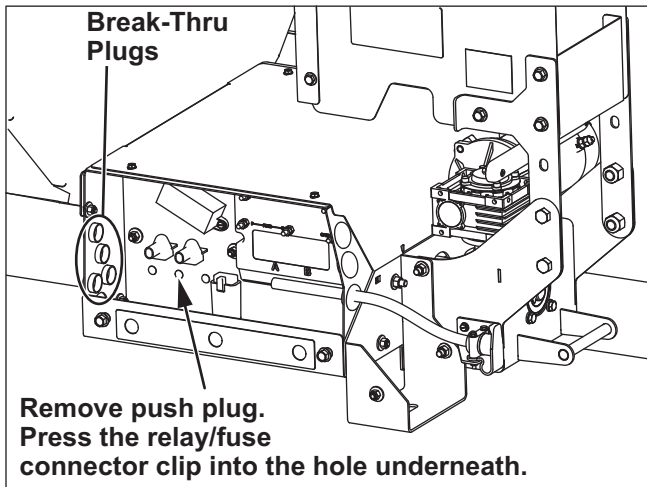
If the work light harness will not be mounted on an existing strobe light bracket, the fir tree mounts will be used to secure the harness between the light and the electrical enclosure. Drill 1/4" holes in the desired locations for attaching the fir tree mounts. Push the fir tree mounts into the holes and secure the work light harness to the hopper with the attached cable ties.

NOTE: The 0.7 yd³ hopper has knockouts in the end cap for use instead of drilled holes.

Install the work light and break-thru plug to the mounting plate. Pass the electrical connector through the provided break-thru plug and connect to the provided wiring harness. Install the harness into the 1-1/4" hole, then install the mounting plate to cover the two drilled holes.

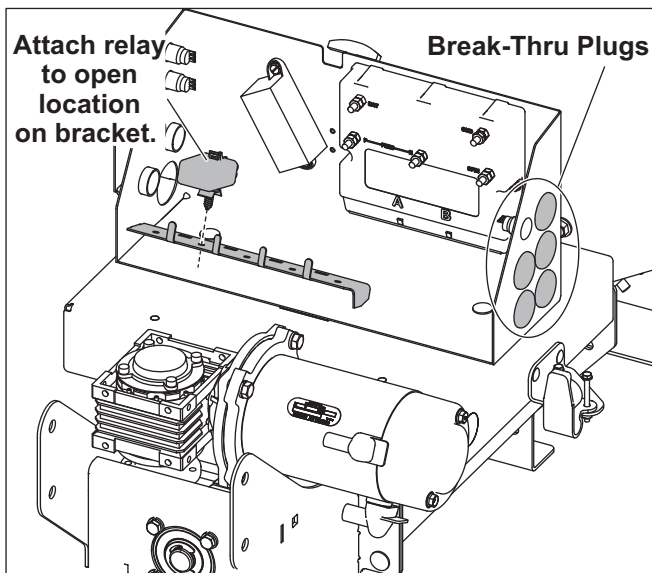
7. Cut a hole in one of the break-thru plugs and feed the harness into the enclosure. The hole should be sized to form a tight seal around the harness.

Full-Size HELIXX Spreader



8. Mount the relay/fuse assembly to the relay/fuse assembly bracket or electrical enclosure by pushing the connector clip on the back of the assembly into one of the holes in the bracket/enclosure. Secure the assembly to the bracket/enclosure using one of the supplied cable ties.
9. Plug the work light harness connector into one of the matching connectors on the relay/fuse assembly harness. (The second relay/fuse harness connector is for the optional auxiliary work light.)

0.35 & 0.7 yd³ HELIXX Spreaders



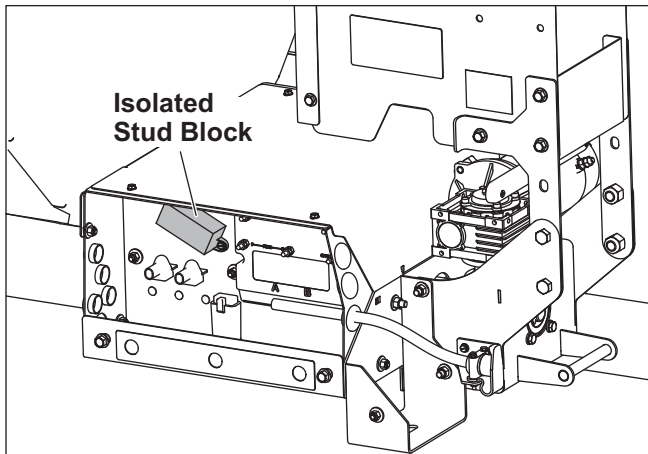
Electrical enclosure covers and relay/fuse assembly wires not shown.

10. Remove the cover from the isolated stud block. Connect the red wire from the relay/fuse assembly to the POSITIVE (+) terminal and the black wire from the relay/fuse assembly to the NEGATIVE (-) terminal inside the isolated stud block.

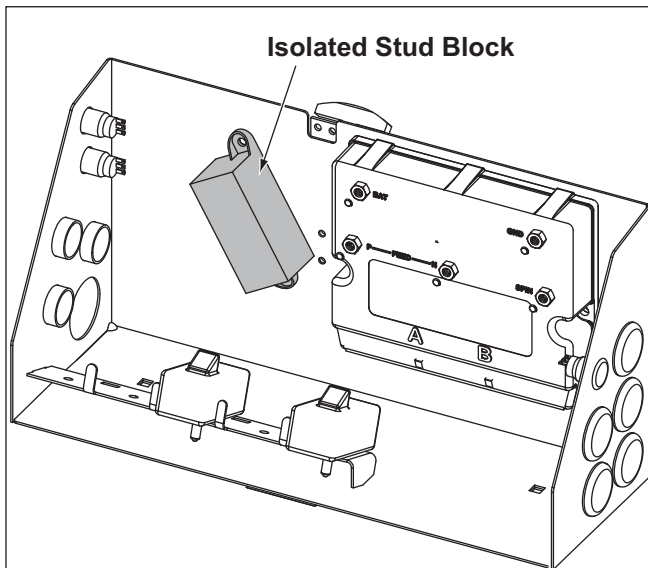
11. Replace the isolated stud block cover, being careful not to pinch any wires. On spreader installations with multiple accessories, it may be necessary to notch the sides of the isolated stud block cover to accommodate all the wires.

12. Connect the single-pin terminal on the relay/fuse assembly harness (yellow wire) to the gray wire coming from port A of the spreader module.

Full-Size HELIXX™ Spreader



Stainless Steel Hopper Spreader (0.35 & 0.7 yd³)



Copyright © 2020 Douglas Dynamics, LLC. All rights reserved. This material may not be reproduced or copied, in whole or in part, in any printed, mechanical, electronic, film, or other distribution and storage media, without the written consent of the company. Authorization to photocopy items for internal or personal use by the company's outlets or spreader owner is granted.

The company reserves the right under its product improvement policy to change construction or design details and furnish equipment when so altered without reference to illustrations or specifications used. This equipment manufacturer or the vehicle manufacturer may require or recommend optional equipment for spreaders. Do not exceed vehicle ratings with a spreader. The company offers a limited warranty for all spreaders and accessories. See separately printed page for this important information. The following is an unregistered (™) trademark of Douglas Dynamics, LLC: HELIXX™.