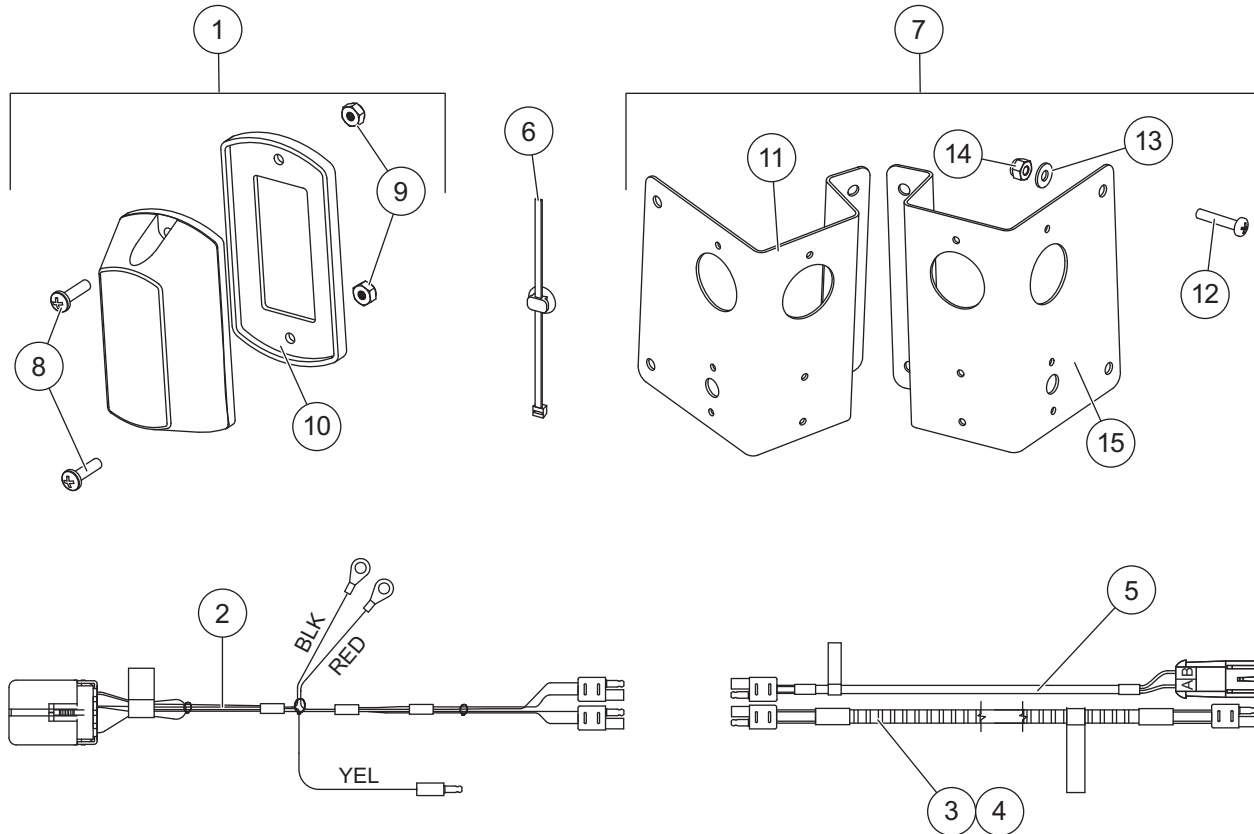


Strobe Light Kit

VX-Model and HELIX™ Poly Hopper Spreaders with FLEET FLEX Electrical System

PARTS LIST



83745-1 Strobe Light Kit							
Item	Part	Qty	Description	Item	Part	Qty	Description
1	78379	2	Strobe Light – LED	6	8	8	Fir Tree Mount w/Cable Tie
2	78381	1	Harness Assembly w/Relay & Fuse	7	85440	1	Bracket Kit
3	78391	1	Harness Assembly – 90"	ns		20	Cable Tie – 15.35"
4	83712	1	Harness Assembly – 24"	ns		10	Bundling Clip
5	78386	2	Harness Assembly – 72"				
Item 1				78379 Strobe Light – LED			
8		2	#6-32 x 5/8 Machine Screw SS	10		1	Strobe Light Gasket
9		2	#6-32 Locknut SS			1	Strobe Light – LED
Item 7				85440 Bracket Kit			
11		1	Strobe Light Bracket – DS	13		8	#10 Flat Washer Type A SS
12		2	#10-32 x 1 Phillips Pan Head Screw SS (pkg of 4)	14		8	#10-32 Hex Locknut GB SS
				15		1	Strobe Light Bracket – PS
			ns = not shown				G = Grade
							SS = Stainless Steel

INSTALLATION INSTRUCTIONS

⚠ WARNING

Do not exceed GVWR or GAWR ratings as found on the driver-side vehicle door cornerpost.

⚠ CAUTION

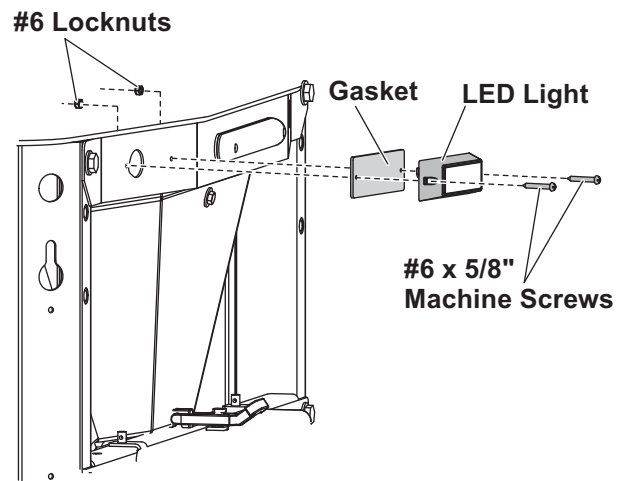
Read this document before installing the strobe light kit.

⚠ CAUTION

Use standard methods and practices when attaching spreader and installing accessories, including proper personal protective safety equipment.

Install Strobe Lights for VX-Model Poly Hopper Spreaders

1. Park the vehicle on a smooth, level, hard surface, such as concrete. Turn the vehicle ignition to the "OFF" position and remove the key.
2. Feed the electrical connector and leads from one of the LED strobe lights through the large hole in one side of the upper rear frame member or mounting bracket. Install the LED light and gasket to the frame using the supplied #6 x 5/8" machine screws and #6 locknuts. Repeat with the other LED light and gasket on the other side.



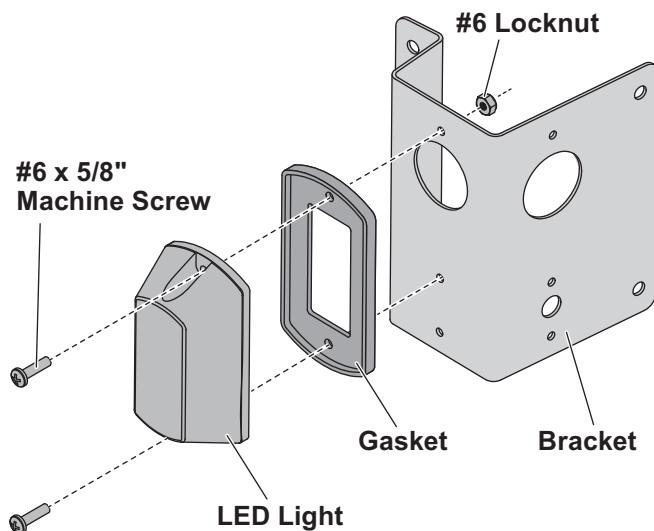
⚠ CAUTION

Before drilling holes, check to be sure that no vehicle wiring or other components could be damaged.

If the round holes for the strobe lights are not present, use the template on page 7 to locate and drill the holes.

Install Strobe Lights for HELIXX™ Poly Hopper Spreaders

1. Park the vehicle on a smooth, level, hard surface, such as concrete. Turn the vehicle ignition to the "OFF" position and remove the key.
2. Feed the electrical connector and leads from one of the LED strobe lights through the large hole in the gasket and one side of the light bracket. Install the LED light and gasket to the bracket using the supplied #6 x 5/8" machine screws and #6 locknuts. Repeat with the other LED light, gasket, and bracket.



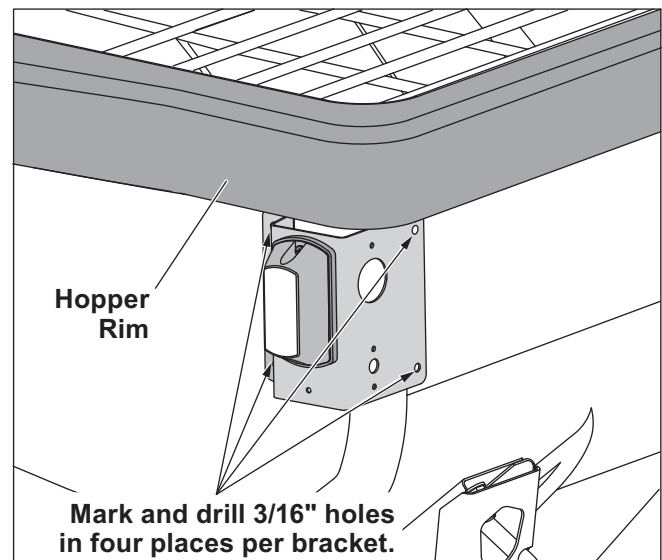
3. Position the bracket with light at the top outside corner of the hopper, below the rim as shown in Step 5. Make sure that the bracket is oriented so that the large hole is closer to the rim.

4. Using the bracket as a template, mark the location of the mounting holes on the hopper (two on the side and two on the back wall).

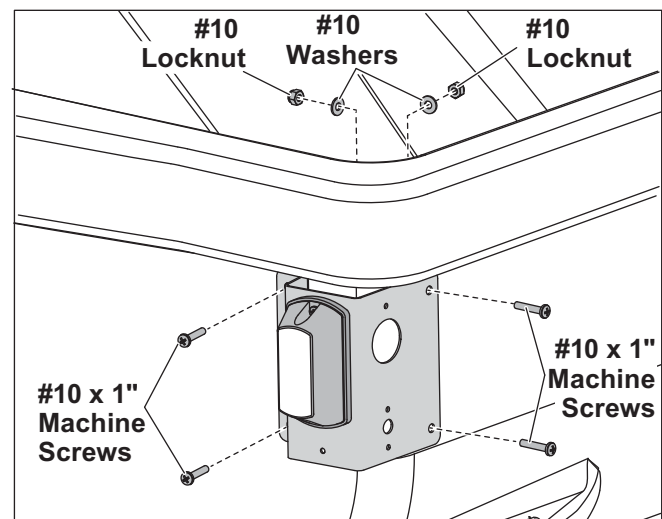
⚠ CAUTION

Before drilling holes, check to be sure that no vehicle wiring or other components could be damaged.

5. Drill through the hopper at the locations marked in Step 4, using a 3/16" drill bit.



6. Install the bracket to the hopper using the supplied #10 x 1" machine screws, #10 washers, and #10 locknuts.



7. Repeat Steps 3–6 on the other side.

Electrical Connections for VX-Model and HELIXX™ Poly Hopper Spreaders

NOTE: Use dielectric grease on all electrical connections.

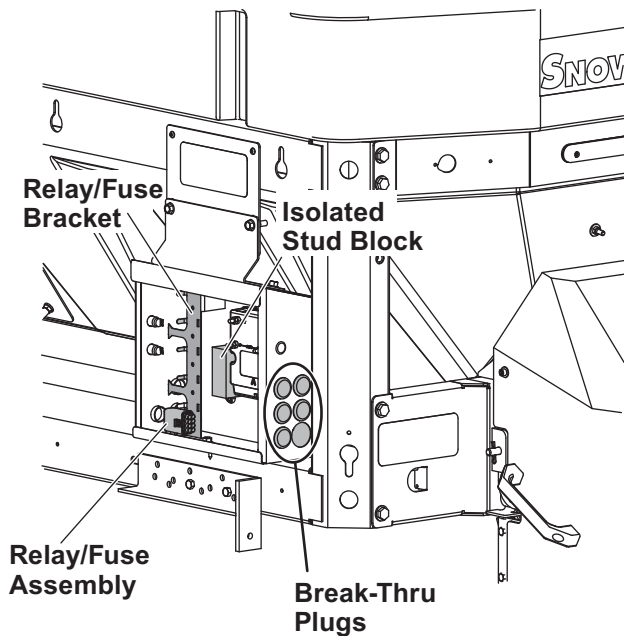
1. Connect a 72" harness to each of the strobe light leads. Use extension harnesses as needed to route the harnesses into the electrical enclosure.

⚠ CAUTION

Before drilling holes, check to be sure that no vehicle wiring or other components could be damaged.

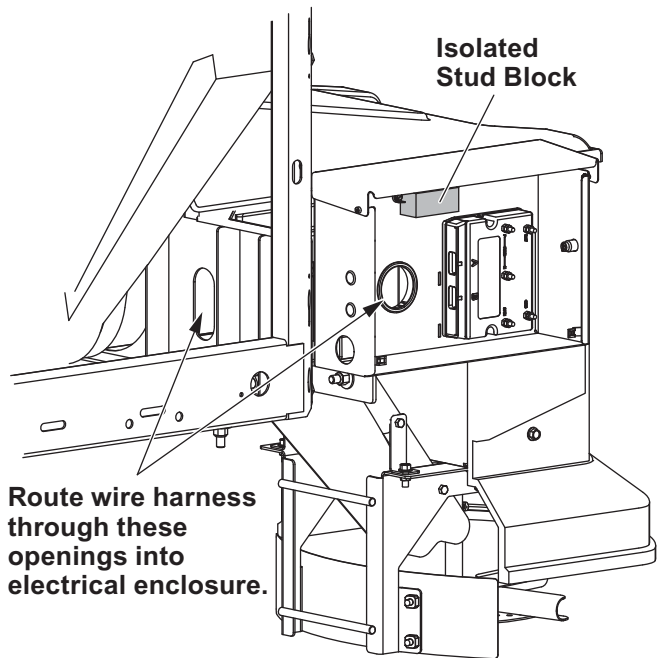
2. Secure the strobe light harnesses to existing wiring along the spreader frame with cable ties, or drill 1/4" holes and use the fir tree mounts to secure the harnesses to the frame.

VX-XX00 Poly Hopper Models: Cut holes in two of the break-thru plugs and feed the harnesses into the enclosure. The holes should be sized to form a tight seal around the harness.



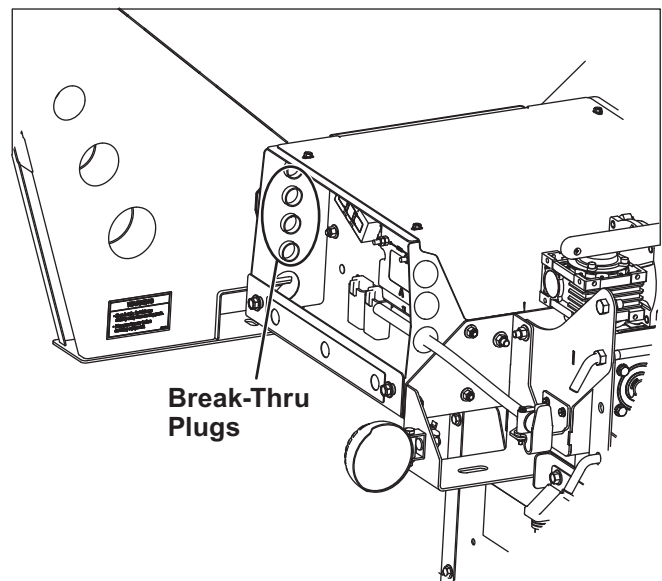
Electrical enclosure covers and harness wires not shown.

VX-XX10 Poly Hopper Models: Route the harnesses through the openings shown below and into the electrical enclosure.



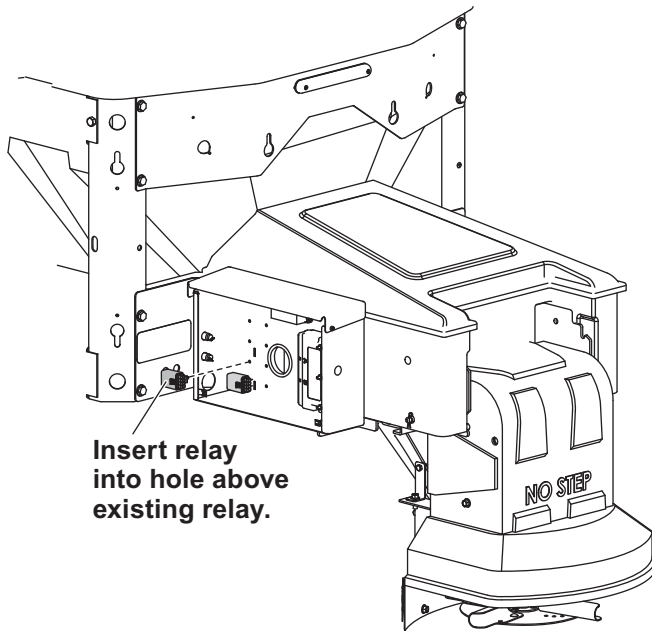
Route wire harness through these openings into electrical enclosure.

HELIXX Poly Hopper Spreaders: Cut holes in two of the break-thru plugs and feed the harnesses into the enclosure. The holes should be sized to form a tight seal around the harness.



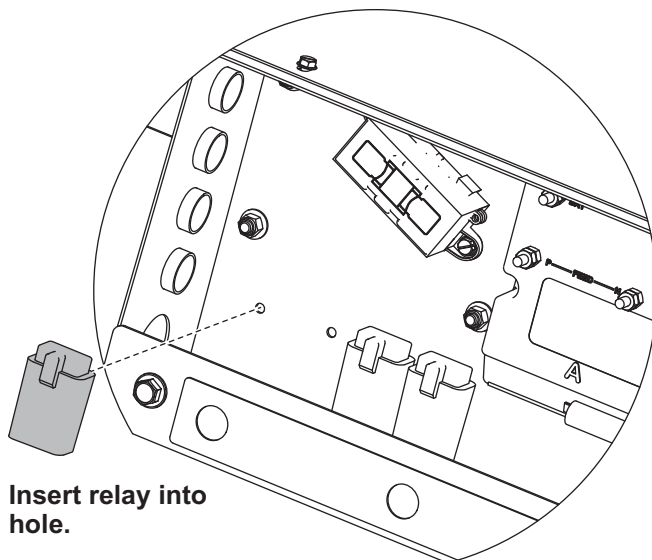
3. Mount the relay/fuse assembly to the relay/fuse assembly bracket by pushing the connector clip on the back of the assembly into one of the holes in the bracket.

For VX-Model Poly Hopper Spreaders:



4. Plug the strobe light harness connectors into the matching connectors on the relay/fuse assembly harness.
5. Remove the cover from the isolated stud block and connect the relay/fuse assembly harness red wire to the POSITIVE (+) terminal and the black wire to the NEGATIVE (-) terminal. Replace the cover, being careful not to pinch any wires. On spreader installations with multiple accessories, it may be necessary to notch the sides of the isolated stud block cover to accommodate all the wires.
6. Connect the single-pin terminal on the relay/fuse assembly harness (yellow wire) to the white wire coming from Port A of the spreader module.

For HELIXX™ Poly Hopper Spreaders:



Strobe Light Operation

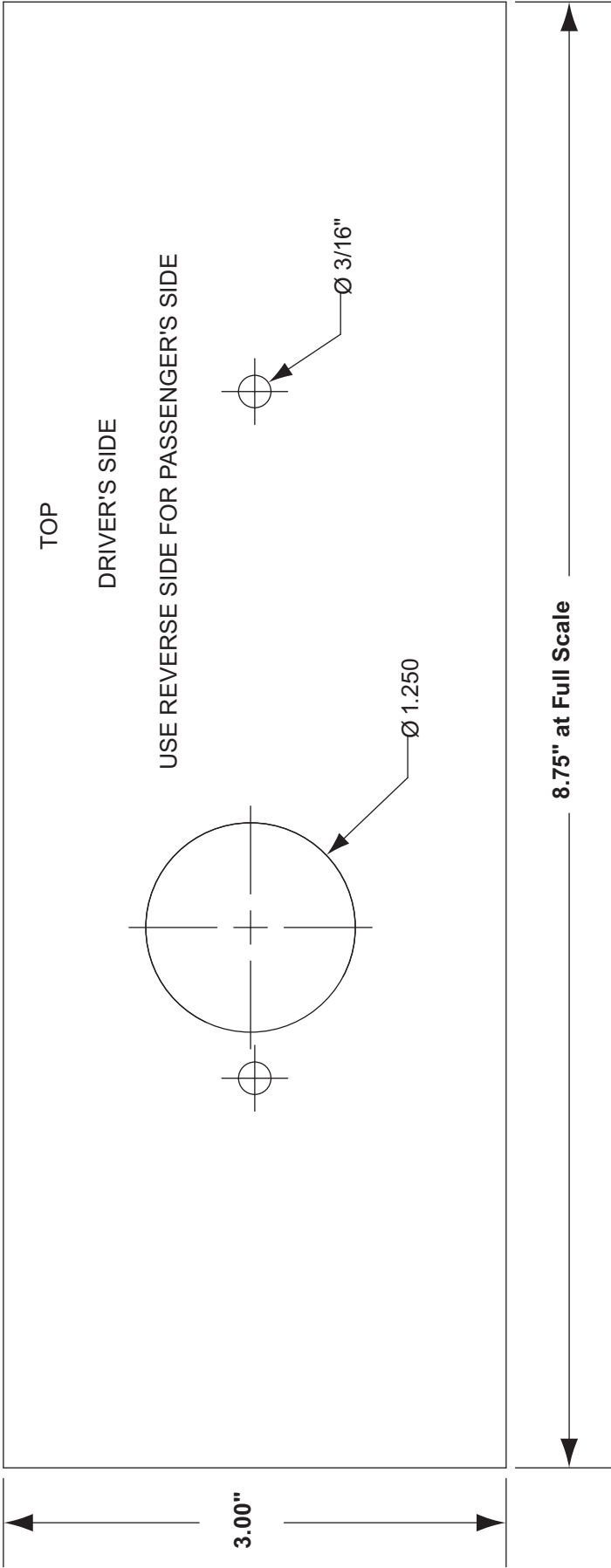
The strobe light comes with a pre-set flash pattern. In some instances, it is possible for this default pattern to change to a "Steady ON" mode. Should this occur, the flash pattern can be changed to any of 11 flash patterns listed in the table shown at right.

1. On the back of the strobe light, cut the wire seal off the yellow wire and strip 1/4" of insulation.
2. With the strobe ON, intermittently apply 12V from the vehicle power supply to the yellow wire until the strobe achieves the desired flash pattern.
3. Reseal the yellow wire.

MODE	PATTERN
0	Random
1	Steady
2	Single
3	Mega
4	Double
5	Triple
6	Quad
7	Quint
8	8 Flash
9	Single-Quad
10	Single H/L
11	Single-Triple-Quint

NOTE: The white wire is not used.

TEMPLATE



Copyright © 2021 Douglas Dynamics, LLC. All rights reserved. This material may not be reproduced or copied, in whole or in part, in any printed, mechanical, electronic, film, or other distribution and storage media, without the written consent of the company. Authorization to photocopy items for internal or personal use by the company's outlets or spreader owner is granted.

The company reserves the right under its product improvement policy to change construction or design details and furnish equipment when so altered without reference to illustrations or specifications used. This equipment manufacturer or the vehicle manufacturer may require or recommend optional equipment for spreaders. Do not exceed vehicle ratings with a spreader. The company offers a limited warranty for all spreaders and accessories. See separately printed page for this important information. The following is an unregistered (™) trademark of Douglas Dynamics, LLC: HELIXX™.

Printed in U.S.A.
