

INSTALLATION INSTRUCTIONS

⚠ WARNING

Do not exceed GVWR or GAWR ratings as found on the driver-side vehicle door cornerpost.

⚠ CAUTION

Read this document before installing the vibrator kit.

⚠ CAUTION

Use standard methods and practices when attaching spreader and installing accessories, including proper personal protective safety equipment.

⚠ CAUTION

Contact with a vibrating surface can cause numbness, tingling, and loss of dexterity. Users should take breaks and wear gloves to limit vibrating exposure.

VIBRATOR INSTALLATION

The vibrator relay/fuse assembly will be installed in the existing electrical enclosure. The vibrator is mounted on the front passenger's side set of inverted V mounting bolts. We recommend not installing two working vibrators on the same side of the hopper or directly opposite each other.

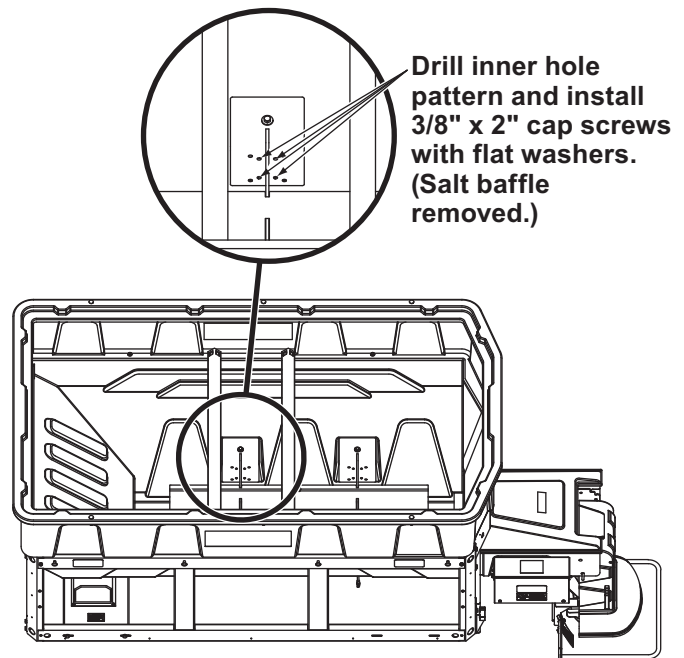
1. Park the vehicle on a smooth, level, hard surface, such as concrete. Turn the vehicle ignition to the "OFF" position and remove the key.

⚠ CAUTION

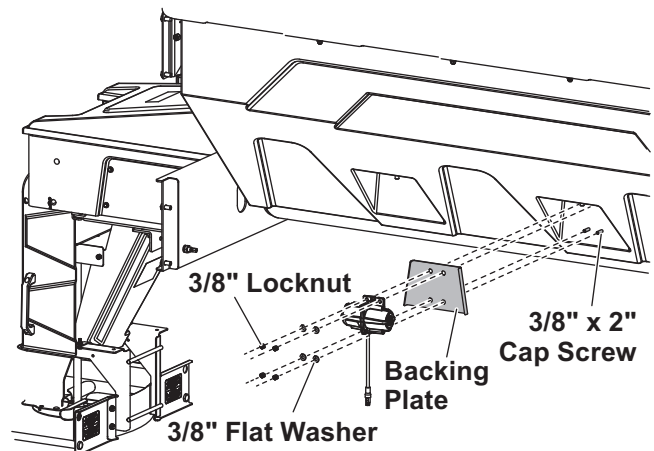
Before drilling any holes, check both sides of the material for any wires, fuel lines, fuel tanks, etc., that may be damaged by drilling.

2. VX-6010 models:

Inside the hopper, remove the salt baffle on the inverted V to access the inner mounting plate. Use the inner hole pattern on the front passenger's side inverted V plate to drill four 7/16" bolt holes through the hopper. Install four 3/8" x 2" cap screws with 3/8" flat washers into the drilled holes.



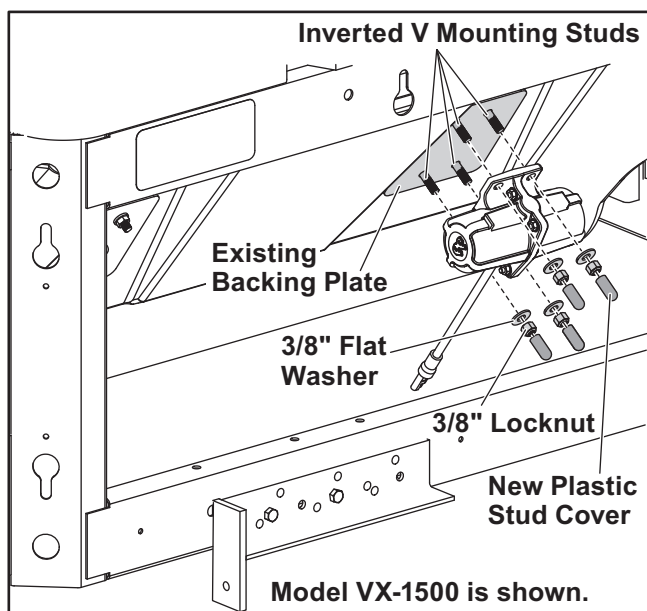
Assemble the backing plate and the vibrator onto the cap screws. Secure with 3/8" flat washers and 3/8" locknuts. Reinstall the salt baffle.



NOTE: If the existing vertical 1/2" inverted V mounting bolt interferes with the vibrator, replace it with the 1/2" x 1-1/2" cap screw from the kit.

All models except VX-6010:

Remove the four plastic stud covers and 3/8" flange nuts from the inverted V mounting studs on the front passenger's side. From inside the hopper, remove the existing bolt plate with studs and replace it with the one from the kit. Reinstall the existing backing plate onto the studs. Place the vibrator on the studs and secure with the new 3/8" locknuts and flat washers. Trim and install new plastic stud covers.



NOTE: Use dielectric grease on all electrical connections.

3. Connect the two extension harnesses to the vibrator lead and route the harness along the frame to the electrical enclosure.
4. Install fir tree mounts into the 1/4" holes along the frame and secure the harness using the fir tree mount cable ties, or use cable ties to secure the harness to an existing harness.

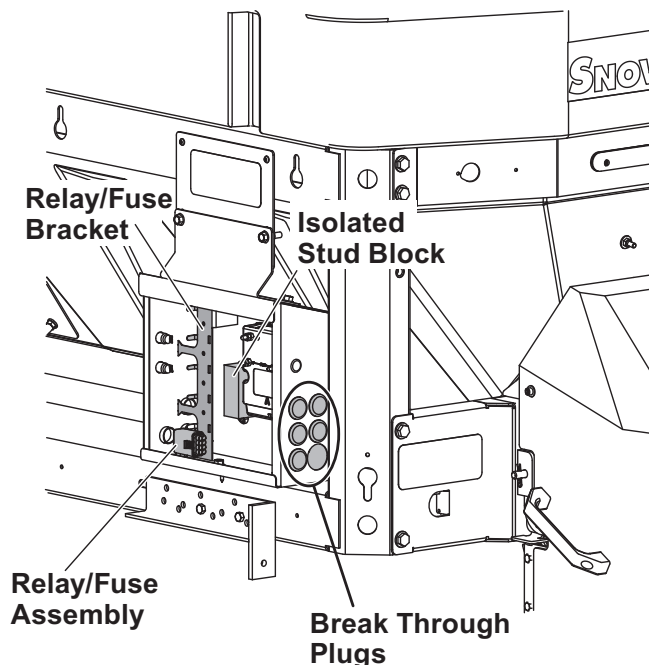
⚠ CAUTION

Before drilling any holes, check both sides of the material for any wires, fuel lines, fuel tanks, etc., that may be damaged by drilling.

An additional fir tree mount is supplied for use if needed. Drill a 1/4" hole at the desired location to install the additional fir tree mount.

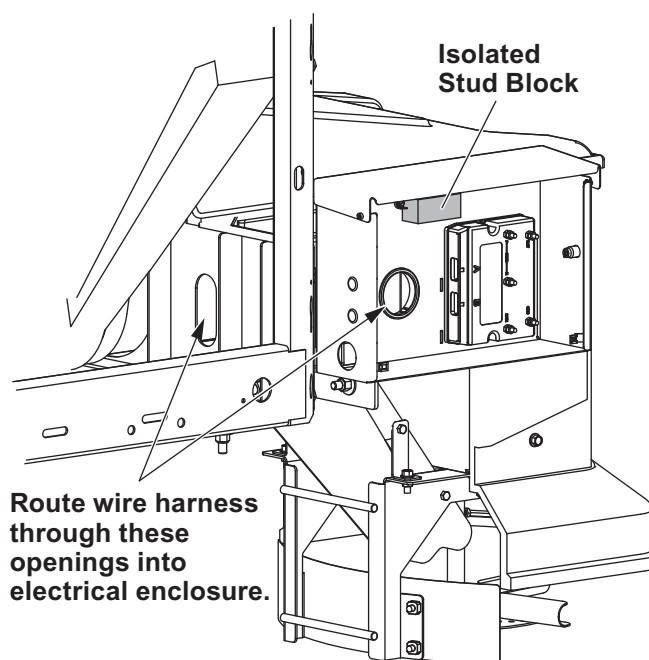
ELECTRICAL CONNECTIONS

1. **VX-XX00 models:** Cut a hole in one of the break through plugs and feed the harness into the enclosure. The hole should be sized to form a tight seal around the harness.

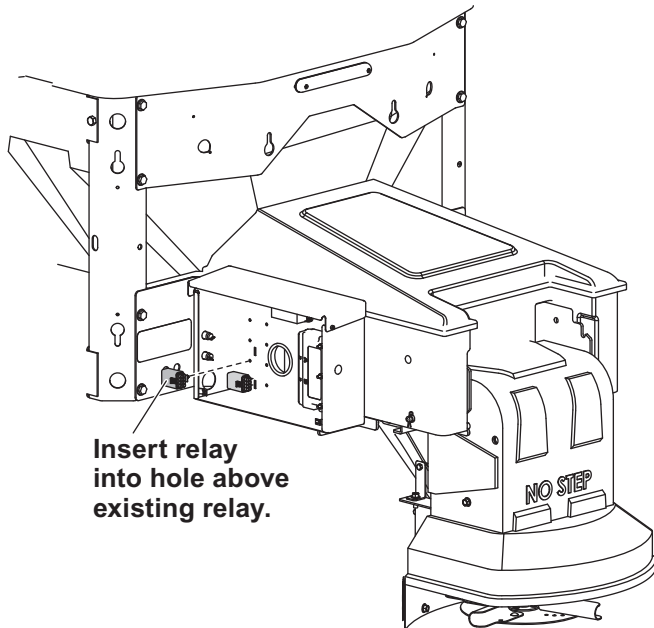


Electrical enclosure covers and relay/fuse assembly wires not shown.

VX-XX10 models: Route the harness through the openings shown into the electrical enclosure.



2. Mount the relay/fuse assembly to the relay/fuse assembly bracket or enclosure by pushing the connector clip on the back of the assembly into one of the holes in the bracket or enclosure.



3. Plug the vibrator extension harness 2-pin connector into the relay/fuse harness assembly.

4. Remove the cover from the isolated stud block. Connect the red wire from the relay/fuse assembly harness to the POSITIVE (+) terminal and the black wire to the NEGATIVE (-) terminal of the isolated stud block.
5. Replace the isolated stud block cover, being careful not to pinch any wires. (On spreader installations with multiple accessories, it may be necessary to notch the sides of the isolated stud block cover to accommodate all the wires.)
6. Disconnect the existing vibrator relay/fuse harness from the blue module wire. Cut the male bullet connectors off both vibrator relay/fuse harness blue wires. Crimp the wires together in the supplied bullet connector. Heat shrink the connector and plug it into the blue module wire.

Copyright © 2017 Douglas Dynamics, LLC. All rights reserved. This material may not be reproduced or copied, in whole or in part, in any printed, mechanical, electronic, film, or other distribution and storage media, without the written consent of the company. Authorization to photocopy items for internal or personal use by the company's outlets or spreader owner is granted.

The company reserves the right under its product improvement policy to change construction or design details and furnish equipment when so altered without reference to illustrations or specifications used. This equipment manufacturer or the vehicle manufacturer may require or recommend optional equipment for spreaders. Do not exceed vehicle ratings with a spreader. The company offers a limited warranty for all spreaders and accessories. See separately printed page for this important information.

Printed in U.S.A.