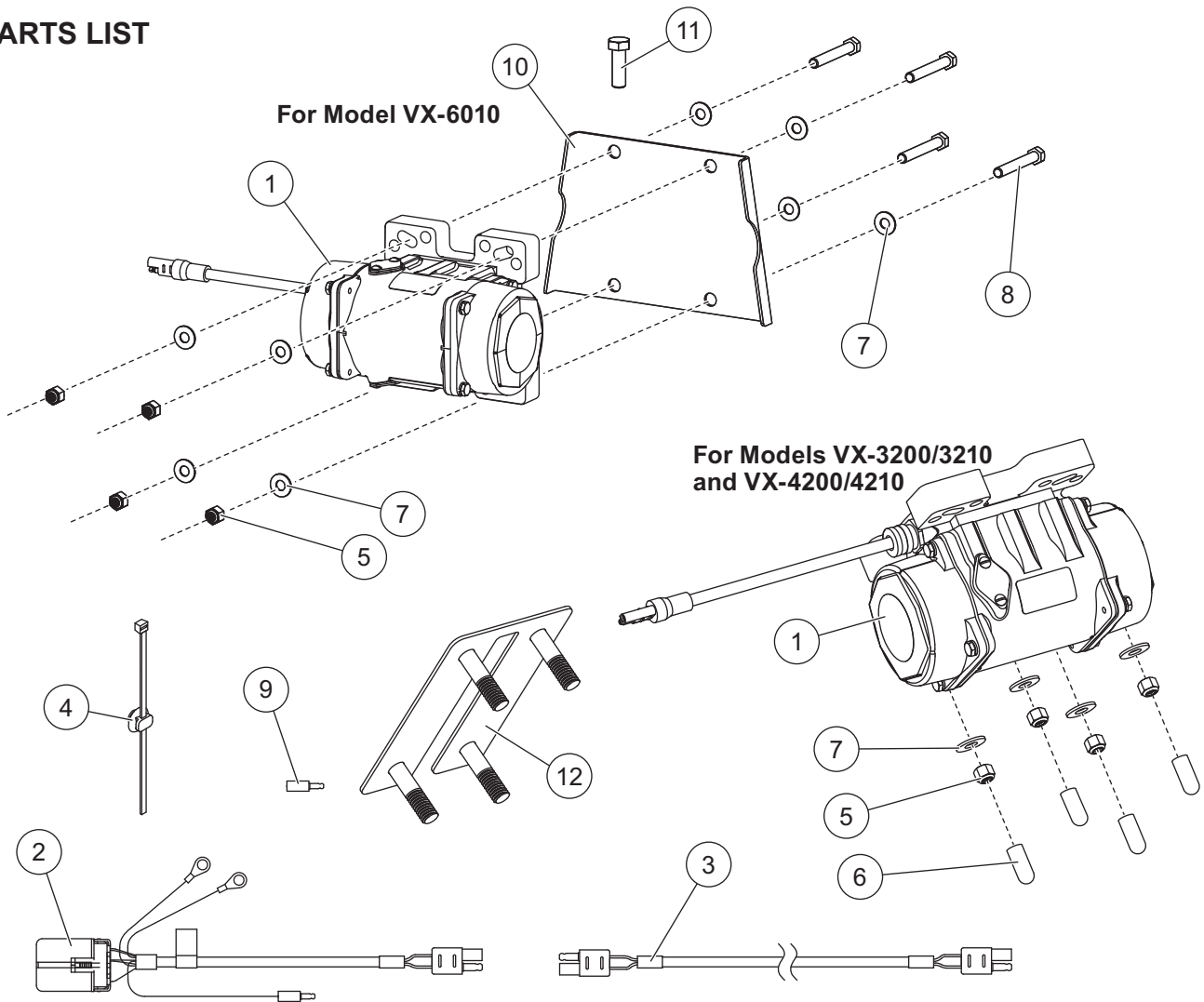


Vibrator Kit DC-400

Hopper Spreaders with FLEET FLEX Electrical System

PARTS LIST



83744 Vibrator Kit							
Item	Part	Qty	Description	Item	Part	Qty	Description
1	83770	1	Vibrator, DC-400	8	F30007	4	3/8-16 x 2-3/4 Hex Cap Screw SS
2	78382	1	Relay/Fuse Harness Assembly	9	83794	1	Bullet Connector
3	78391	2	Harness Assy – Vibrator Extension	10	D6860	1	Inverted V Backing Plate
4		4	Fir Tree Mount w/Cable Tie	11	F52031	1	1/2-13 x 1-1/2 Hex Cap Screw SS
5	T30728	4	3/8-16 Locknut SS	12	57306	1	Bolt Plate
6	T30820	4	Plastic Stud Cover	ns	61536	10	Cable Tie – Long
7	D6169	8	3/8 Flat Washer SS				
			ns = not shown				SS = Stainless Steel

INSTALLATION INSTRUCTIONS

⚠ WARNING

Do not exceed GVWR or GAWR ratings as found on the driver-side vehicle door cornerpost.

⚠ CAUTION

Read this document before installing the vibrator kit.

⚠ CAUTION

Use standard methods and practices when attaching spreader and installing accessories, including proper personal protective safety equipment.

⚠ CAUTION

Contact with a vibrating surface can cause numbness, tingling, and loss of dexterity. Users should take breaks and wear gloves to limit vibrating exposure.

VIBRATOR INSTALLATION

VX-6010 Models:

The vibrator relay/fuse assembly will be installed in the existing electrical enclosure. The DC-400 vibrator can be installed on the front passenger's side inverted V mount plate. It can also be installed in place of the existing vibrator, which can be moved to the front passenger's side mounting plate. We recommend not installing two working vibrators on the same side of the hopper, or directly opposite each other.

1. Park the vehicle on a smooth, level, hard surface, such as concrete. Turn the vehicle ignition to the "OFF" position and remove the key.

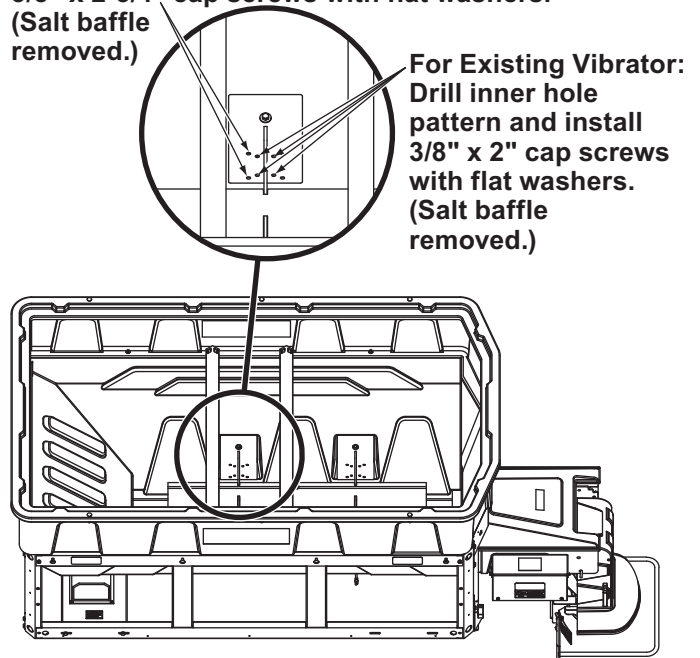
⚠ CAUTION

Before drilling any holes, check both sides of the material for any wires, fuel lines, fuel tanks, etc., that may be damaged by drilling.

2. Inside the hopper, remove the salt baffle on the inverted V to access the inner mounting plates. For the DC-400 vibrator, use the outer hole pattern on the inverted V plate to drill four 7/16" bolt holes through the hopper. Install four 3/8" x 2-3/4" cap screws with 3/8" flat washers into the drilled holes. If moving the original vibrator, use the inner hole pattern and use the existing hardware with new locknuts.

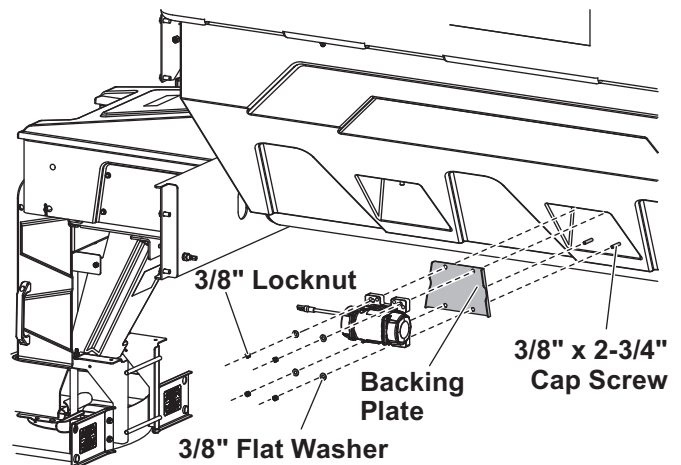
For DC-400 Vibrator:

Drill outer hole pattern and install 3/8" x 2-3/4" cap screws with flat washers. (Salt baffle removed.)



For Existing Vibrator: Drill inner hole pattern and install 3/8" x 2" cap screws with flat washers. (Salt baffle removed.)

3. Assemble the backing plate and the vibrator onto the cap screws. Secure with 3/8" flat washers and 3/8" locknuts. Reinstall the salt baffle.



NOTE: If the existing vertical 1/2" inverted V mounting bolt interferes with the vibrator, replace it with the 1/2" x 1-1/2" cap screw from the kit.

4. Connect the existing harness to the vibrator at the driver-side rear. Connect the two new extension harnesses to the vibrator on the passenger-side front and route the harness along the frame to the electrical enclosure.

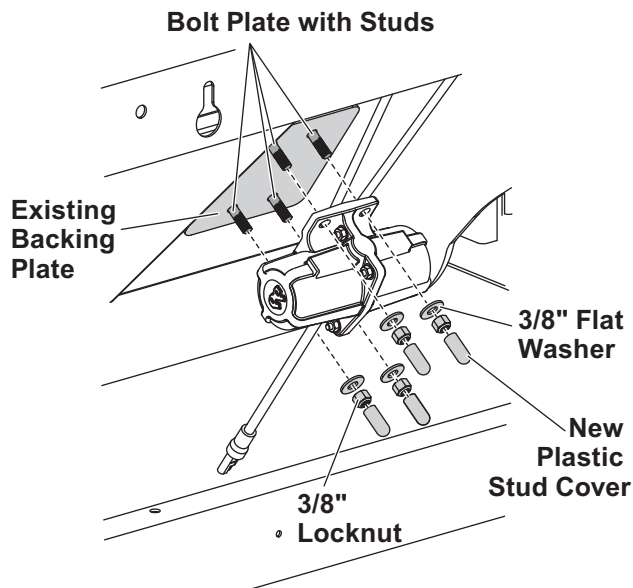
VX-3200/3210 and VX-4200/4210 Models:

The vibrator relay/fuse assembly will be installed in the existing electrical enclosure. The vibrator is mounted on the driver-side inverted V mounting studs with the large backing plate. If the existing vibrator is not to be used, simply disconnect it. If the existing vibrator is to be used with this kit, it should be moved to the front passenger-side inverted V mounting studs. We recommend not installing two working vibrators on the same side of the hopper, or directly opposite each other.

Park the vehicle on a smooth, level, hard surface, such as concrete. Turn the vehicle ignition to the "OFF" position and remove the key.

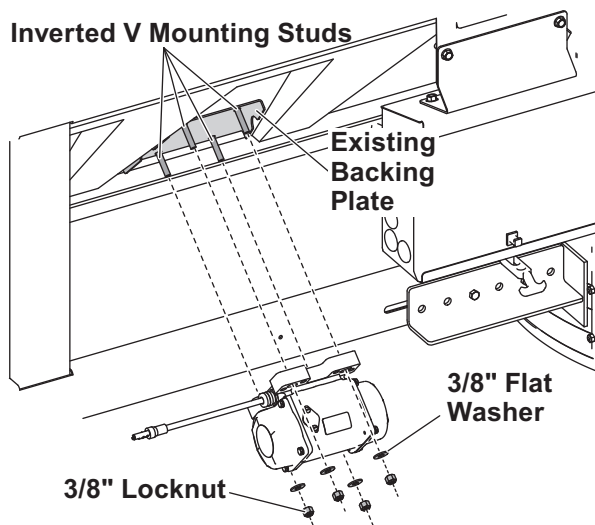
Moving the existing vibrator:

1. Disconnect the wire harness and remove the vibrator. Replace the mounting bolts with the 3/8" x 1-1/2" cap screws from the kit. Use the rest of the existing hardware to secure the inverted V.
2. Remove the four plastic stud covers and four 3/8" flange nuts from the inverted V mounting studs on the front passenger's side. From inside the hopper, remove the existing bolt plate with studs and replace it with the one from the kit. Reinstall the existing backing plate onto the studs.
3. Place the vibrator on the studs and secure with the new 3/8" locknuts and 3/8" washers. Trim and install new plastic stud covers.



Installing the DC-400 vibrator:

1. Remove the four plastic caps and four 3/8" flange nuts from the inverted V mounting studs on the driver-side middle or rear location, depending on model. Place the vibrator slots on the studs over the backing plate. Secure with the new 3/8" flat washers and 3/8" locknuts.



Model VX-4200 shown.

2. Connect the extension harness from the original vibrator to the vibrator lead. Adjust the harness as needed and secure to the frame.

NOTE: Use dielectric grease on all electrical connections.

3. Connect the two extension harnesses from the kit to the original vibrator now on the passenger's side. Route the harness along the frame to the electrical enclosure.

All Models:

CAUTION

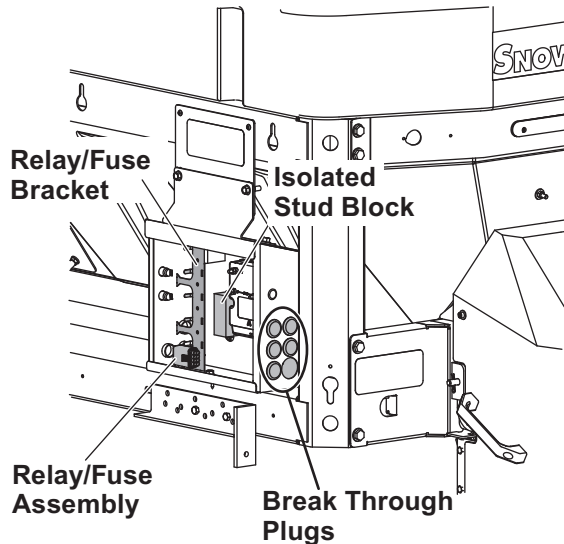
Before drilling any holes, check both sides of the material for any wires, fuel lines, fuel tanks, etc., that may be damaged by drilling.

1. Install fir tree mounts into the 1/4" holes along the frame and secure the harness using the fir tree mount cable ties, or use cable ties to secure the harness to an existing harness.

An additional fir tree mount is supplied for use if needed. Drill a 1/4" hole at the desired location to install the additional fir tree mount.

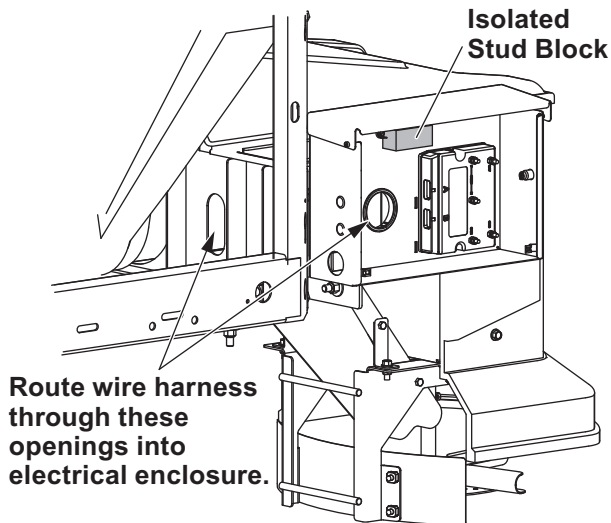
ELECTRICAL CONNECTIONS

1. **VX-XX00 models:** Cut a hole in one of the break through plugs and feed the harness into the enclosure. The hole should be sized to form a tight seal around the harness.



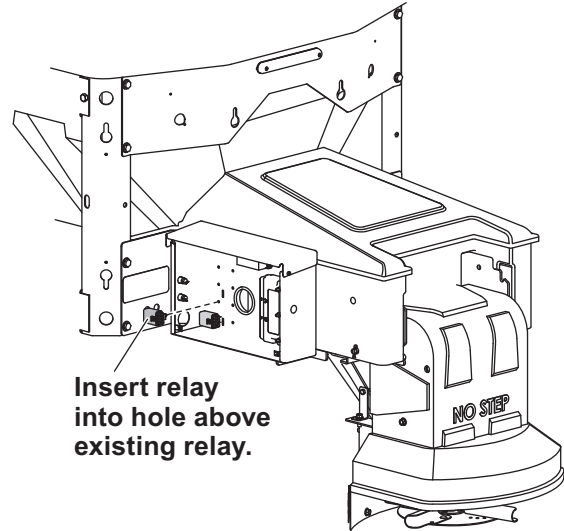
Electrical enclosure covers and relay/fuse assembly wires not shown.

VX-XX10 models: Route the harness through the openings shown into the electrical enclosure.



Route wire harness through these openings into electrical enclosure.

2. Mount the relay/fuse assembly to the relay/fuse assembly bracket or enclosure by pushing the connector clip on the back of the assembly into one of the holes in the bracket or enclosure.



Insert relay into hole above existing relay.

3. Plug the vibrator extension harness 2-pin connector into the relay/fuse harness assembly.
4. Remove the cover from the isolated stud block. Connect the red wire from the relay/fuse assembly harness to the POSITIVE (+) terminal and the black wire to the NEGATIVE (-) terminal of the isolated stud block.
5. Replace the isolated stud block cover, being careful not to pinch any wires. (On spreader installations with multiple accessories, it may be necessary to notch the sides of the isolated stud block cover to accommodate all the wires.)
6. Disconnect the existing vibrator relay/fuse harness from the blue module wire. Cut the male bullet connectors off both vibrator relay/fuse harness blue wires. Crimp the wires together in the supplied bullet connector. Heat shrink the connector and plug it into the blue module wire.

Copyright © 2017 Douglas Dynamics, LLC. All rights reserved. This material may not be reproduced or copied, in whole or in part, in any printed, mechanical, electronic, film, or other distribution and storage media, without the written consent of the company. Authorization to photocopy items for internal or personal use by the company's outlets or spreader owner is granted.

The company reserves the right under its product improvement policy to change construction or design details and furnish equipment when so altered without reference to illustrations or specifications used. This equipment manufacturer or the vehicle manufacturer may require or recommend optional equipment for spreaders. Do not exceed vehicle ratings with a spreader. The company offers a limited warranty for all spreaders and accessories. See separately printed page for this important information.

Printed in U.S.A.