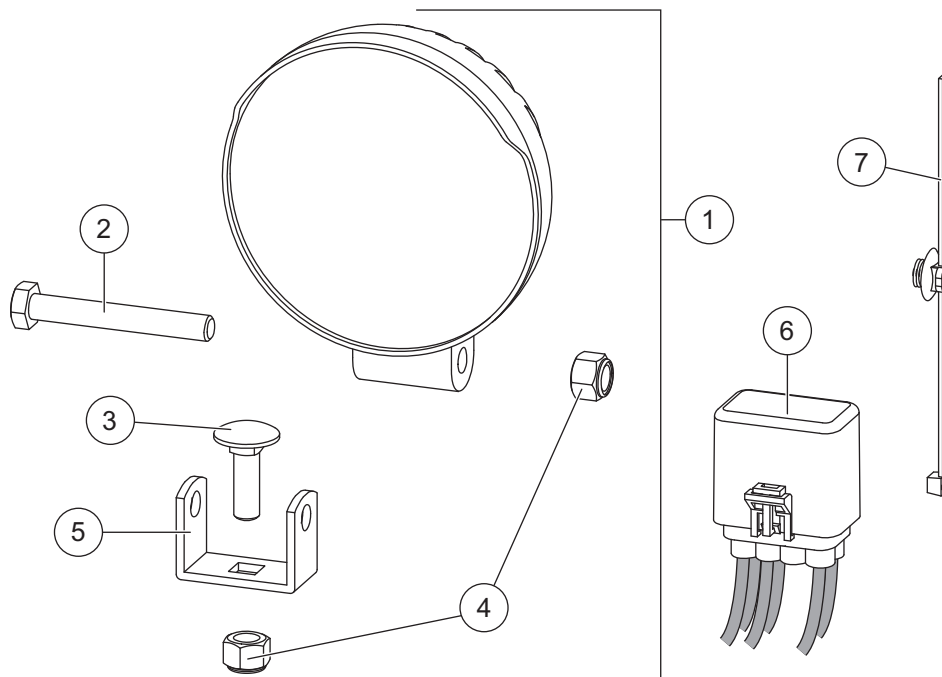


Primary Work Light Kit

Poly Hopper Spreaders with FLEET FLEX Electrical System

PARTS LIST



83740 Primary Work Light Kit							
Item	Part	Qty	Description	Item	Part	Qty	Description
1	78377	1	LED Work Light	6	78381	1	Harness & Relay/Fuse Assembly*
2		1	5/16-18 x 2 Hex Cap Screw	7		4	Fir Tree Mount w/Cable Tie
3		1	5/16-18 x 1-1/4 Carriage Bolt	ns	78378	1	Harness Assembly – 56"
4		2	5/16-18 Hex Locknut	ns		10	Cable Tie – 15"
5		1	Mounting Clip				

ns = not shown

* Diagram shows Relay/Fuse Assembly only.

⚠ WARNING

Do not exceed GVWR or GAWR ratings as found on the driver-side vehicle door cornerpost.

⚠ CAUTION

Use standard methods and practices when attaching spreader or sprayer and installing accessories, including proper personal protective safety equipment.

⚠ CAUTION

Read this document before installing the primary work light.

INSTALLATION INSTRUCTIONS

1. Park the vehicle on a smooth, level, hard surface, such as concrete. Turn the vehicle ignition to the "OFF" position and remove the key.

⚠ CAUTION

Before drilling any holes, check both sides of the material for any wires, fuel lines, fuel tanks, etc., that may be damaged by drilling.

2. **VX-XX00 models:** The work light can be mounted to an existing hole in the rear frame as shown. The work light can be installed in a different location by drilling a 13/32" hole for installing the work light mounting clip. Install the mounting clip in the desired location using the supplied 5/16" x 1-1/4" carriage bolt and 5/16" locknut.

VX-XX10 Models: Select a suitable location for the work light. Drill a 13/32" hole and install the mounting clip.

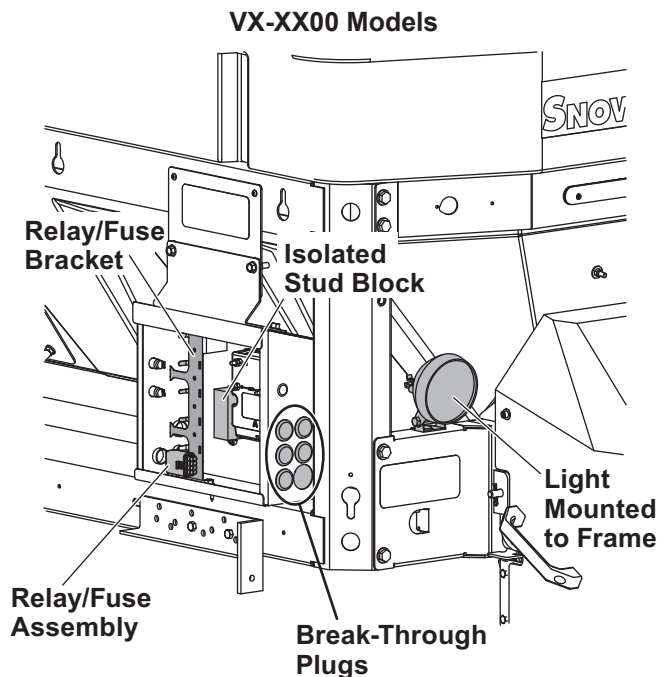
3. Assemble the work light to the mounting clip using the 5/16" x 2" cap screw and 5/16" locknut, aiming the light in the desired direction.

NOTE: Use dielectric grease on all electrical connections.

4. Plug the work light harness into the matching connector on the work light.
5. Secure the work light harness to existing wiring along the spreader frame with cable ties, or drill 1/4" holes and use the fir tree mounts to secure the harness to the frame.

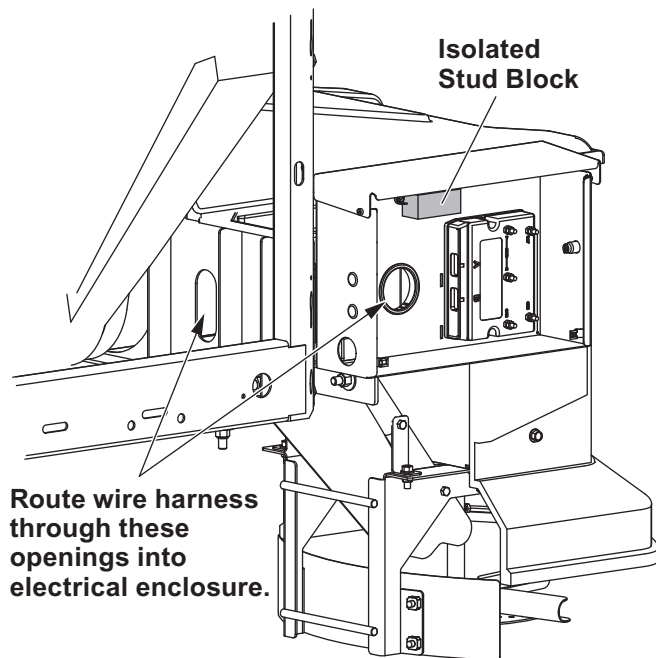
VX-XX00 models: Cut a hole in one of the break-through plugs and feed the harness into the enclosure. The hole should be sized to form a tight seal around the harness.

VX-XX10 models: Route the harness through the openings shown into the electrical enclosure.

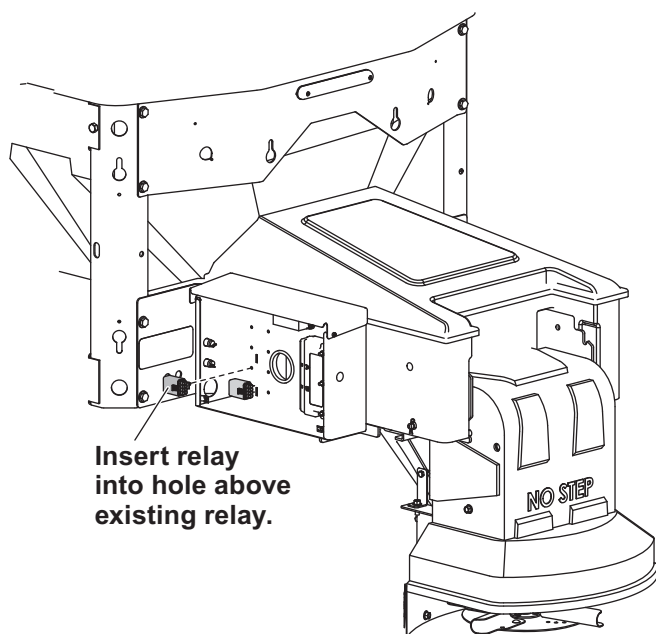


Electrical enclosure covers and relay/fuse assembly wires not shown.

6. Mount the relay/fuse assembly to the relay/fuse assembly bracket or electrical enclosure by pushing the connector clip on the back of the assembly into one of the holes in the bracket/enclosure.



7. Plug the work light harness connector into one of the matching connectors on the relay/fuse assembly harness. (The second relay/fuse harness connector is for the optional secondary work light.)
8. Remove the cover from the isolated stud block. Connect the red wire from the relay/fuse assembly to the POSITIVE (+) terminal and the black wire from the relay/fuse assembly to the NEGATIVE (-) terminal inside the isolated stud block.
9. Replace the isolated stud block cover, being careful not to pinch any wires. On spreader installations with multiple accessories, it may be necessary to notch the sides of the isolated stud block cover to accommodate all the wires.
10. Connect the single-pin terminal on the relay/fuse assembly harness (yellow wire) to the gray wire coming from Port A of the spreader module.



VX-XX10 Models

Copyright © 2017 Douglas Dynamics, LLC. All rights reserved. This material may not be reproduced or copied, in whole or in part, in any printed, mechanical, electronic, film or other distribution and storage media, without the written consent of the company. Authorization to photocopy items for internal or personal use by the company's outlets or spreader owner is granted.

The company reserves the right under its product improvement policy to change construction or design details and furnish equipment when so altered without reference to illustrations or specifications used. This equipment manufacturer or the vehicle manufacturer may require or recommend optional equipment for spreaders. Do not exceed vehicle ratings with a spreader. The company offers a limited warranty for all spreaders and accessories. See separately printed page for this important information.

Printed in U.S.A.
