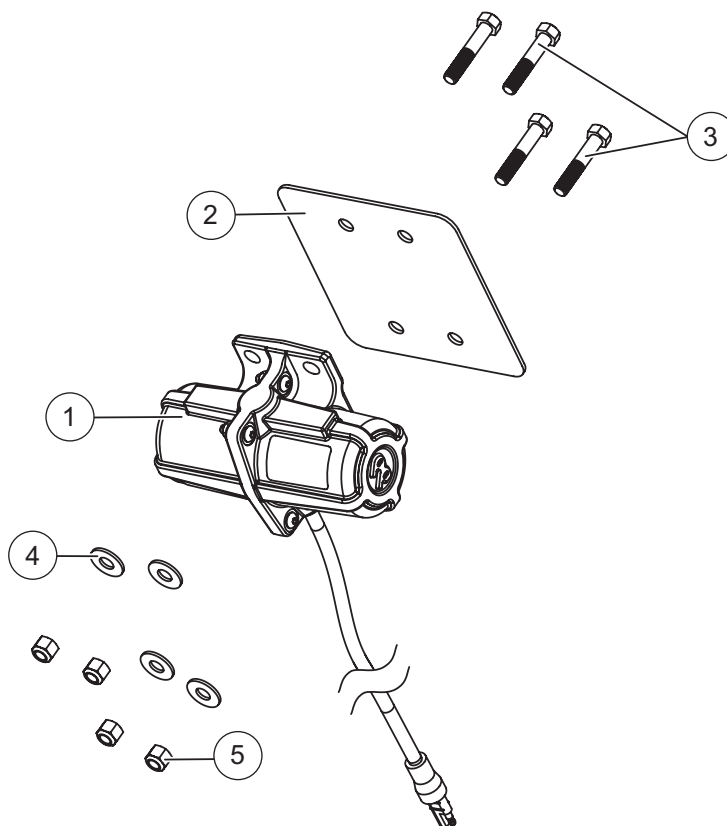


# Vibrator Kit

## SP575X-1, SP1075X-1, SP1575-1, SP1875-1

**PARTS LIST**



95059 Vibrator Kit							
Item	Part	Qty	Description	Item	Part	Qty	Description
1	D6161	1	Vibrator, DC 80 w/42" Cord	ns	78382	1	Relay/Fuse Harness Assembly
2	D5508	1	Inverted V Backing Plate	ns	79996	1	Bolt Bag – Vibrator Kit
79996 Bolt Bag – Vibrator Kit							
3		4	3/8 -16 x 1-1/2 Hex Head Bolt	5		4	3/8-16 Locknut
4		4	3/8 Flat Washer	ns	D6467	6	1/4 x 3/4 x 1/2 Retainer
			ns = not shown				SS = Stainless Steel

## INSTALLATION INSTRUCTIONS

### ⚠ WARNING

Do not exceed GVWR or GAWR ratings as found on the driver-side vehicle door cornerpost.

### ⚠ CAUTION

Read this document before installing the Vibrator Kit.

### ⚠ CAUTION

Use standard methods and practices when attaching spreader and installing accessories, including proper personal protective safety equipment.

### ⚠ CAUTION

Contact with a vibrating surface can cause numbness, tingling and loss of dexterity. Users should take breaks and wear gloves to limit vibrating exposure.

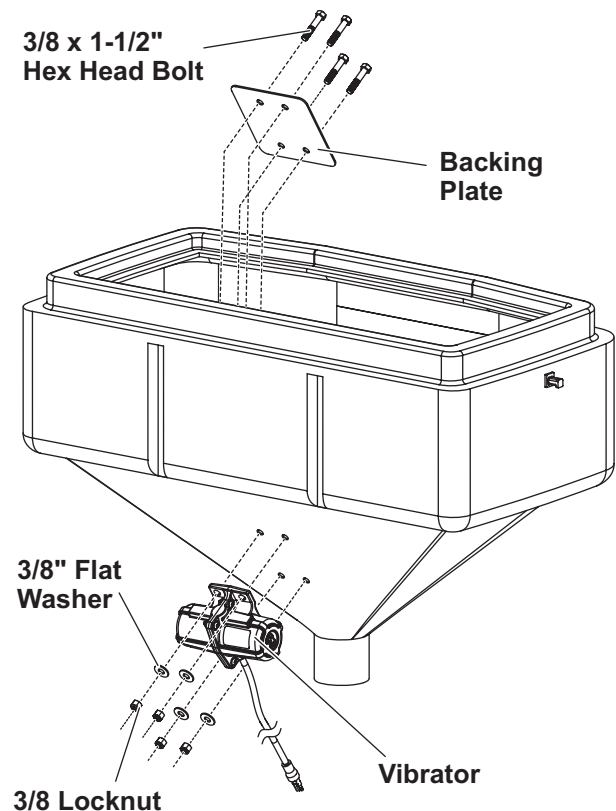
### ⚠ CAUTION

Plants can be damaged when exposed to vibrating surface.

1. Park the vehicle on a smooth, level, hard surface, such as concrete. Turn the vehicle ignition to the "OFF" position and remove the key.
2. Empty the hopper of all material. Disconnect and remove the spreader from the vehicle.

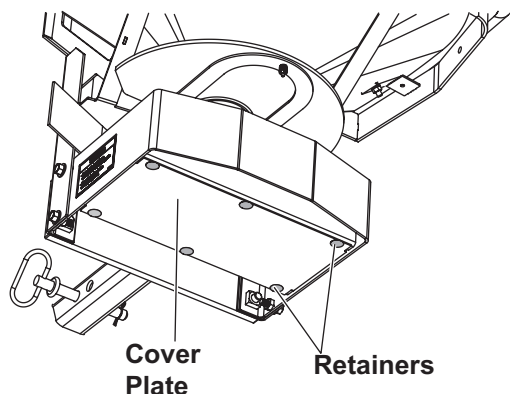
## Mount Vibrator

1. The vibrator mounts on the rear, angled face of the hopper. It should be centered, with the cord pointing down.
2. Place the vibrator in position. Using the base of the vibrator as a template, trace the four mounting holes on the hopper surface. Drill four 3/8" diameter holes in the marked locations.
3. Position the backing plate on the inside of the hopper and insert four 3/8" x 1-1/2" hex head bolts through the mounting holes from the inside. Align the vibrator mounting holes with the hex cap bolts, and install the 3/8" flat washers and 3/8" locknuts. Hand tighten.

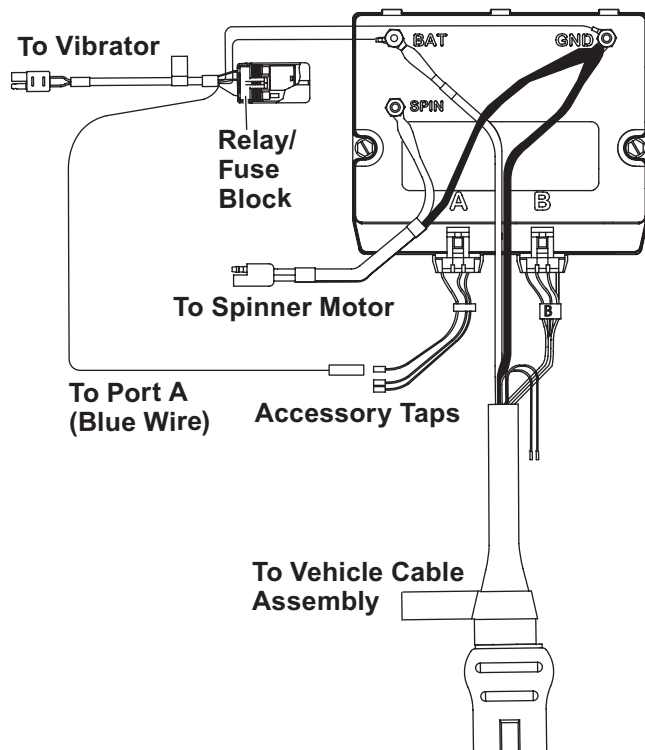


## Install the Electrical Harness

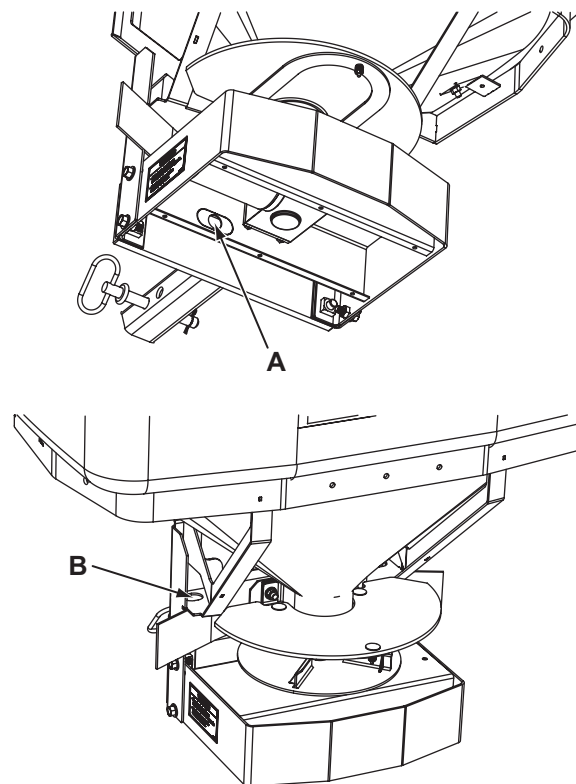
1. Remove the six retainers and module/motor cover plate on the bottom of the frame. Retain the cover plate for reinstallation later.



2. Connect the relay/fuse harness to the module:
  - a. Red POSITIVE wire to the "BATT" terminal.
  - b. Black NEGATIVE wire to the "GND" terminal.
  - c. Blue Port A connector wire to the blue accessory tap on the Port A harness.



3. Route the 2-pin connector end of the harness through the hole in the back of the motor/module enclosure (A), then up through the hole in the horizontal support plate behind the deflector (B).



4. Connect the harness to the vibrator using the 2-pin connectors. Secure the harness to the frame using the supplied cable ties.
5. Reattach the module/motor cover plate to the frame using the new supplied retainers.

## Usage/Testing

1. Reinstall the spreader onto the vehicle and the connect the power harness.
2. With vibrator installed, "VIBRATE" will illuminate on the spreader's cab control when the control is turned ON.
3. The vibrator may be used with the spinner function on or off.
4. The vibrator can be turned on or off by pressing the button underneath the word VIBRATE on the control. The button will illuminate when the vibrator is ON and will not illuminate when the vibrator is OFF.

Copyright © 2016 Douglas Dynamics, LLC. All rights reserved. This material may not be reproduced or copied, in whole or in part, in any printed, mechanical, electronic, film or other distribution and storage media, without the written consent of the company. Authorization to photocopy items for internal or personal use by the company's outlets or spreader owner is granted.

The company reserves the right under its product improvement policy to change construction or design details and furnish equipment when so altered without reference to illustrations or specifications used. This equipment manufacturer or the vehicle manufacturer may require or recommend optional equipment for spreaders. Do not exceed vehicle ratings with a spreader. The company offers a limited warranty for all spreaders and accessories. See separately printed page for this important information.

**Printed in U.S.A.**