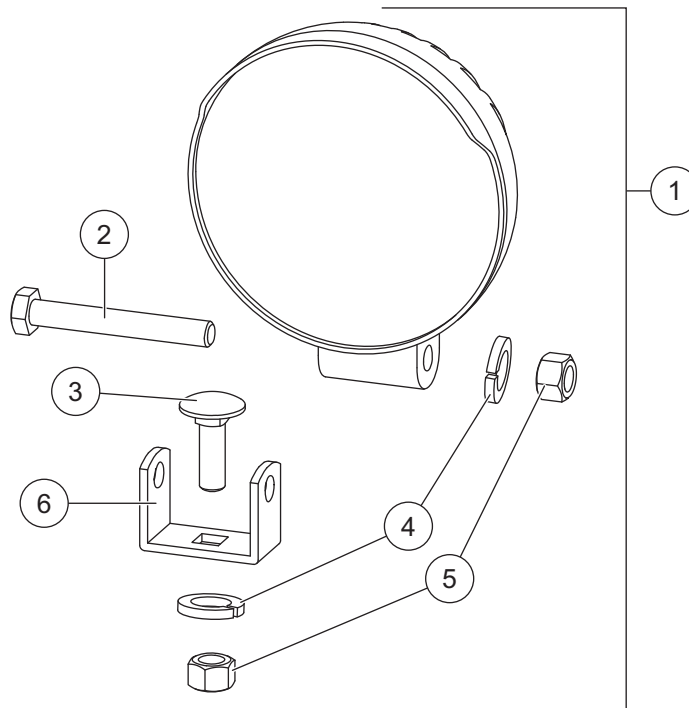


Auxiliary Work Light Kit

HELIXX™ Stainless Steel & Poly Hopper Spreaders with FLEET FLEX Electrical System

PARTS LIST



74044 Auxiliary Work Light Kit							
Item	Part	Qty	Description	Item	Part	Qty	Description
1	78377	1	LED Work Light	5		2	M8 x 1.25 Hex Nut SS
2		1	M8 x 1.25 Hex Cap Screw SS	6		1	Mounting Clip
3		1	M8 x 1.25 Carriage Bolt SS	ns	78386	1	Harness Assembly – 72"
4		2	M8 Lock Washer SS				
			ns = not shown				SS = Stainless Steel
							M = Metric

⚠ WARNING

Do not exceed GVWR or GAWR ratings as found on the driver-side vehicle door cornerpost.

⚠ CAUTION

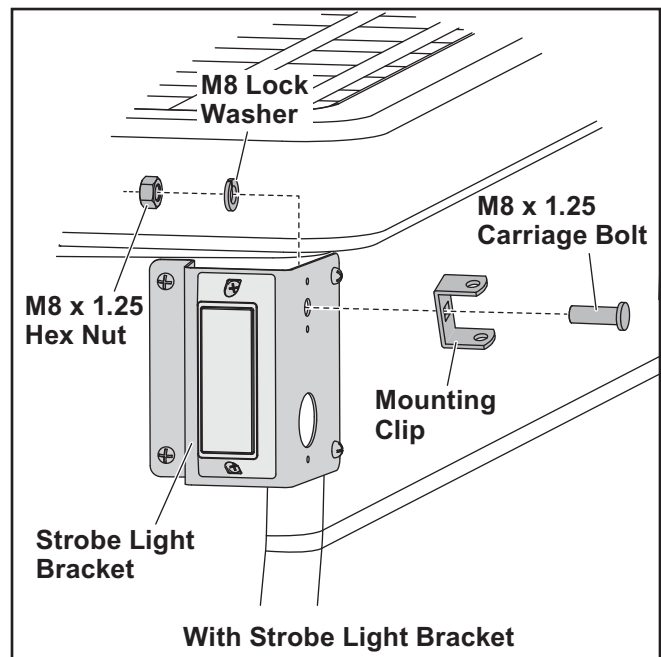
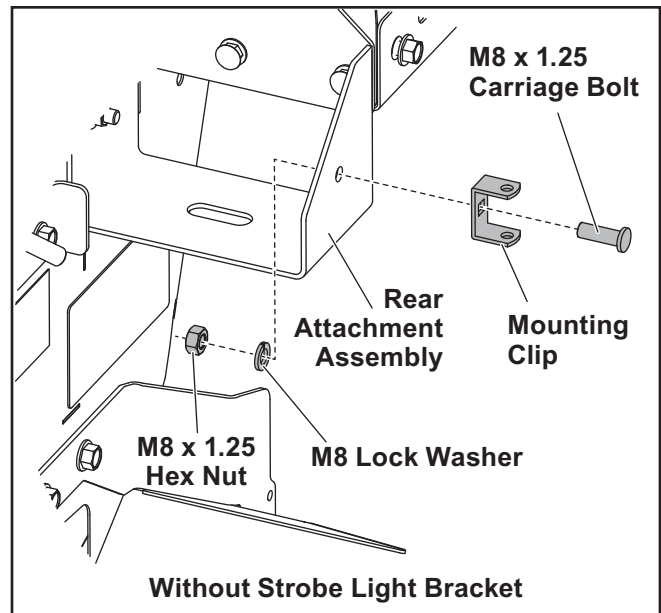
Use standard methods and practices when attaching spreader or sprayer and installing accessories, including proper personal protective safety equipment.

⚠ CAUTION

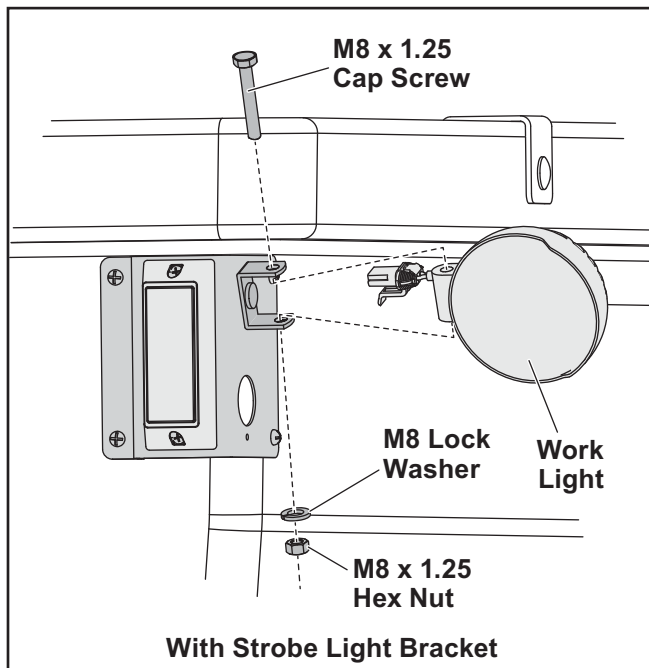
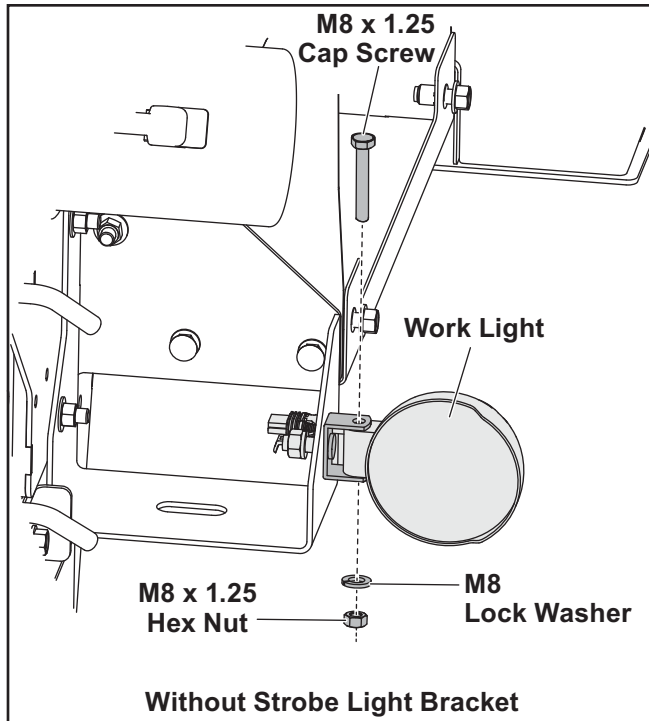
Read this document before installing the auxiliary work light.

INSTALLATION INSTRUCTIONS

1. Park the vehicle on a smooth, level, hard surface, such as concrete. Turn the vehicle ignition to the "OFF" position and remove the key.
2. Disconnect the CHMSL harness, then remove the electrical enclosure cover. Set the cover aside.
3. Secure the mounting clip to the rear attachment assembly using the supplied M8 x 1.25 carriage bolt, M8 lock washer, and M8 x 1.25 hex nut.



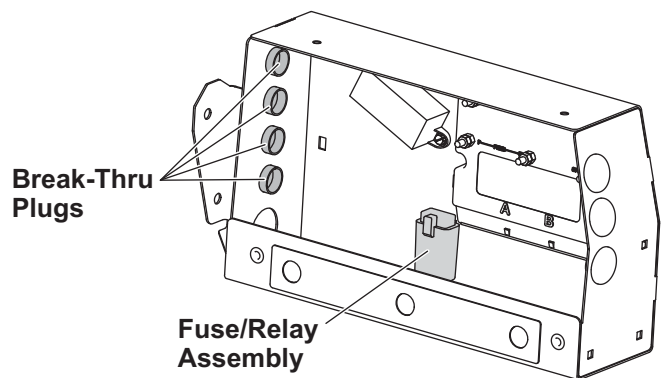
4. Install the work light to the mounting clip using the M8 x 1.25 cap screw, M8 lock washer, and M8 x 1.25 hex nut, but do not fully tighten the fasteners yet.



5. To aim the work light in the desired direction:
 - Loosen and rotate the mounting clip nut to adjust the work light up and down.
 - Loosen the nut on the carriage bolt to adjust the work light from side to side.

Once the work light is in position, fully tighten the nuts.

6. Plug the work light electrical harness into the matching connector on the work light.
7. Secure the work light harness.
8. Cut a hole in one of the break-thru plugs sized to form a tight seal around the harness. Feed the harness through the plug and into the electrical enclosure.



9. Plug the work light harness connector into the remaining matching connector on the relay/fuse assembly harness that powers the primary work light. (One relay/fuse harness assembly can power two work lights.)
10. Reinstall the electrical enclosure cover and reconnect the CHMSL harness.

Copyright © 2020 Douglas Dynamics, LLC. All rights reserved. This material may not be reproduced or copied, in whole or in part, in any printed, mechanical, electronic, film, or other distribution and storage media, without the written consent of the company. Authorization to photocopy items for internal or personal use by the company's outlets or spreader owner is granted.

The company reserves the right under its product improvement policy to change construction or design details and furnish equipment when so altered without reference to illustrations or specifications used. This equipment manufacturer or the vehicle manufacturer may require or recommend optional equipment for spreaders. Do not exceed vehicle ratings with a spreader. The company offers a limited warranty for all spreaders and accessories. See separately printed page for this important information. The following is an unregistered (™) trademark of Douglas Dynamics, LLC: HELIXX™.

Printed in U.S.A.
