

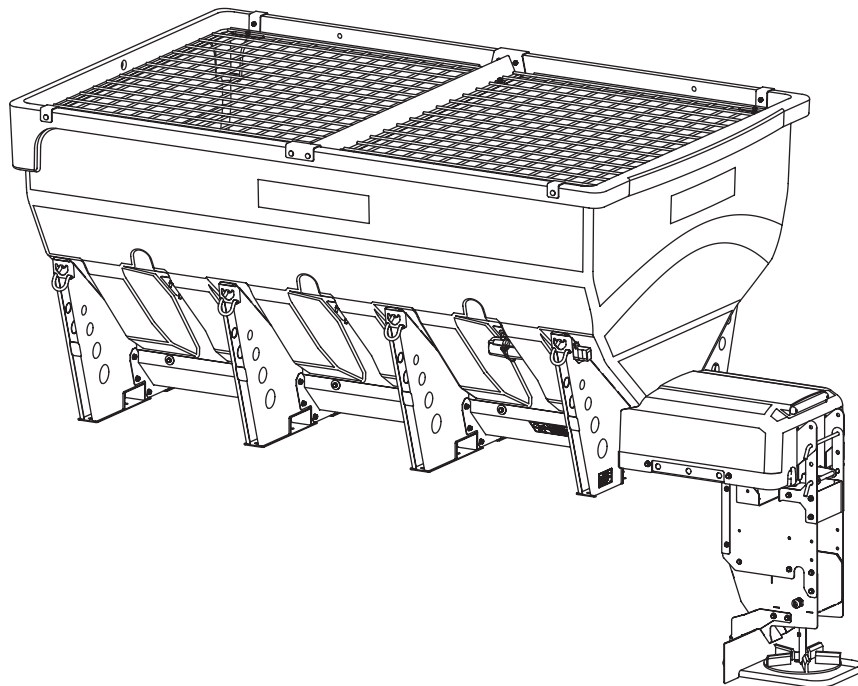


HELIXX™ Poly Hopper Spreader

#11780, 11790, 11800, 11810

1.5, 2.25, 3.5 & 5.0 yd³

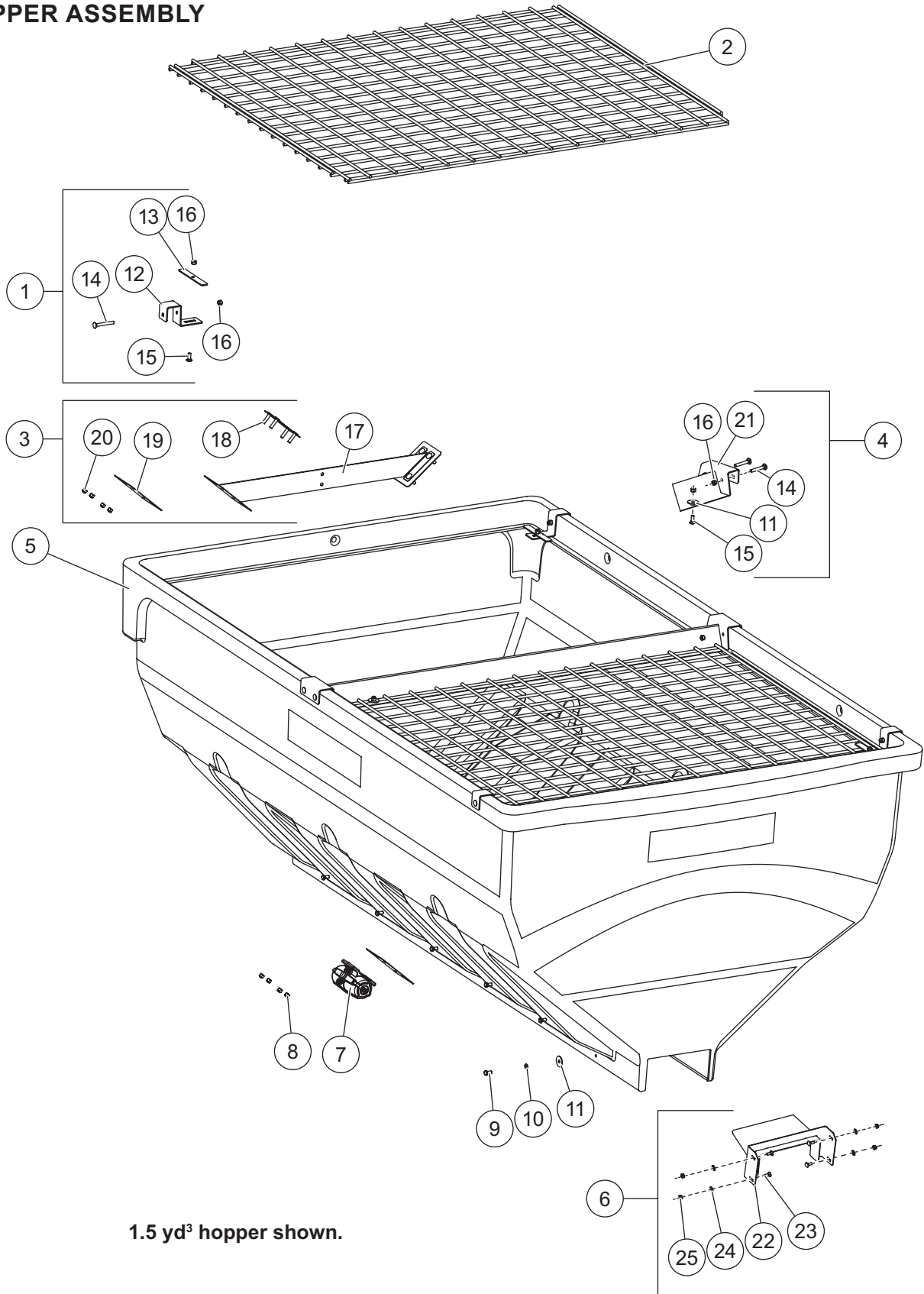
Parts List



This Parts List is for SnowEx® HELIXX poly hopper spreaders with serial numbers beginning with 190101 and higher.

HELIXX™ POLY HOPPER SPREADERS

HOPPER ASSEMBLY



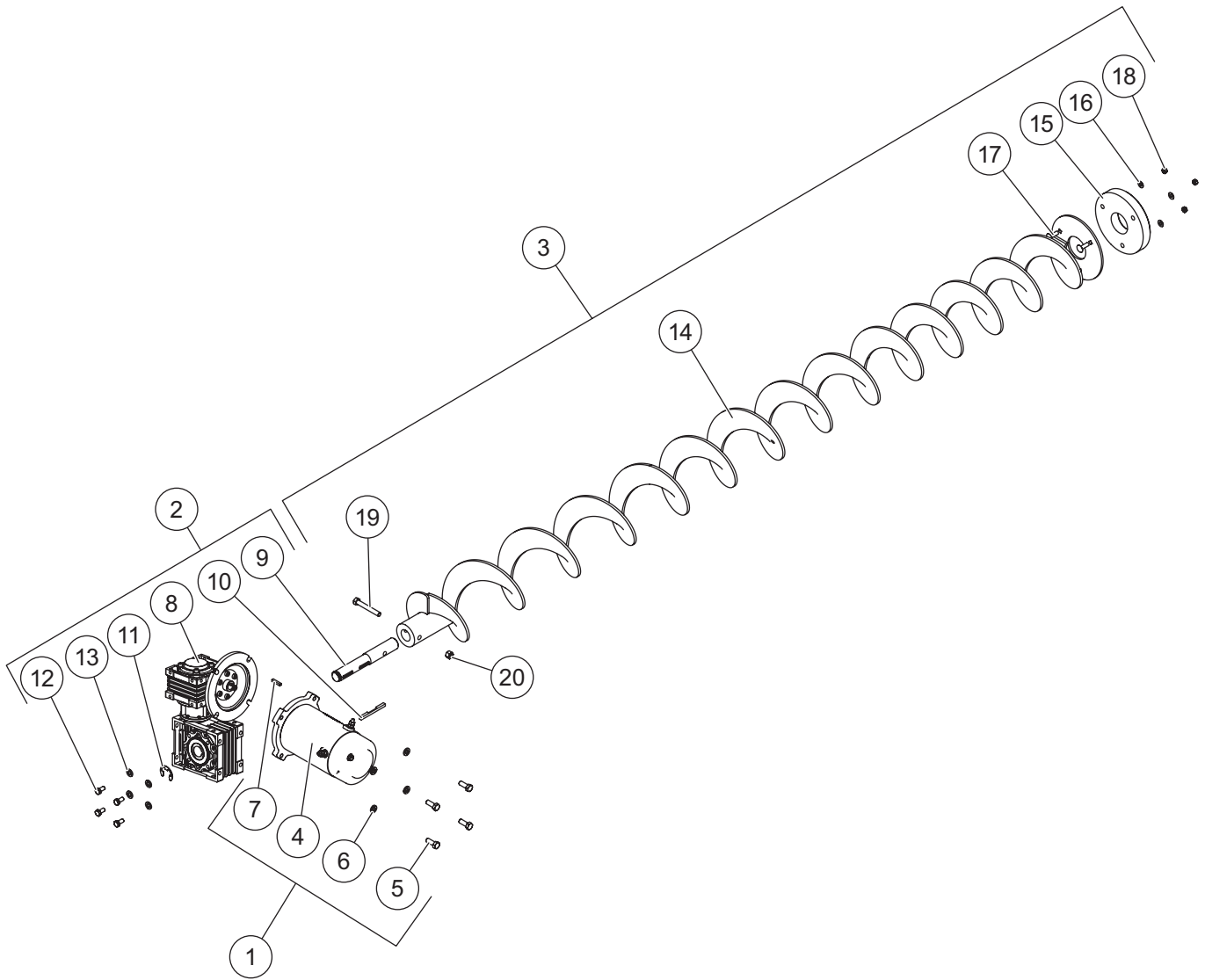
HELIXX™ POLY HOPPER SPREADERS

Hopper Assembly Components							
Item	Part	Qty	Description	Item	Part	Qty	Description
1	81737	4	Top Screen Hold Down Kit	6	81748	1	Auger Spill Stop Kit
2	81739	2	Top Screen, Small	7	75673	1	Vibrator Kit
ns	81738	2	Top Screen, Large	8		4	3/8-16 Hex Locknut GB SS
3	81351	2	Tub Cross Support Kit, Small	9		12*	3/8-16 x 7/8 Hex Cap Screw SS
ns	81741	3	Tub Cross Support Kit, Large	10		12*	3/8 Spring Lock Washer SS
4	81742	1	Top Screen Middle Support Kit	11		12*	3/8 x 1-1/2 Fender Washer
5	81743	1	Tub, 1.5 yd ³	ns	12008	1	Tarp Kit, 1.5 yd ³
	81744	1	Tub, 2.25 yd ³		12012	1	Tarp Kit, 2.25 yd ³
	81746	1	Tub, 3.5 yd ³		12005	1	Tarp Kit, 3.5 yd ³
	81747	1	Tub, 5.0 yd ³		12015	1	Tarp Kit, 5.0 yd ³
Item 1				81737 Top Screen Hold Down Kit			
12		1	Screen Support Bracket	15		1	3/8-16 x 1 Carriage Bolt
13		1	Screen Lock Plate	16		2	3/8-16 Hex Locknut
14		1	3/8-16 x 3 Carriage Bolt SS				
Item 3				81741 (large) / 81351 (small) Tub Cross Support Kit			
17		1	Cross Brace	19		2	Hopper Side Plate
18		4	3/8-16 x 1-1/2 Bolt Strap	20		8	3/8-16 Hex Locknut GB SS
Item 4				81742 Top Screen Middle Support Kit			
11		4	3/8 x 1-1/2 Fender Washer	16		8	3/8-16 Hex Locknut
14		4	3/8-16 x 3 Carriage Bolt SS	21		1	Screen Support
15		4	3/8-16 x 1 Carriage Bolt				
Item 6				81748 Auger Spill Stop Kit			
22		1	Leak Shield	24		4	5/16 Flat Washer SS
23		4	5/16-18 x 3/4 Carriage Bolt SS	25		4	5/16-18 Hex Locknut
ns = not shown		SS = Stainless Steel			G = Grade		

* Qty 8 for 1.5 & 2.25 yd³ hoppers; qty 12 for 3.5 & 5.0 yd³ hoppers.

HELIXX™ POLY HOPPER SPREADERS

DRIVETRAIN ASSEMBLY

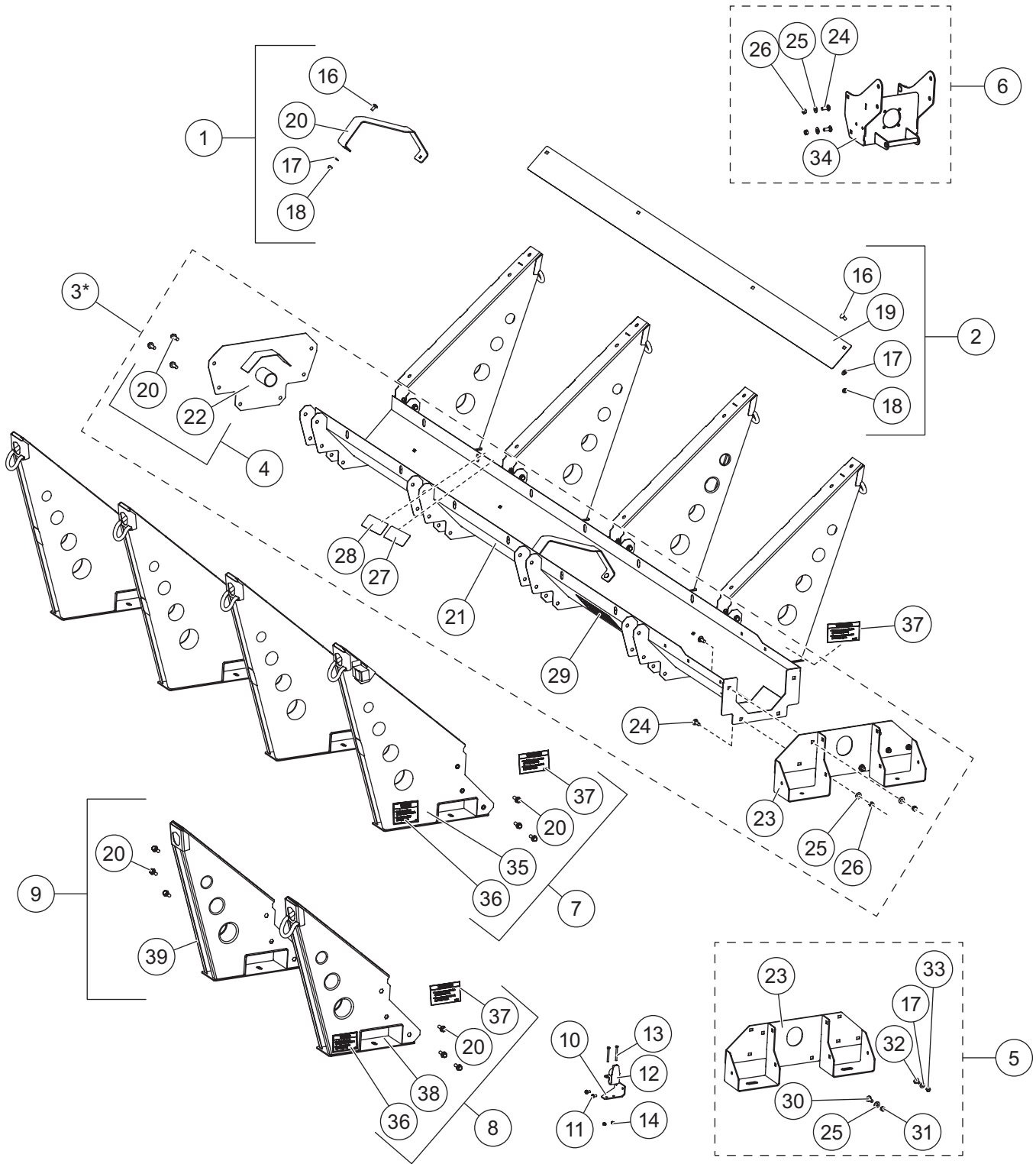


HELIXX™ POLY HOPPER SPREADERS

Drivetrain Assembly Components							
Item	Part	Qty	Description	Item	Part	Qty	Description
1	85432	1	Motor Kit, 3/4 hp	3	85424	1	Service Kit Auger, Long
ns	85479	1	Motor Kit, 1/2 hp	ns	85423	1	Service Kit Auger, Short
2	85431	1	Service Kit Transmission				
Item 1				85432 Motor Kit, 3/4 hp			
4	D6872-1	1	Motor, 3/4 hp 1750 rpm	6		4	3/8 Spring Lock Washer
5		4	3/8-16 x 1 Hex Cap Screw	7	65195	1	Machine Key, 3/16 x 1
				85479 Motor Kit, 1/2 hp			
ns	D6825-1	1	Motor, 1/2 hp 1750 rpm	6		4	3/8 Spring Lock Washer
5		4	3/8-16 x 1 Hex Cap Screw	7	65195	1	Machine Key, 3/16 x 1
Item 2				85431 Service Kit Transmission			
8	31098	1	10 x 10 x 2 Worm Gear	11		1	1" Retaining Ring
9	11892	1	Auger Drive Shaft	12		4	M8-1.25 x 16 Hex Cap Screw SS
10	99572	1	Machine Key, 1/4 x 3	13		4	M8 Spring Lock Washer SS
Item 3				85424 Service Kit Auger, Long			
14	11860	1	Auger, 112"	18		3	5/16-18 Hex Locknut GB SS
15	11888	1	Auger Front Bearing	19		1	3/8-16 x 2-3/4 Hex Cap Screw SS
16		3	5/16 Flat Washer SS	20		1	3/8-16 Hex Locknut GB SS
17		3	5/16-18 x 1 Carriage Bolt				
				85423 Service Kit Auger, Short			
ns	11850	1	Auger, 82"	18		3	5/16-18 Hex Locknut GB SS
15	11888	1	Auger Front Bearing	19		1	3/8-16 x 2-3/4 Hex Cap Screw SS
16		3	5/16 Flat Washer SS	20		1	3/8-16 Hex Locknut GB SS
17		3	5/16-18 x 1 Carriage Bolt				
ns = not shown		G = Grade		SS = Stainless Steel		M = Metric	

HELIXX™ POLY HOPPER SPREADERS

TROUGH ASSEMBLY



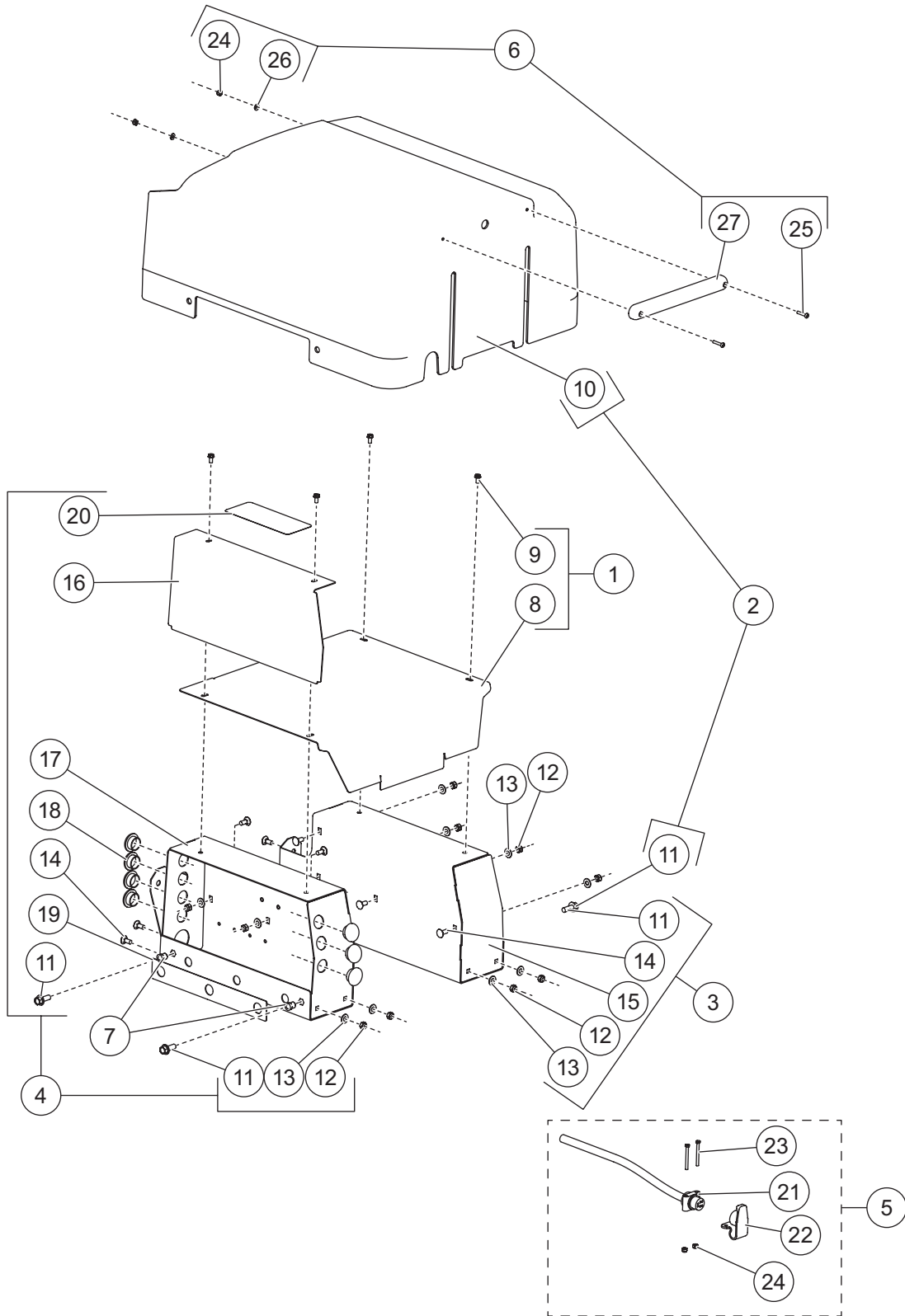
* Hopper legs not included in trough service kit (item 3).

HELIXX™ POLY HOPPER SPREADERS

Trough Assembly Components							
Item	Part	Qty	Description	Item	Part	Qty	Description
1	85422	1	Auger Keeper Service Kit	8	85428	4	Hopper Leg Service Kit, Small
2	85441	1	Wear Plate Service Kit, Long	9	85443	2	Middle Leg Service Kit, Small
ns	85442	1	Wear Plate Service Kit, Short	10	11948	1	Chute Harness Bracket
3	85426	1	Trough Service Kit, Short	11		2	1/4-20 x 1/2 Hex Washer-Head Machine Screw SS
ns	85427	1	Trough Service Kit, Long	12	11991	1	Dust Cover, Spinner Plug
4	85463	1	Front End Cap Service Kit	13		2	#10-32 x 2 Hex Cap Screw MS
5	85464	1	Rear Fork Pocket Service Kit	14		2	#10-32 Hex Locknut GB
6	85433	1	Rear Attachment Service Kit				
7	85429	8	Hopper Leg Service Kit, Large				
Item 1 85422 Auger Keeper Service Kit							
15		1	Auger Keeper	17		2	5/16 Flat Washer SS
16		2	5/16-18 x 3/4 Carriage Bolt SS	18		2	5/16-18 Locknut SS
Item 2 85441 (long) / 85442 (short) Wear Plate Service Kit							
16		4	5/16-18 x 3/4 Carriage Bolt SS	19		1	Auger Wear Plate (long)
17		4	5/16 Flat Washer SS	ns		1	Auger Wear Plate (short)
18		4	5/16-18 Locknut SS				
Item 3 85426 (short) / 85427 (long) Trough Service Kit							
20		6	3/8-16 x 1 Serrated Flange Hex Cap Screw SS	24		8	3/8-16 x 1 Carriage Bolt SS
				25		8	3/8 Flat Washer SS
21		1	Trough, Long	26		8	3/8-16 Locknut SS
ns		1	Trough, Short	27	D6335	1	Label – Warning, Rotating Auger
22		1	Front Trough Plate	28	30918EN	1	Label – Warning, GVWR
23		1	Rear Attachment	29	30916EN	1	Label – Warning, Rotating Parts
Item 4 85463 Front End Cap Service Kit							
20		6	3/8-16 x 1 Serrated Flange Hex Cap Screw SS	22		1	Front Trough Plate
Item 5 85464 Rear Fork Pocket Service Kit							
17		6	5/16 Flat Washer SS	31		8	3/8-16 Hex Locknut GB
23		1	Rear Attachment	32		6	5/16-18 x 3/4 Carriage Bolt SS
25		8	3/8 Flat Washer SS	33		6	5/16-18 Hex Locknut GB
30		8	3/8-16 x 1 Carriage Bolt				
Item 6 85433 Rear Attachment Service Kit							
24		4	3/8-16 x 1 Carriage Bolt SS	26		4	3/8-16 Locknut SS
25		4	3/8 Flat Washer SS	34		1	Chute/Trans Mount
Item 7 85429 Hopper Leg Service Kit, Large							
20		6	3/8-16 x 1 Serrated Flange Hex Cap Screw SS	36	D6192	1	Label – Warning, Hands and Feet
				37	D6194	1	Label – Warning, Read Owner's Manual
35		1	Hopper Leg, Large				
Item 8 85428 Hopper Leg Service Kit, Small							
20		6	3/8-16 x 1 Serrated Flange Hex Cap Screw SS	37	D6194	1	Label – Warning, Read Owner's Manual
				38		1	Hopper Leg, Small
36	D6192	1	Label – Warning, Hands and Feet				
Item 9 85443 Middle Leg Service Kit, Small							
20		6	3/8-16 x 1 Serrated Flange Hex Cap Screw SS	39		1	Middle Hopper Leg, Small
ns = not shown		G = Grade		SS = Stainless Steel		MS = Mild Steel	

HELIXX™ POLY HOPPER SPREADERS

ELECTRICAL BOX ASSEMBLY

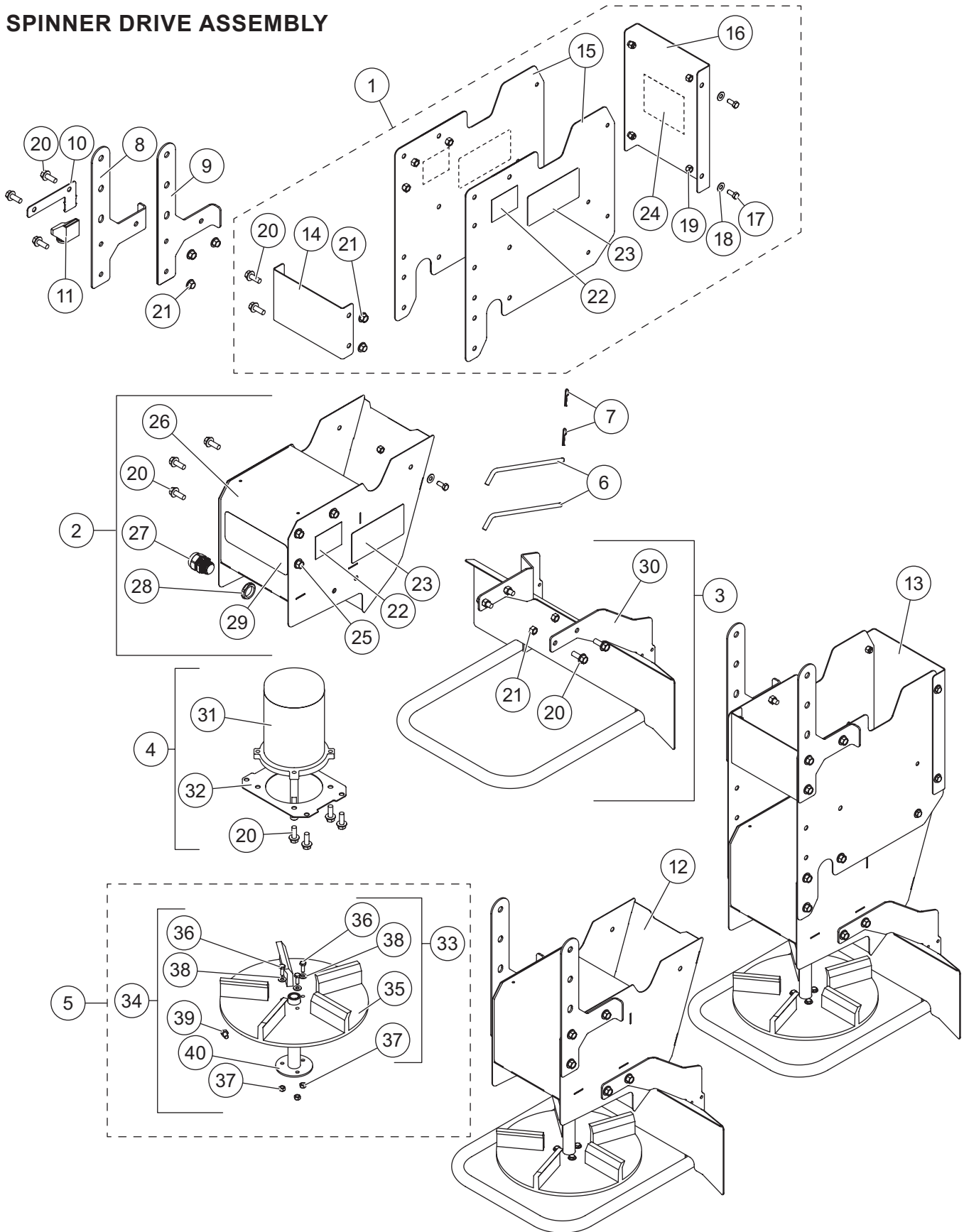


HELIXX™ POLY HOPPER SPREADERS

Electrical Box/Saddle Bag Assembly Components							
Item	Part	Qty	Description	Item	Part	Qty	Description
1	85474	1	Trough Extension Cover Kit	5	85448	1	Spinner Module Cable Kit
2	85445	1	Auger Extension Cover Kit	6	85449	1	CHMSL Kit
3	85446	1	Saddle Bag Kit	7	99254	3	Push Button Switch
4	85447	1	Electrical Box Kit				
Item 1 85474 Trough Extension Cover Kit							
8	99875	1	Trough Extension Cover	9		4	1/4-20 x 3/4 Hex Washer-Head Machine Screw
Item 2 85445 Auger Extension Cover Kit							
10	11856	1	Auger Extension Cover	11		4	3/8-16 x 1 Hex Cap Screw SS
Item 3 85446 Saddle Bag Kit							
11		2	3/8-16 x 1 Hex Cap Screw SS	14		7	5/16-18 x 3/4 Carriage Bolt SS
12		7	5/16-18 Hex Locknut	15		1	Saddle Bag Frame
13		7	5/16 Flat Washer SS				
Item 4 85447 Electrical Box Kit							
11		2	3/8-16 x 1 Hex Cap Screw SS	17		1	Electrical Enclosure
12		7	5/16-18 Hex Locknut	18		7	Break-Thru Plug
13		7	5/16 Flat Washer SS	19	77420	1	Label – Information, Material Flow/ Work Light Control
14		7	5/16-18 x 3/4 Carriage Bolt SS				
16		1	Electrical Box Cover	20	D6335	1	Label – Warning, Rotating Auger
Item 5 85448 Spinner Module Cable Kit							
21		1	Cable Assembly Spinner Module	23		2	#10-32 x 2 Hex Cap Screw SS
22		1	Dust Cover, Spinner Plug	24		2	#10-32 Hex Locknut GB SS
Item 6 85449 CHMSL Kit							
24		2	#10-32 Hex Locknut GB SS	26		2	#10 Flat Washer SS
25		2	#10-32 x 1 Phillips Pan Head Screw SS	27		1	CHMSL, 8" Lead
G = Grade				SS = Stainless Steel			

HELIXX™ POLY HOPPER SPREADERS

SPINNER DRIVE ASSEMBLY



HELIXX™ POLY HOPPER SPREADERS

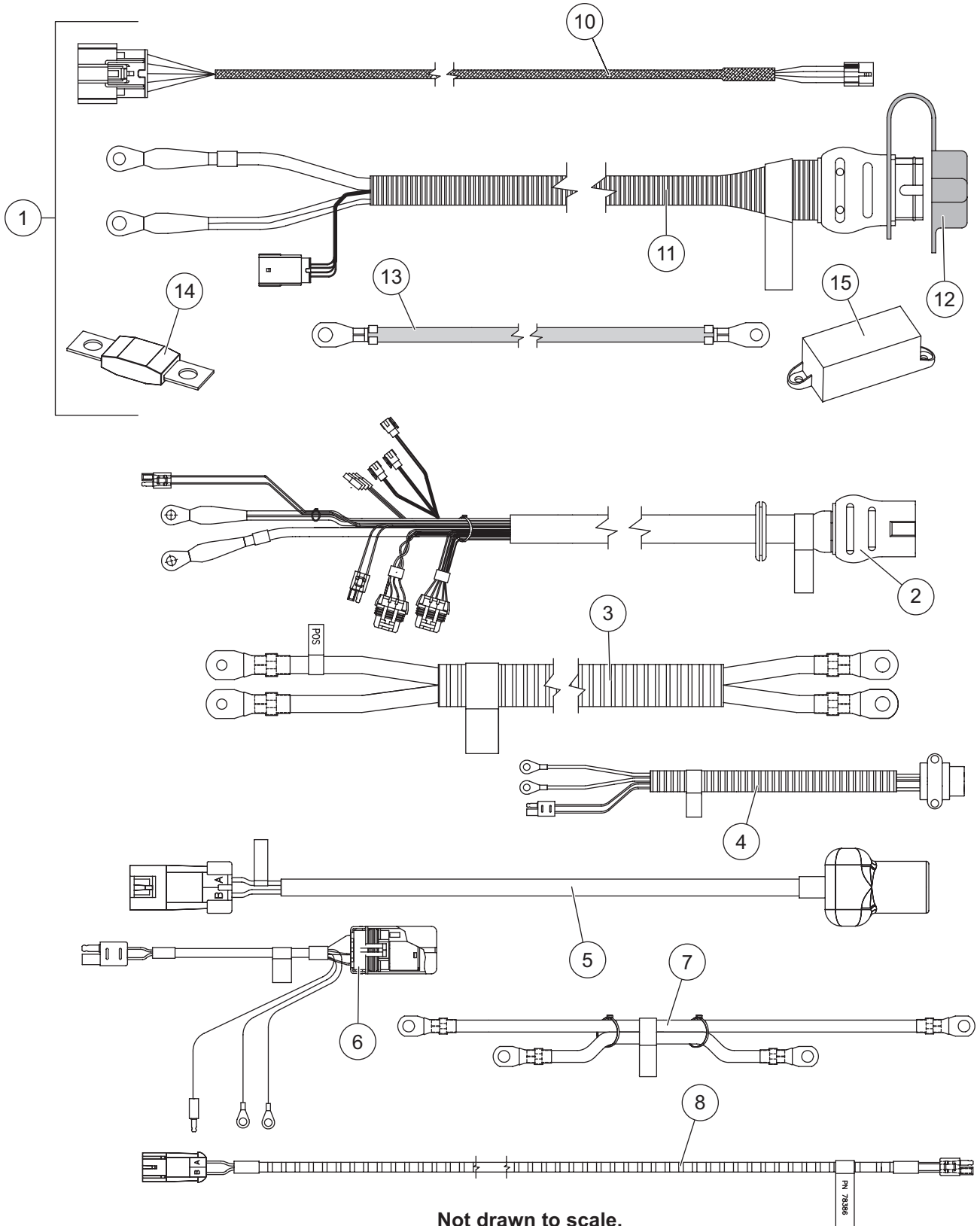
Spinner Drive Assembly Components						
Item	Part	Qty	Description	Item	Part	Qty Description
1	80221*	1	Chute Extension Kit	8	11871	1 Chute Hanger – DS
2	85434	1	Spinner Drive Housing	9	11872	1 Chute Hanger – PS
3	85437	1	Spinner Guard Service Kit	10	90774	1 Cable Boot Bracket
4	85436	1	Spinner Motor Service Kit	11	11992	1 Spinner Harness Dust Cover
5	80222	1	Spinner Disk Kit	12	77570	1 Spinner Drive Assembly Kit
6	11981	2	Chute Locking Pin	13	77571	1 Spinner Drive Extension Assembly Kit
7	D4135	2	0.093 x 2-3/8 Hairpin Cotter, Zinc			
Item 1 80221* Chute Extension Kit						
14		1	Chute Extension Stiffener	20		6 3/8-16 x 1 Serrated Flange Hex Cap Screw SS
15		2	Chute Extension Side Plate			
16		1	Chute Extension Funnel	21		6 3/8-16 Locknut SS
17		6	5/16-18 x 3/4 Hex Cap Screw SS	22	32593EN	2 Label – Warning, Multiple Pinch Points
18		6	5/16 Flat Washer SS	23	11100	1 Label – Warning, Rear Camera
19		6	5/16-18 Hex Locknut SS	24	92971	1 Label – Warning, Disconnect
				ns	92969	1 Label – Warning, Chute Disconnect
Item 2 85434 Spinner Drive Housing						
20		6	3/8-16 x 1 Serrated Flange Hex Cap Screw SS	26		1 Chute Motor Enclosure
				27		1 10/2 3/4 NPT Strain Relief
22	32593EN	2	Label – Warning, Multiple Pinch Points	28		1 3/4 Locknut, Nylon
23	11100	1	Label – Warning, Rear Camera	29	30917EN	1 Label – Warning, No Step
25		6	3/8-16 Hex Rivnut SS			
Item 3 85437 Spinner Guard Service Kit						
20		4	3/8-16 x 1 Serrated Flange Hex Cap Screw SS	21		4 3/8-16 Locknut SS
				30		1 Deflector
Item 4 85436 Spinner Motor Service Kit						
20		4	3/8-16 x 1 Serrated Flange Hex Cap Screw SS	31	D6887	1 Spinner Motor, Direct Drive
				32		1 Spinner Motor Plate
Item 5 80222 Spinner Disk Kit						
33	85438	1	Spinner Disk Service Kit	34	85439	1 Spinner Disk Mount Service Kit
Item 33 85438 Spinner Disk Service Kit						
35	D6823	1	12 x 5/8 Spinner	37		3 1/4-20 Locknut
36		3	1/4-20 x 1 Serrated Hex Washer-Head Cap Screw SS	38		3 1/4 Flat Washer SS
Item 34 85439 Spinner Disk Mount Service Kit						
36		3	1/4-20 x 1 Serrated Hex Washer-Head Cap Screw SS	38		3 1/4 Flat Washer SS
				39		1 5/16-18 x 1/2 Hex Cap Screw SS
37		3	1/4-20 Locknut	40	11874	1 Spinner Hub

SS = Stainless Steel

* Accessory only for 1.5 & 2.25 yd³ hopper spreaders.

HELIXX™ POLY HOPPER SPREADERS

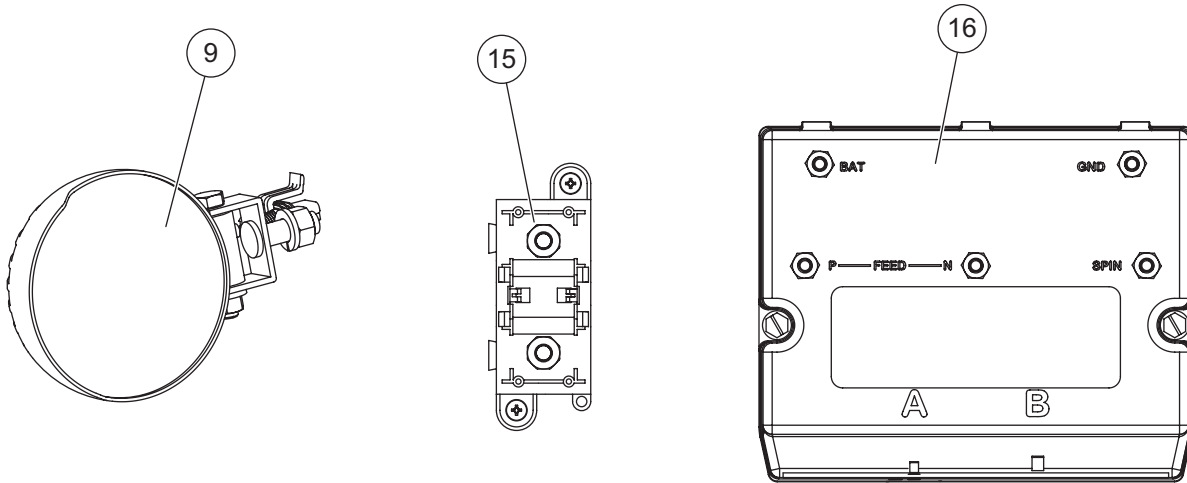
CONTROL & ELECTRICAL COMPONENTS



Not drawn to scale.

HELIXX™ POLY HOPPER SPREADERS

CONTROL & ELECTRICAL COMPONENTS

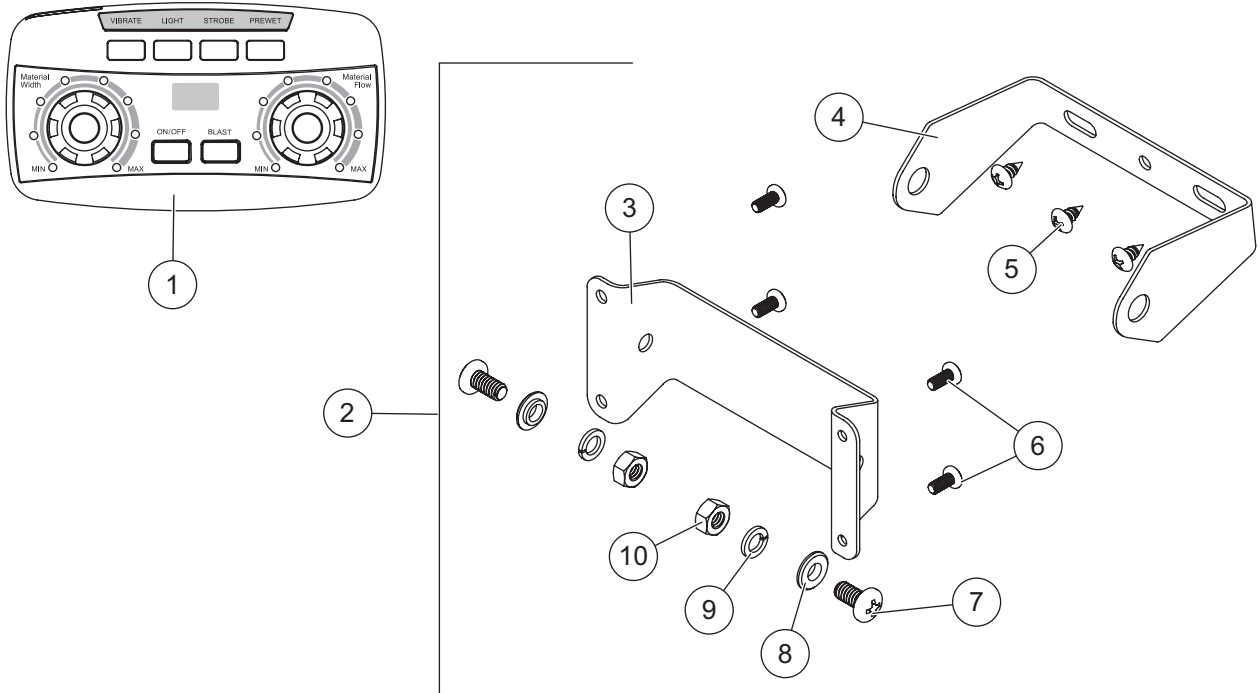


Cables & Harnessing / Electrical Enclosure Assembly							
Item	Part	Qty	Description	Item	Part	Qty	Description
1	83695	1	Vehicle-Side Harness Kit	9	78377	1	LED Work Light
2	83688	1	Hopper Cable Assembly	ns	83712	1	Extension Harness – 24"
3	83704	1	Module to Auger Motor Cable Assy	ns	D6514	1	Center High Mount Stop Light (CHMSL)
4	85448	1	Spinner Module Cable Assembly	ns	*	2	#10-32 x 1-1/4 Machine Screw SS
5	85435	1	Spinner Motor Cable Assembly	ns	*	2	#10-32 Locknut SS
6	78382	1	Vibrator Harness Assembly	ns	78391	1	Vibrator Extension Harness, 94"
7	78385	1	Module to Isolated Stud Cable Assy	ns	74044	1	Auxilliary Work Light Kit
8	78386	1	Harness Assembly – 72"				
Item 1 83695 Vehicle-Side Harness Kit							
10	69902	1	Vehicle Control Harness	14	95836	1	Fuse, 100A
11	83690	1	Vehicle Harness Assy (incl. item 12)	15	95837	2	Fuse Holder/Isolated Stud Block
12	99759	1	Plug Cover	ns		6	Cable Tie, HD
13	22511	1	22" Battery Cable – Red	ns		10	Cable Tie, 15.35"
74044 Auxilliary Work Light Kit							
8	78386	1	Harness Assembly – 72"	9	78377	1	LED Work Light
Electrical Box Components							
15	95837	1	Fuse Holder/Isolated Stud Block	16	52375	1	Spreader Module, 5-Post
ns = not shown				SS = Stainless Steel			

* CHMSL mounting hardware.

HELIXX™ POLY HOPPER SPREADERS

CONTROL & ELECTRICAL COMPONENTS



52430 Cab Control Kit						
Item	Part	Qty	Description	Item	Description	
1	52432	1	Cab Control 2-Knob	2	52345	1 Cab Control Bracket Kit
Item 2			52345 Cab Control Bracket Kit			
3	1	Bracket, Control Inner	7	2	1/4-20 x 1/2 Pan Head Machine Screw SS – Black	
4	1	Bracket, Control Outer	8	2	1/4 Shoulder Washer SS – Black	
5	3	#10 x 3/8 Pan Head Tapping Screw SS	9	2	1/4 Spring Lock Washer SS	
6	4	#8 x 3/8 Pan Head Machine Screw	10	2	1/4-20 Hex Nut G5 – Black	
SS = Stainless Steel			G = Grade			

HELIXX™ POLY HOPPER SPREADERS

ACCESSORIES

Part	Description	Part	Description
68790	Ratchet Strap Kit	11796	Bungee Kit, 1.5 yd ³
74044	Auxiliary Work Light Kit	11797	Bungee Kit, 2.25 yd ³
83745-1	Strobe Light Kit	11798	Bungee Kit, 3.5 yd ³
78402	Vehicle-Side Harness Kit	11799	Bungee Kit, 5.0 yd ³
83724	Vibrator Kit DC-100, Poly Case	11961	Inverted V Kit (1.5 & 2.25 yd ³ hoppers)
83734	Vibrator Kit DC-200	11963	Inverted V Kit (3.5 & 5 yd ³ hoppers)
99690	Tie-Down Kit, SH Chain		

Liquid Kits					
Part	Description	Qty			
		1.5 yd ³	2.25 yd ³	3.5 yd ³	5.0 yd ³
74610	100 gal HELIXX Liquid Kit, 4 x 25-gal Tanks	1	1	–	–
74620	200 gal HELIXX Liquid Kit, 4 x 50-gal Tanks	–	–	1	1
74630	100 gal HELIXX Liquid Kit, 2 x 50-gal Tanks	–	–	1	1



TrynEx International, LLC
531 Ajax Drive
Madison Heights, MI 48071-2429
www.snowexproducts.com

 A DIVISION OF DOUGLAS DYNAMICS, LLC

Copyright © 2023 Douglas Dynamics, LLC. All rights reserved. This material may not be reproduced or copied, in whole or in part, in any printed, mechanical, electronic, film, or other distribution and storage media, without the written consent of TrynEx International, LLC. Authorization to photocopy items for internal or personal use by TrynEx International outlets or spreader owner is granted.

TrynEx International reserves the right under its product improvement policy to change construction or design details and furnish equipment when so altered without reference to illustrations or specifications used. TrynEx International or the vehicle manufacturer may require or recommend optional equipment for spreaders. Do not exceed vehicle ratings with a spreader. TrynEx International offers a limited warranty for all spreaders and accessories. See separately printed page for this important information. The following are registered (®) or unregistered (™) trademarks of Douglas Dynamics, LLC: HELIXX™, SnowEx®.

Printed in U.S.A.