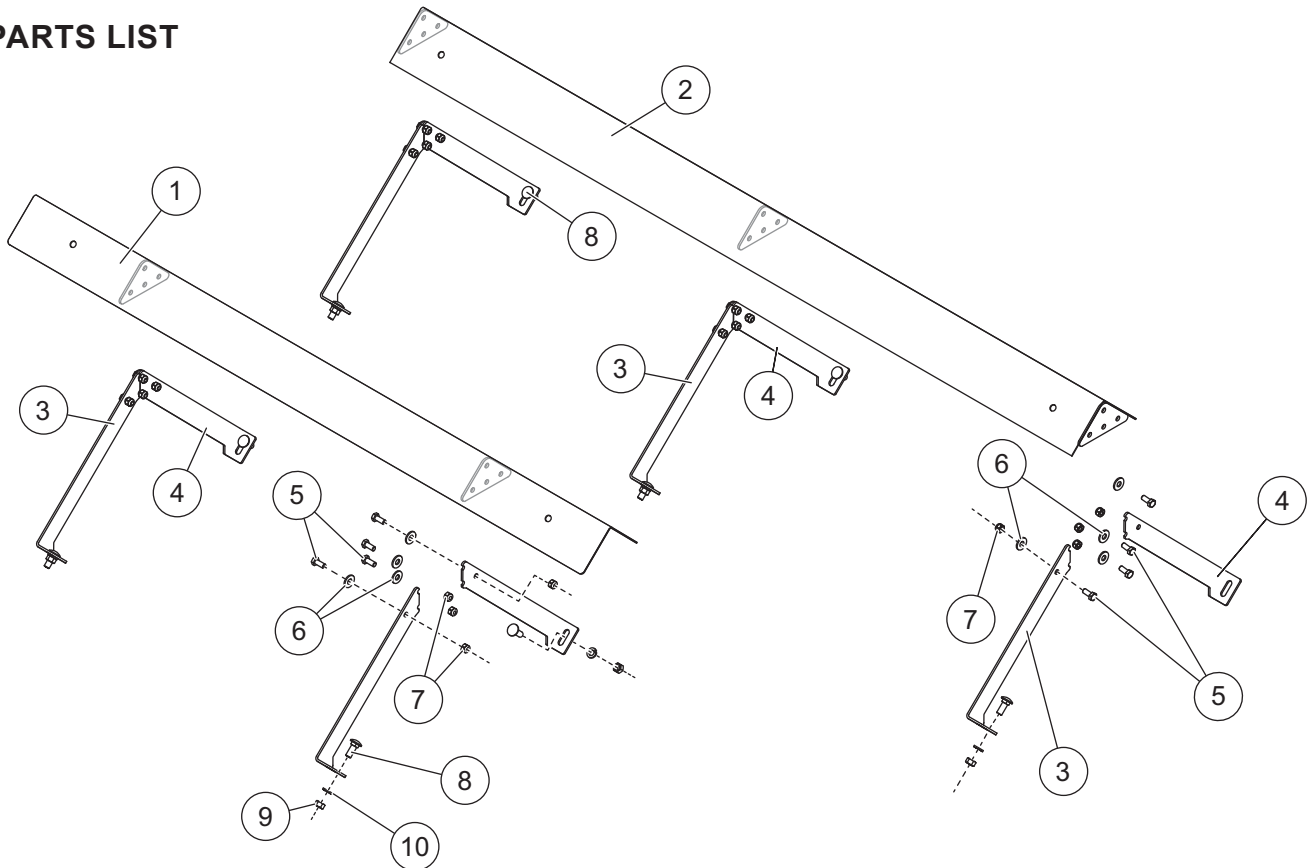


# Inverted V Kit

## HELIXX™ SS Hopper Spreaders (7', 8', 9', 10')

**PARTS LIST**


<b>85468 (Short – 7' &amp; 8') / 85469 (Long – 9' &amp; 10') Inverted V Kit</b>									
Item	Part	Qty		Description	Item	Part	Qty		Description
		85468	85469				85468	85469	
1	96502	1	–	Inverted V – Short	4	99944	2	3	Leg – Side B
2	96503	–	1	Inverted V – Long	ns	99074	1	–	Bolt Bag – Short V
3	99943	2	3	Leg – Side A	ns	99075	–	1	Bolt Bag – Long V
<b>Bolt Bags</b>									
Item	Part	Qty		Description	Item	Part	Qty		Description
		99074	99075				99074	99075	
5		8	12	5/16-18 x 3/4 Hex Cap Screw SS	8		4	6	3/8-16 x 1 Carriage Bolt
6		8	12	5/16 Flat Washer Type A	9		4	6	3/8-16 Hex Nut SS
7		8	12	5/16-18 Hex Locknut GB	10		4	6	3/8 Spring Lock Washer SS
		ns = not shown						SS = Stainless Steel	
								G = Grade	

This document is for HELIXX SS hopper spreaders with serial numbers beginning with 191001 and higher.

## INSTALLATION INSTRUCTIONS

### **⚠ WARNING**

Do not exceed GVWR or GAWR, including blade and ballast. The rating label is found on the driver-side vehicle door cornerpost.

### **⚠ CAUTION**

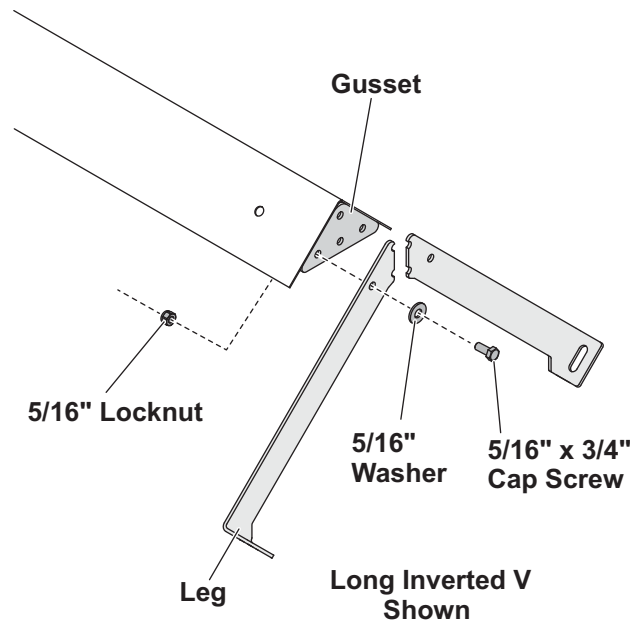
Read this document before installing the inverted V kit.

### **⚠ CAUTION**

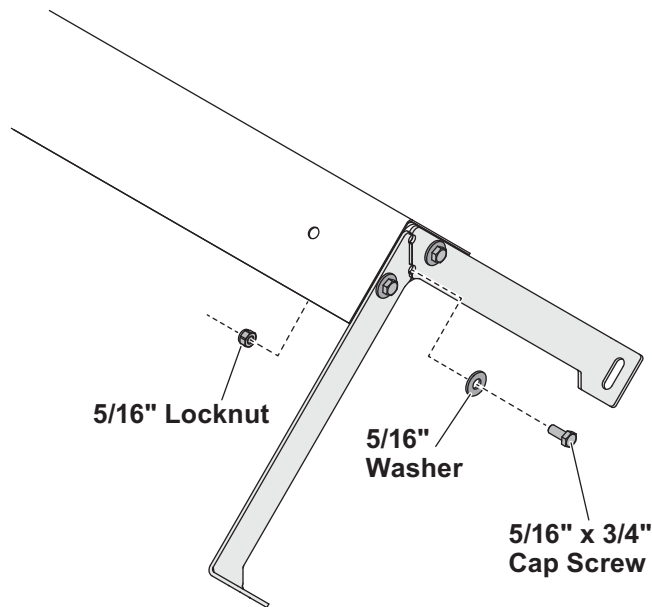
Use standard methods and practices when attaching spreader and installing accessories, including proper personal protective safety equipment.

1. Park the vehicle on a smooth, level, hard surface, such as concrete. Turn the vehicle ignition to the "OFF" position and remove the key.
2. Empty all material from the hopper.
3. Remove the top screens and set them aside.
4. Remove the existing inverted V.

5. The inverted V legs are installed in pairs. Each leg has one unique hole and two shared holes. The leg ends must all face the same way for the mounting holes in the legs to align with the mounting holes in the hopper body.
6. Position a pair of legs against the non-welded side of one of the triangular gussets on the inside of the V. Install each leg to the gusset using the supplied 5/16" x 3/4" cap screws, 5/16" flat washers, and 5/16" locknuts as shown below, but do not tighten the fasteners yet. Repeat for the other pair(s) of legs.



7. Hold the legs flush against the gusset and install a 5/16" x 3/4" cap screw, 5/16" flat washer, and 5/16" locknut in each of the two center mounting holes as shown below, with the flat washer on the leg side.



8. Ensure that each pair of legs is oriented so that the legs are at a 90° angle from one another; then tighten all the 5/16" fasteners to 12 ft-lb.
9. Position the assembled inverted V in the hopper so that the holes in the ends of the legs align with the existing holes in the hopper body.
10. Install the inverted V to the hopper using 3/8" x 1" carriage bolts, 3/8" spring lock washers, and 3/8" hex nuts. Tighten the 3/8" fasteners to 20 ft-lb.
11. Reinstall the top screens.

Copyright © 2019 Douglas Dynamics, LLC. All rights reserved. This material may not be reproduced or copied, in whole or in part, in any printed, mechanical, electronic, film, or other distribution and storage media, without the written consent of TrynEx International, LLC. Authorization to photocopy items for internal or personal use by the TrynEx International outlets or spreader owner is granted.

TrynEx International reserves the right under its product improvement policy to change construction or design details and furnish equipment when so altered without reference to illustrations or specifications used. TrynEx International or the vehicle manufacturer may require or recommend optional equipment for spreaders. Do not exceed vehicle ratings with a spreader. TrynEx International offers a limited warranty for all spreaders and accessories. See separately printed page for this important information. The following are registered (®) or unregistered (™) trademarks of Douglas Dynamics, LLC: HELIXX™, SnowEx®.

**Printed in U.S.A.**

---