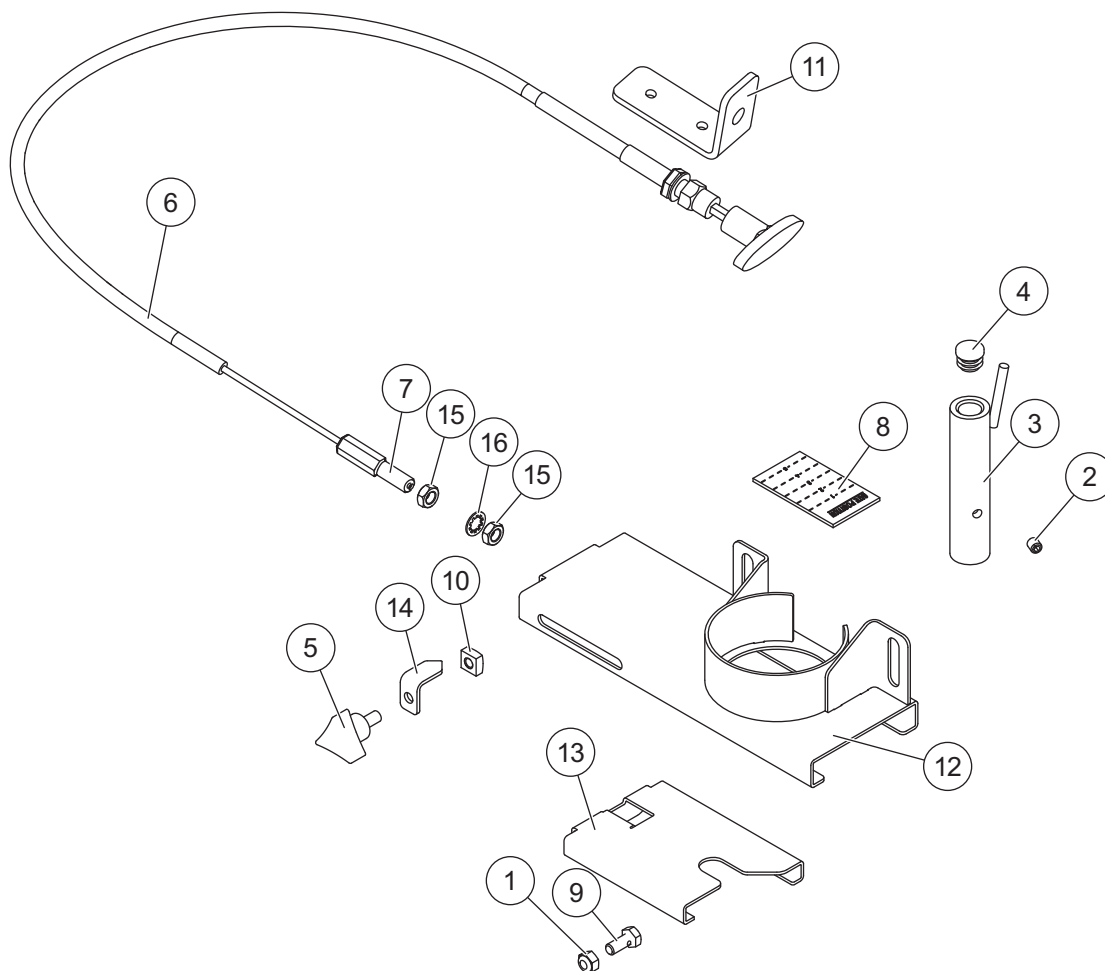


# Gate Assembly Kit

## Tailgate Spreaders

### PARTS LIST



| GAK-020-1 Gate Assembly Kit |        |     |                                      |      |       |     |   |
|-----------------------------|--------|-----|--------------------------------------|------|-------|-----|---|
| Item                        | Part   | Qty | Description                          | Item | Part  | Qty | Description   |
| 1                           | T15018 | 1   | 5/16-18 Hex Locknut SS               | 9    | D6308 | 1   | 5/16-18 x 3/4 Hex Cap Screw with 1/8" Drilled Hole SS |
| 2                           | D6140  | 1   | 5/16-18 x 3/8 Set Screw, Socket Head | 10   | D6309 | 1   | 5/16-18 Square Nut                                    |
| 3                           | D6185  | 1   | 5/8 x 6 Material Agitator            | 11   | D6351 | 1   | Gate Cable Control Bracket                            |
| 4                           | D6191  | 1   | Auger Cap                            | 12   | 75400 | 1   | Gate Body   |
| 5                           | D6302  | 1   | 5/16-18 x 3/4 Triangle Knob          | 13   | D6366 | 1   | Gate Slide  |
| 6                           | D6304  | 1   | 10' Cable w/T-Handle                 | 14   | D6368 | 1   | Gate Stop Indicator                                   |
| 7                           | D6305  | 1   | Bulkhead Cable Fitting               | 15   | D7172 | 2   | 3/8-24 Hex Jam Nut SS                                 |
| 8                           | D6307  | 1   | Label – Gate Position                | 16   | D7173 | 1   | 3/8 Lock Washer SS                                    |

SS = Stainless Steel

**INSTALLATION INSTRUCTIONS**

**⚠ WARNING**

Do not exceed GVWR or GAWR ratings as found on the driver-side vehicle door cornerpost.

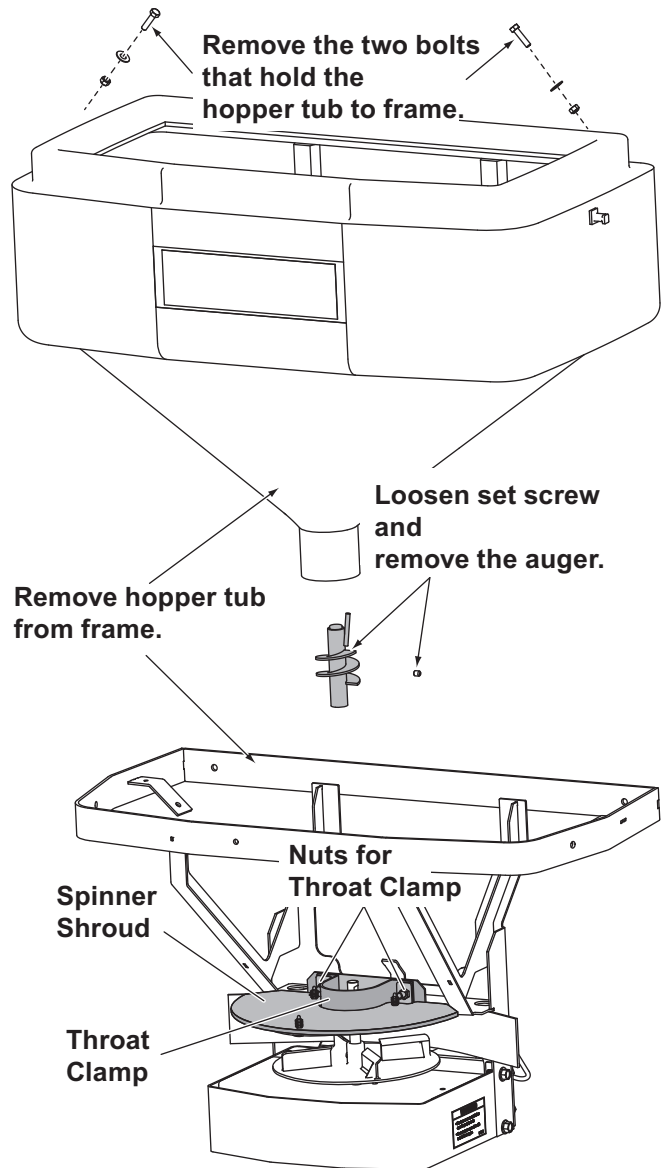
**⚠ CAUTION**

Read this document before installing the gate assembly kit.

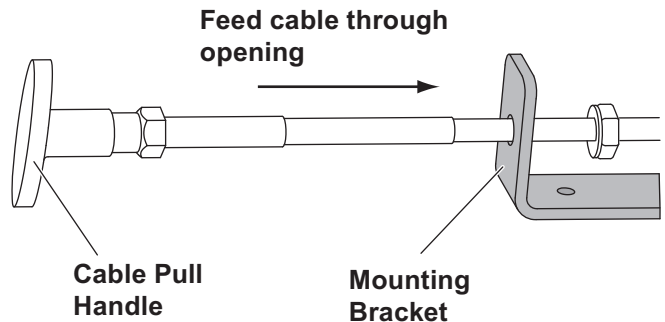
**⚠ CAUTION**

Use standard methods and practices when attaching spreader and installing accessories, including proper personal protective safety equipment.

1. Park the vehicle on a smooth, level, hard surface, such as concrete. Turn the vehicle ignition to the "OFF" position and remove the key.
2. Be sure the hopper is empty of material. Unplug hopper from power source. Remove the spinner shroud and throat clamp, and remove the hopper tub from the frame. There are two nuts that need to be removed from the throat clamp, and two bolts to be removed from the tub.
3. Remove the auger by loosening the set screw. This auger will not be reinstalled.

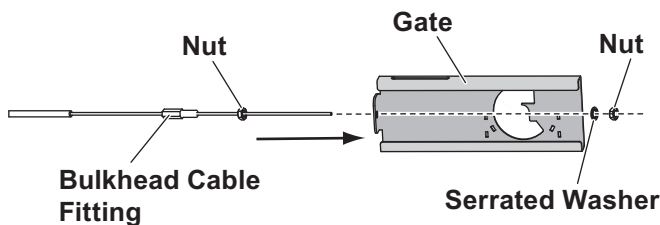


4. Attach the cable to the mounting bracket. Remove the nut and lock washer which are located near the cable pull handle. The cable is fed through the opening as shown, until it reaches the stop. Feed the lock washer and nut onto the cable and tighten until snug. The handle should be oriented as shown.

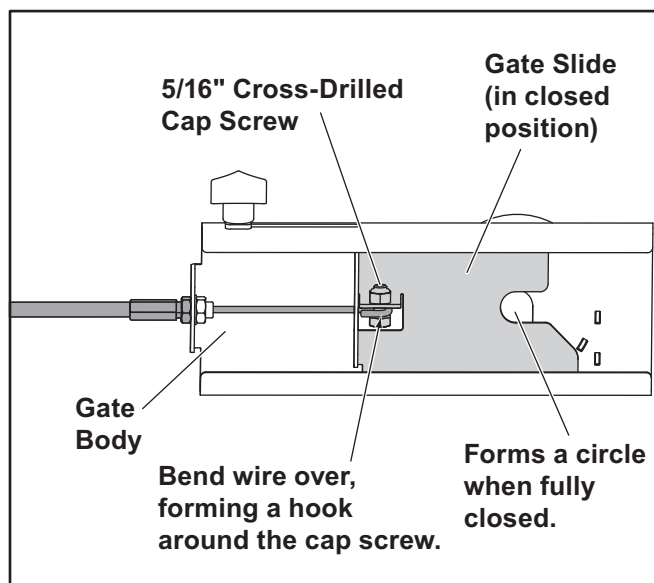


5. Optional: Shorten the cable to the desired length. This is achieved by clamping the cable to the spreader drive enclosure and routing the cable and mount bracket to the desired location. Mark how much wire needs to be removed and be sure to leave 3" extra for connection with the gate. Once the wire is cut, remove 3" of the cable covering. This allows the cable to be properly attached to the gate control.

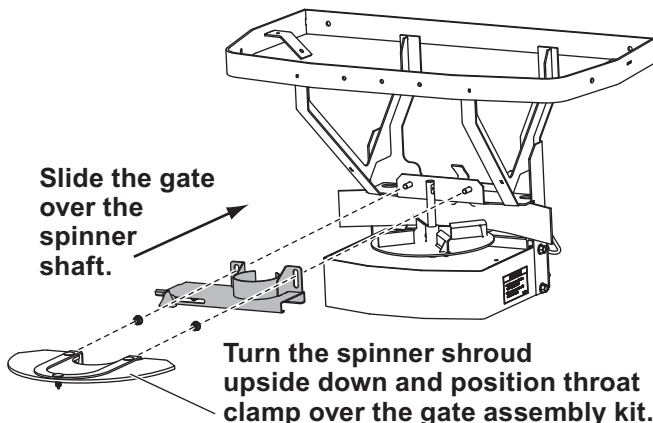
6. Attach the cable to the gate assembly. Start by threading the bulkhead cable fitting onto the open wire end of the cable. Thread one of the provided nuts onto the cable and bulkhead fitting. Slide the cable and bulkhead through the hole in the gate. Secure in place with the serrated washer and the other nut.



7. Connect the cable to the gate slide. Install the special 5/16" cap screw with the cross drilled hole and the 5/16" nut in the gate slide. Insert the gate slide into the gate body. Ensure the gate slide is in the fully closed position. Once the gate slide is in the fully closed position, the cable can be inserted into the cross drilled hole of the special cap screw. Cut the cable 3/4" past the cap screw. Bend the wire over, to form a hook around the cap screw. Tighten down the cap screw and nut to clamp the cable in place.

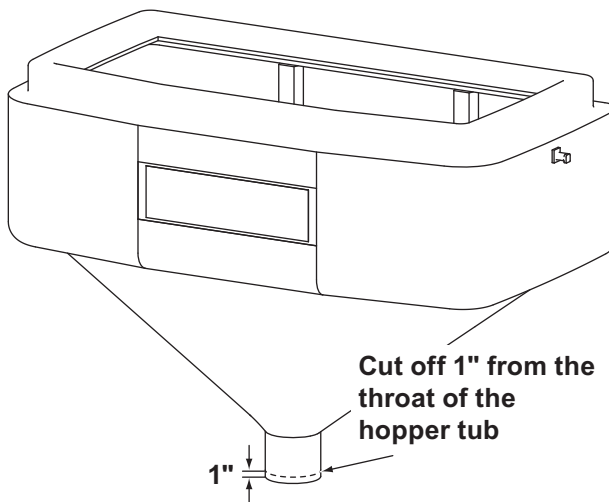


8. Slide the open gate over the spinner shaft and over the frame bolts. Position the gate so the side with the cable attached is on the left-hand side. Reinstall the flange locknuts and tighten them finger tight. Make sure the gate is level. The top of the gate should fit under the frame.



9. Attach the auger that came in the kit to the spinner. Apply medium-strength threadlocker and tighten down with the set screw. Ensure the set screw is on the flat of the shaft.

10. Cut off 1" from the hopper tub throat. Reinstall the tub into the frame. The tub should fit snugly into the gate opening. Once the tub is fit in, make sure the gate is properly positioned by pushing it up until it is flush with the hopper throat or the frame. Remove the flange locknuts holding the gate to the frame.



11. Reinstall the spreader shroud by turning it upside down and putting the clamp over the gate assembly kit (refer to the drawing in Step 8). Torque the throat clamp flange nuts to 31 ft-lb. Tighten the fasteners that hold the tub to the frame.

Copyright © 2016 Douglas Dynamics, LLC. All rights reserved. This material may not be reproduced or copied, in whole or in part, in any printed, mechanical, electronic, film or other distribution and storage media, without the written consent of the company. Authorization to photocopy items for internal or personal use by the company's outlets or spreader owner is granted.

The company reserves the right under its product improvement policy to change construction or design details and furnish equipment when so altered without reference to illustrations or specifications used. This equipment manufacturer or the vehicle manufacturer may require or recommend optional equipment for spreaders. Do not exceed vehicle ratings with a spreader. The company offers a limited warranty for all spreaders and accessories. See separately printed page for this important information.

**Printed in U.S.A.**

---