



HD UTV V-Plow
Blade Assembly 77765
Attachment Assembly 77865
Parts List and Accessories

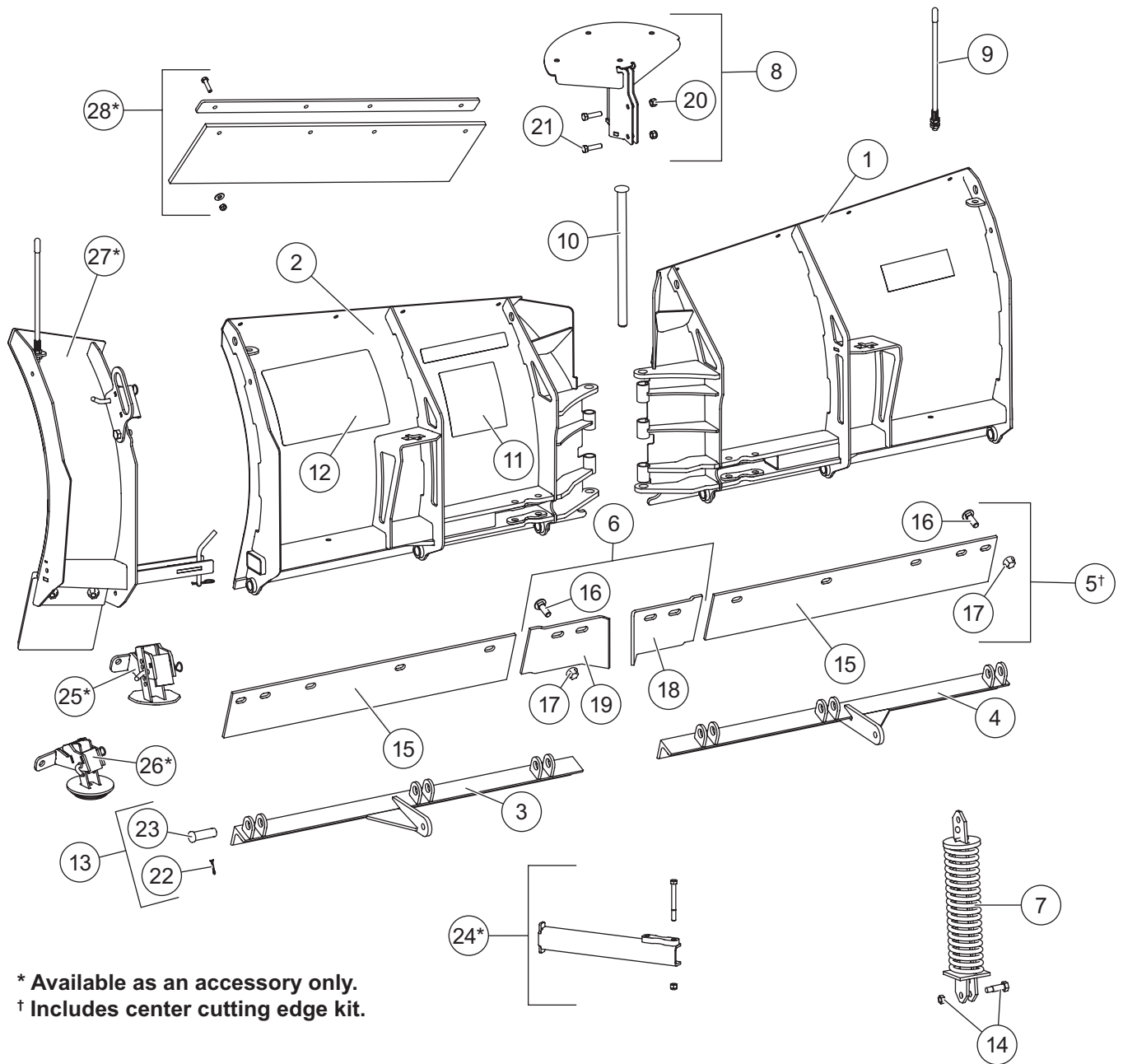


TABLE OF CONTENTS

UTV V-PLOW BLADE ASSEMBLY	4
HEADGEAR AND T-FRAME ASSEMBLY	6
HYDRAULIC COMPONENTS	6
Hydraulic Unit.....	8
Lift and Angle Rams	10
Hoses and Fittings	11
VEHICLE-SIDE HARNESS DIAGRAM	12

UTV V-PLOW BLADE ASSEMBLY

Blade Components



* Available as an accessory only.
 † Includes center cutting edge kit.

UTV V-PLOW BLADE ASSEMBLY

UTV V-Plow Blade Components							
Item	Part	Qty	Description	Item	Part	Qty	Description
1	83619	1	Blade – PS (incl. base angle, trip spring, and labels)	8	87288	1	Snow Control Kit
2	83618	1	Blade – DS (incl. base angle, trip spring, and labels)	9	92075	1	Blade Guides
3	83612	1	Base Angle – DS	10	51702	1	3/4 x 12-5/8 Pin
4	83613	1	Base Angle – PS	11	84847	1	Label – Warning/Caution, Snowplow
5†	84825	1	Cutting Edge Kit w/Fasteners	12	88335	1	Label – Attach/Detach, UTV
6	83639	1	Center Cutting Edge Kit w/Fasteners	13	84844	6	3/4 x 2-3/16 Pin Kit
7	21452	2	Removable Spring Assembly	14	83624	1	Shoulder Bolt w/Locknut Kit
				ns	77716	1	Label – Logo, SnowEx®
				ns	84773	1	Label – Logo, UTV
Item 5†				84825 Cutting Edge Kit w/Fasteners			
6	83639	1	Center Cutting Edge Kit w/Hardware	16		10	1/2-13 x 1-1/2 Carriage Bolt G8
15	84826	2	1/4 Cutting Edge	17		10	1/2-13 Flanged Locknut
Item 6				83639 Center Cutting Edge Kit w/Fasteners			
16		4	1/2-13 x 1-1/2 Carriage Bolt G8	18	84323	1	Center Cutting Edge, UTV – PS
17		4	1/2-13 Flanged Locknut	19	84325	1	Center Cutting Edge, UTV – DS
Item 8				87288 Snow Control Kit			
		1	Snow Control	21		2	3/8-16 x 1-1/2 Hex Cap Screw
20		2	3/8-16 Hex Locknut GB				
Item 13				84844 3/4 x 2-3/16 Pin Kit			
22		1	5/32 x 1-1/4 Cotter Pin	23		1	3/4 x 2-3/16 Pin
Item 14				83624 Shoulder Bolt w/Locknut Kit			
		1	7/16-14 x 1-5/8 Hex Shoulder Bolt			1	7/16-14 Hex Locknut GB
ns = not shown				G = Grade			

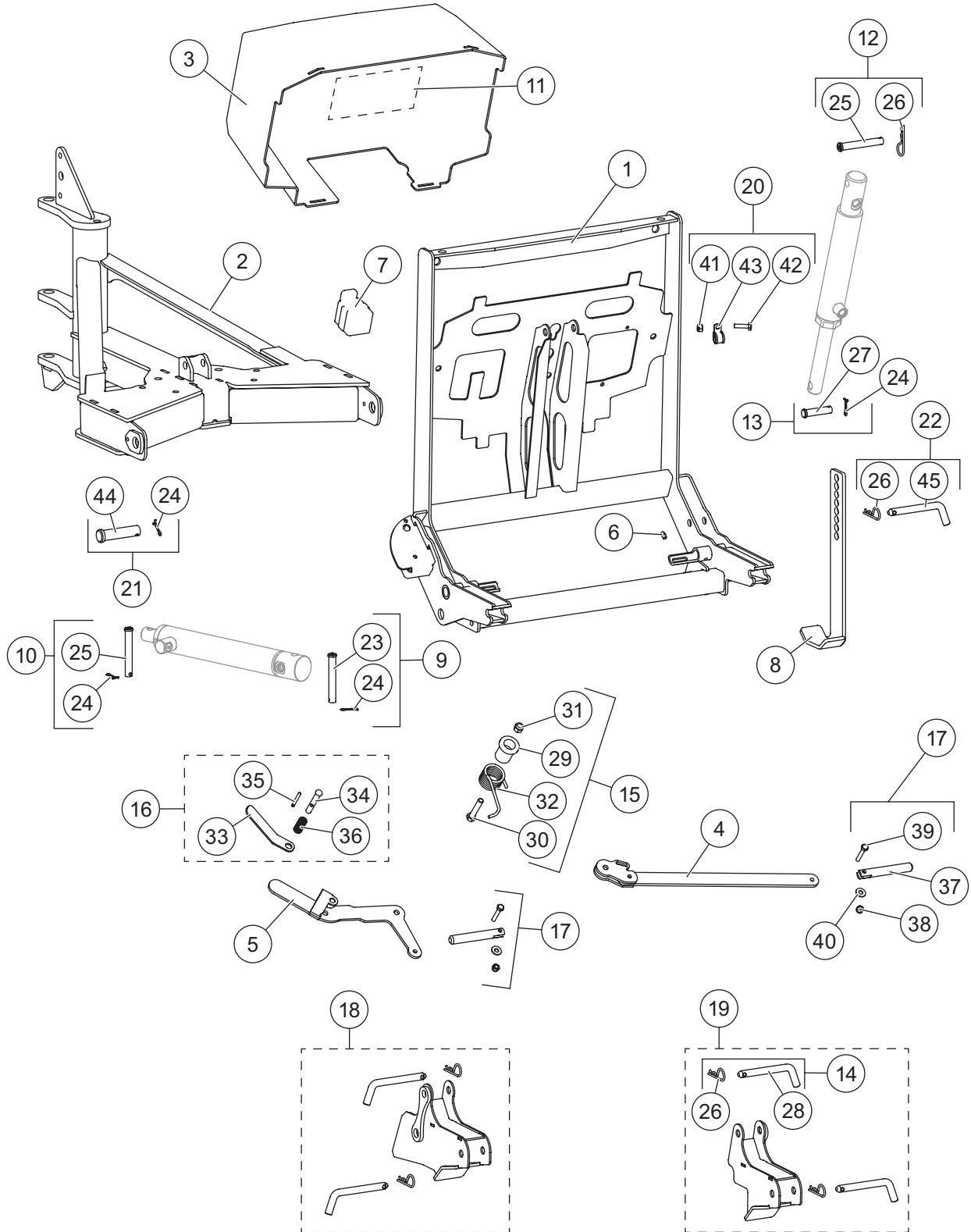
† Includes center cutting edge kit.

UTV V-Plow Blade Accessories							
Item	Part	Qty	Description	Item	Part	Qty	Description
24*	83616	1	Blade Stop Kit (pair)	27*	52657	1	Accessory Wing Kit (pair)
25*	52656	1	Accessory Shoe Kit (pair)	28*	52653	1	Deflector Kit (pair)
26*	83852	1	Extreme Wear Shoe Kit (pair)				

* Accessory only.

UTV V-PLOW HEADGEAR AND T-FRAME ASSEMBLY

Headgear and T-Frame Components

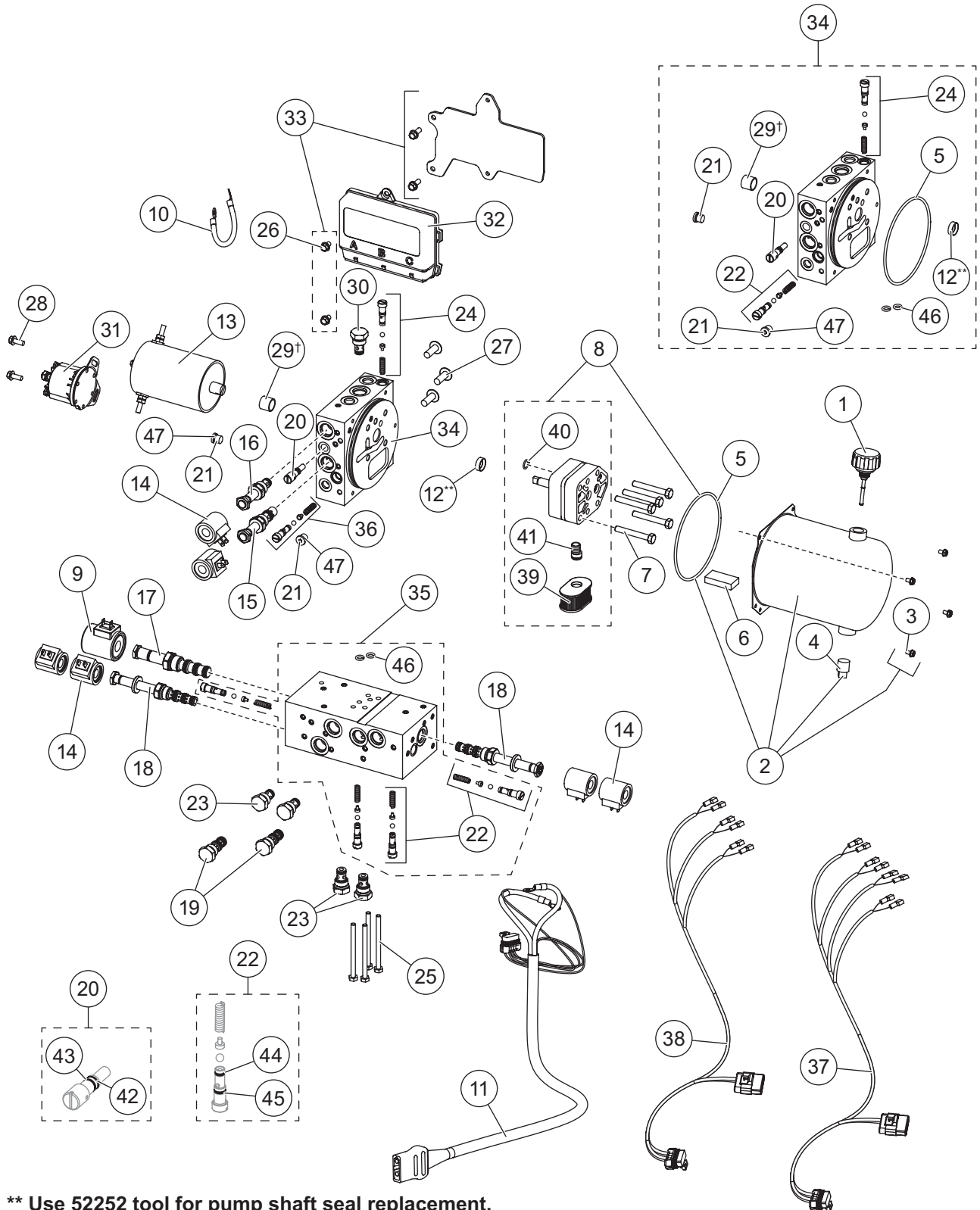


UTV V-PLOW HEADGEAR AND T-FRAME ASSEMBLY

UTV V-Plow Headgear and T-Frame Components							
Item	Part	Qty	Description	Item	Part	Qty	Description
1	84361	1	Headgear	12	85199	1	Lift Ram Base Pin Kit
2	83628	1	T-Frame	13	84627	1	Lift Ram Rod Pin Kit
3	84843	1	Hydraulic Cover (incl. item 11)	14	84610	4	Receiver Pin Kit
4	83635	1	Link	15	83636	1	Torsion Spring/Spacer Kit
5	83634	1	Handle	16	83633	1	Attach Handle Release Cam Kit
6	84616	1	Grease Zerk (pkg of 3)	17	84602	2	Hitch Pin Kit
7	61246	1	Cable Boot	18	83637	1	Receiver Kit, DS
8	84846	1	Stand	19	83638	1	Receiver Kit, PS
9	83629	2	Angle Ram Base Pin Kit	20	84778	1	Power Cable Clamp Loop Kit
10	85198	2	Angle Ram Rod Pin Kit	21	83630	2	T-Frame Pin Kit
11	43862	1	Label - Information, Hydraulic	22	83825	1	Stand Pin Kit
Item 9				83629 Angle Ram Base Pin Kit			
23		1	1/2 x 3-11/16 Clevis Pin HT	24		1	5/32 x 1-1/2 Cotter Pin
Item 10				85198 Angle Ram Rod Pin Kit			
24		1	5/32 x 1-1/2 Cotter Pin	25		1	1/2 x 2-7/8 Clevis Pin HT
Item 12				85199 Lift Ram Base Pin Kit			
25		1	1/2 x 2-7/8 Clevis Pin HT	26		1	1/8 Hairpin Cotter
Item 13				84627 Lift Ram Rod Pin Kit			
24		1	5/32 x 1-1/2 Cotter Pin	27		1	1/2 x 2-1/8 Clevis Pin HT
Item 14				84610 Receiver Pin Kit			
26		1	1/8 Hairpin Cotter	28		1	1/2 x 4 Clevis Pin
Item 15				83636 Torsion Spring/Spacer Kit			
29		1	Spacer, Handle Spring	31		1	3/8-16 Hex Locknut GB
30		1	3/8-16 x 2-1/4 Hex Cap Screw G5	32		1	Torsion Spring
Item 16				83633 Attach Handle Release Cam Kit			
33		1	Handle Lock Pin Lever	35		1	3/16 x 1-3/8 Spring Pin SS
34		1	Lock Pin	36		1	Stand Lock Pin Spring
Item 17				84602 Hitch Pin Kit			
37		1	Hitch Pin	39		1	1/4-20 x 1-1/2 Hex Cap Screw SS
38		1	1/4-20 Hex Locknut GB	40		1	1/4 Flat Washer Type A Wide
Item 18				83637 Receiver Kit, DS			
		1	Receiver, DS	14		2	Receiver Pin Kit
Item 19				83638 Receiver Kit, PS			
		1	Receiver, PS	14		2	Receiver Pin Kit
Item 20				84778 Power Cable Clamp Loop Kit			
41		1	1/4-20 Hex Locknut GB	43		1	#10 Clamp Loop
42		1	1/4-20 x 1 Hex Cap Screw G5				
Item 21				83630 T-Frame Pin Kit			
24		1	5/32 x 1-1/2 Cotter Pin	44		1	3/4 x 3 Clevis Pin
Item 22				83825 Stand Pin Kit			
26		1	1/8 Hairpin Cotter	45		1	3/8 x 2-3/8 Clevis Pin
			G = Grade				HT = Heat Treated
							SS = Stainless Steel

UTV V-PLOW HYDRAULIC COMPONENTS

Hydraulic Unit Components



** Use 52252 tool for pump shaft seal replacement.

† Use 52251 tool for bearing sleeve replacement.

UTV V-PLOW HYDRAULIC COMPONENTS

52652 Hydraulic Unit UTV V-Plow							
Item	Part	Qty	Description	Item	Part	Qty	Description
1	66525	1	Reservoir Filler Breather	21	44344	2	Plug, Hex Socket –4 M ORB
2	52289	1	Reservoir Kit	22	52283	2	Relief Valve Kit (2 sets)
3	66607	4	#10-24 x 5/16 Machine Screw	23	48287	4	Check Valve CV08-20
4	92079	1	Plug, Square 3/8 NPTF	24	52284	1	Relief Valve Repair Kit (1 set)
5	66519	1	O-Ring 2-250	25	90696	4	1/4-20 x 3-1/2 Hex Cap Screw G5
6	73897	1	Magnet	26	43988	2	1/4-20 x 3/8 Hex Washer-Head Thread-Rolling Screw
7	90073	5	5/16-18 x 2-1/4 Hex Cap Screw G5	27	98043	3	3/8-16 x 1 Button Cap Screw
8	52553	1	Pump Kit	28	44355	4	1/4-20 x 5/8 Hex Washer-Head Thread-Rolling Screw
9	84901	1	Coil 10 w/Spades	29†	56364	1	Sleeve Bearing
10	29071	1	Cable Assembly, 8"	30	84934	1	Check Valve
11	52291	1	Cable Assembly, Plow	31	52290	1	Motor Relay
12**	66515	1	Pump Shaft Seal	32	52292-1	1	Plow Module
13	52299	1	Motor Assembly 3"	33	52293-1	1	Module Plate
14	52294	6	Coil w/Spade Terminals	34	52551	1	Primary Manifold, w/o Valves
15	49489	1	Valve, SVCV08-20 w/Nut	35	52552	1	Secondary Manifold, w/o Valves
16	84936	1	Valve, 2-Way NC w/Rev Flow	36	52282	1	Relief Valve (1 set)
17	84900	1	Valve, 4-Way SV10-43 w/Nut	37	52215	1	Plow Control Harness, 4-Coil
18	52285	2	Valve, 4-Way 3-Position Closed Center w/Nut and Spacer	38	52217	1	Plow Control Harness, 3-Coil
19	49488	2	Valve, PC08-30 w/Nut				
20	48517	1	Quill				
Item 2				52289 Reservoir Kit			
		1	Reservoir	4	92079	1	Plug, Square 3/8 NPTF
3	66607	4	#10-24 x 5/16 Machine Screw	5	66519	1	O-Ring 2-250
Item 8				52553 Pump Kit			
		1	Pump	40	56274	1	O-Ring -013
5	66519	1	O-Ring 2-250	41	10887	1	Hydraulic Pump Inlet Fitting
39	48281	1	Suction Filter				
Item 20				48517 Quill			
42	48239	1	O-Ring -106	43	48240	1	Back-Up Ring -106
Item 22				52283 Relief Valve Kit			
44	55371	6	O-Ring -008	45	25731	6	O-Ring -010
Item 34				52551 Primary Manifold w/o Valves			
5	66519	1	O-Ring 2-250	24	52284	1	Relief Valve Repair Kit (1 set)
12**	66515	1	Pump Shaft Seal	29†	56364	1	Sleeve Bearing
20	48517	1	Quill	46	43818	2	O-Ring -109
21	44344	2	Plug, Hex Socket –4 M ORB	47	44343	2	O-Ring -904
22	52283	2-1/2	Relief Valve Kit (2 sets)				
Item 35				52552 Secondary Manifold w/o Valves			
22	52283	2	Relief Valve Kit (2 sets)	46	43818	2	O-Ring -109
O-Ring Service Kits							
ns	52298-3		O-Ring Kit (does not contain O-rings for valves)	ns	48309		Seal Kit, 3-Way and 4-Way Valve
ns	48310		Seal Kit, 2-Way Valves	ns	84909		Seal Kit, Size 10, 3-Way and 4-Way Valve
ns = not shown				M = Male		G = Grade	

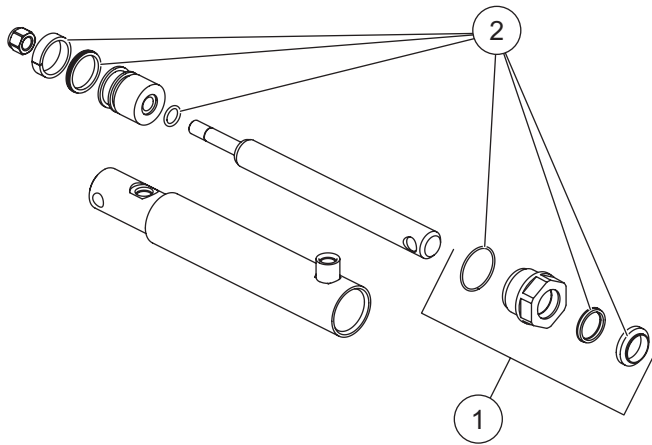
** Use 52252 tool for pump shaft seal replacement (includes 1 seal).

† Use 52251 tool for bearing sleeve replacement (includes 1 bearing).

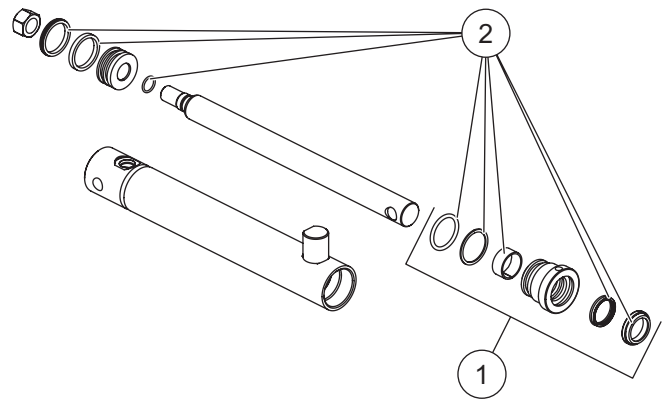
Go to www.snowexproducts.com for hydraulic unit service information and specifications.

UTV V-PLOW HYDRAULIC COMPONENTS

Lift and Angle Ram Components



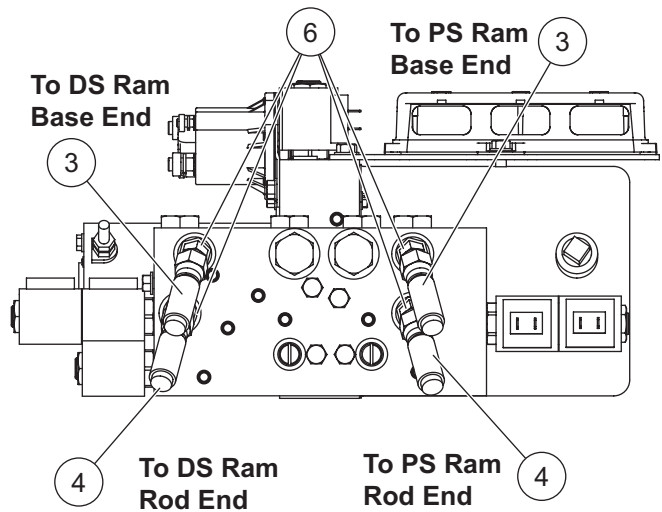
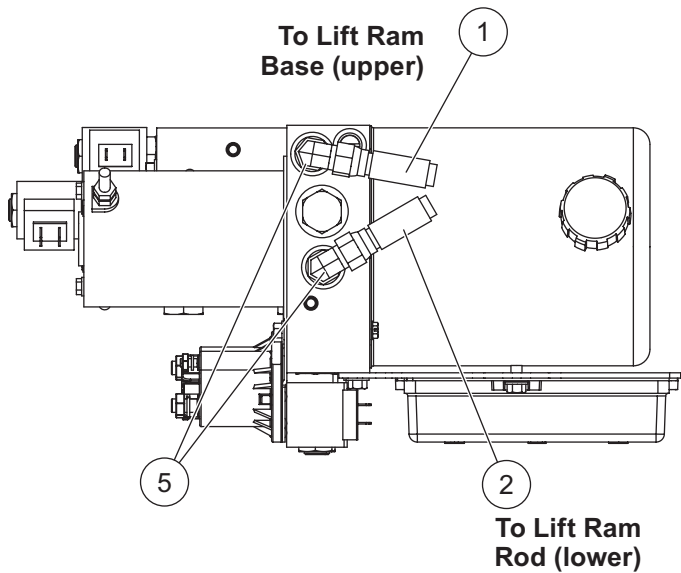
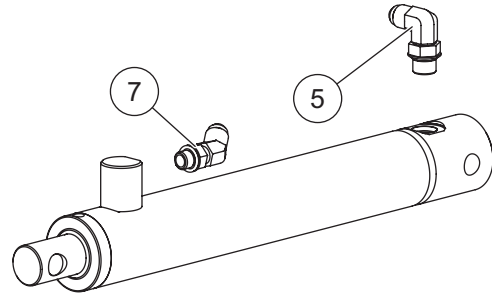
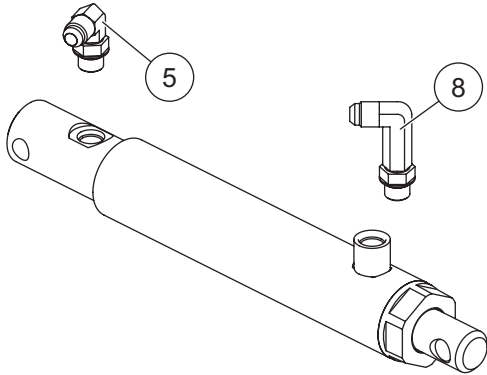
77486 Lift Ram Assembly 1-1/2 x 6			
Item	Part	Qty	Description
1	52277	1	1" Gland Nut Assembly
2	52302	1	Seal Kit 1-1/2 DA Ram



84435 Wing Ram Assembly 1-1/2 x 8-3/4 DA			
Item	Part	Qty	Description
1	52558	1	1" Gland Nut Assembly
2	52557	1	Seal Kit 1-1/2 DA Ram

UTV V-PLOW HYDRAULIC COMPONENTS

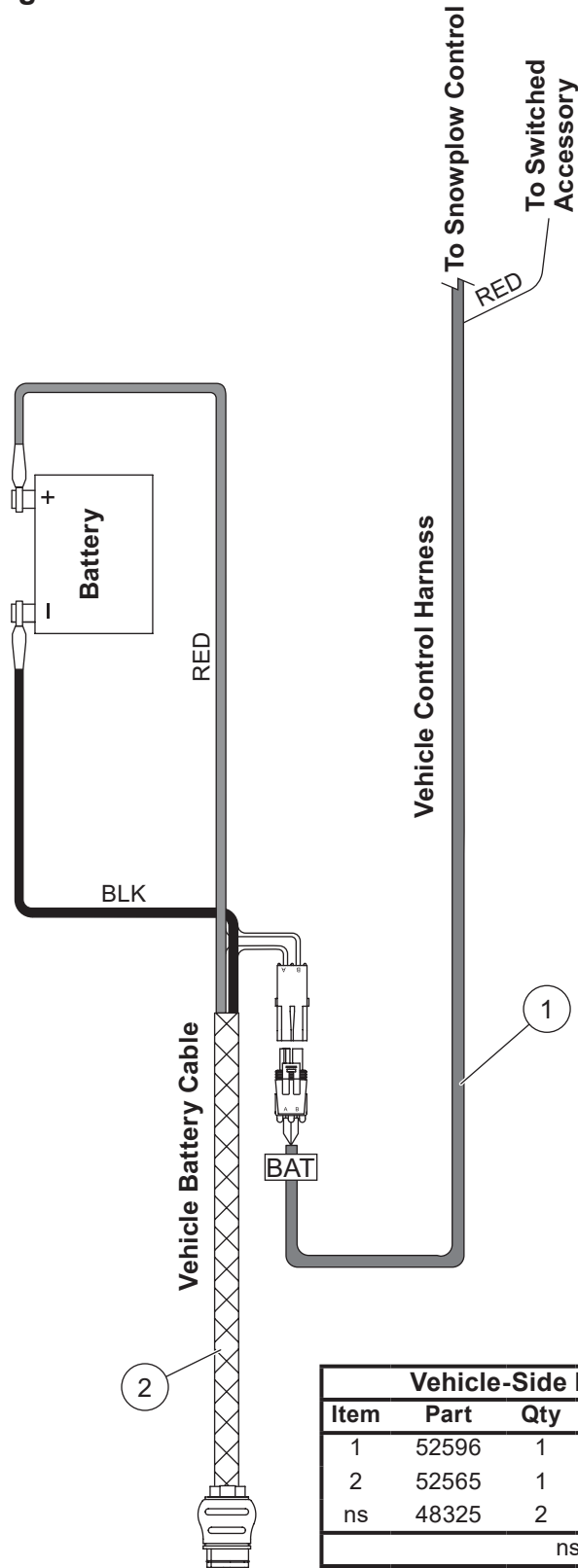
Hoses and Fittings



Hoses and Fittings							
Item	Part	Qty	Description	Item	Part	Qty	Description
1	84446	1	Hose, 1/4 x 14 w/F JIC Ends	6	48333	4	Elbow, 45° -6 M JIC/-6 M ORB
2	84453	1	Hose, 1/4 x 20 w/F JIC Ends	7	41093	2	Elbow, 45° -6 M JIC/-4 M ORB
3	84810	2	Hose, 1/4 x 32 w/F JIC Ends	8	40572	1	Elbow, Extra Long 90° -6 M JIC/-6 M ORB
4	84811	2	Hose, 1/4 x 36 w/F JIC Ends				
5	56615-1	5	Elbow, 90° -6 M JIC/-6 M ORB				
F = Female				M = Male			

UTV V-PLOW VEHICLE-SIDE HARNESS DIAGRAM

Vehicle-Side Harness Diagram



Vehicle-Side Electrical Components			
Item	Part	Qty	Description
1	52596	1	Vehicle Control Harness
2	52565	1	Vehicle Battery Cable
ns	48325	2	Plug Cover
ns = not shown			



TrynEx International, LLC
531 Ajax Drive
Madison Heights, MI 48071-2429
www.snowexproducts.com

 A DIVISION OF DOUGLAS DYNAMICS, LLC

Copyright © 2023 Douglas Dynamics, LLC. All rights reserved. This material may not be reproduced or copied, in whole or in part, in any printed, mechanical, electronic, film, or other distribution and storage media, without the written consent of TrynEx International, LLC. Authorization to photocopy items for internal or personal use by TrynEx International outlets or snowplow owner is granted.

TrynEx International reserves the right under its product improvement policy to change construction or design details and furnish equipment when so altered without reference to illustrations or specifications used. TrynEx International or the vehicle manufacturer may require or recommend optional equipment for snow removal. Do not exceed vehicle ratings with a snowplow. TrynEx International offers a limited warranty for all snowplows and accessories. See separately printed page for this important information. The following is a registered (®) trademark of Douglas Dynamics, LLC: SnowEx®.

Printed in U.S.A.