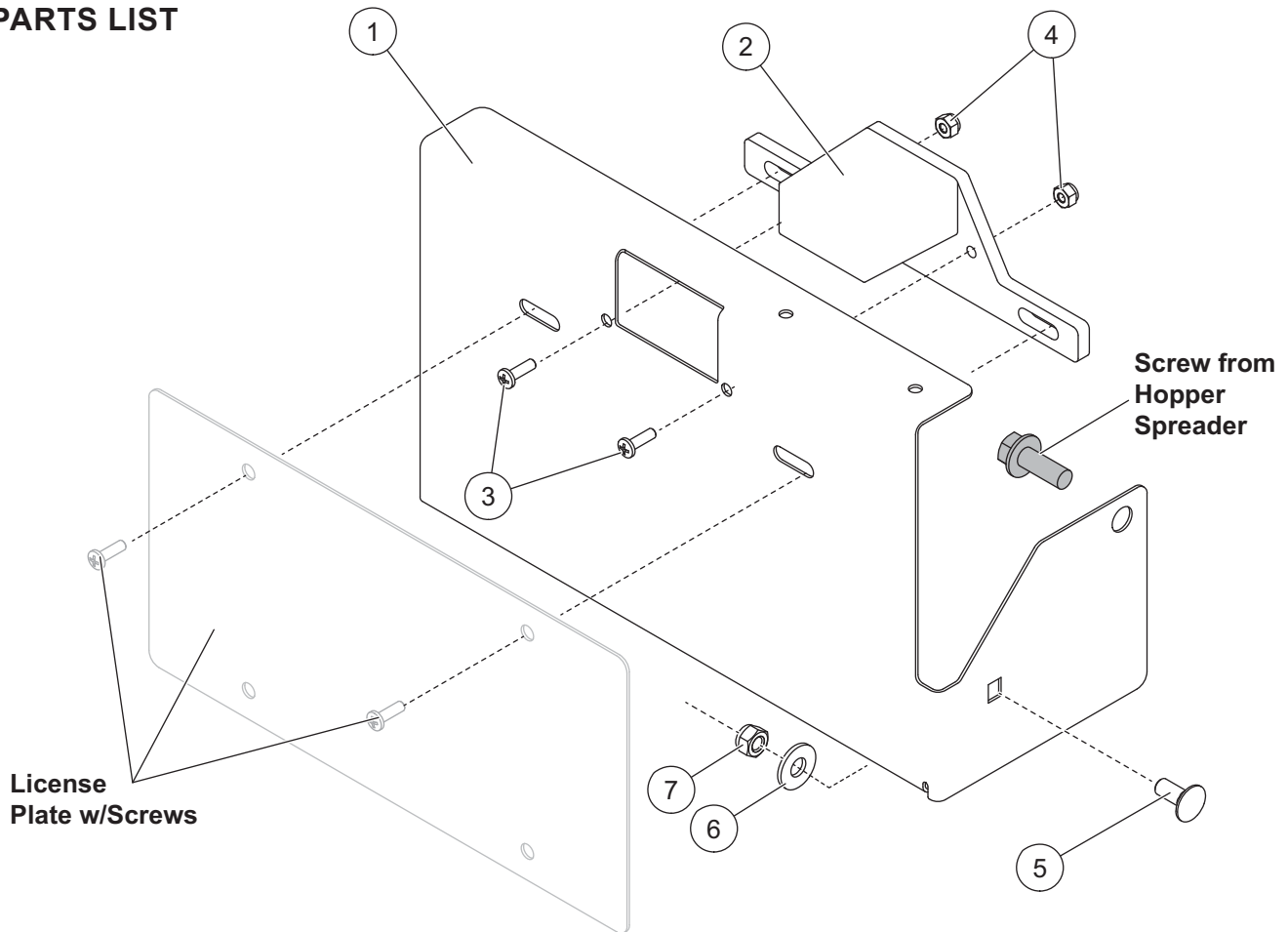


License Plate Light Kit

HELIXX™ Stainless Steel Hopper Spreaders

PARTS LIST



92178 License Plate Light Kit							
Item	Part	Qty	Description	Item	Part	Qty	Description
1	51310	1	License Plate Bracket	ns	51330	1	Bolt Bag
2	68298	1	Plate Light Service Kit				
51330 Bolt Bag							
3		2	#10-32 x 5/8 Machine Screw SS	7		1	5/16-18 Hex Locknut GB SS
4		2	#10-32 Locknut SS	ns		1	Ring Terminal, Insulated, .375 Stud, 14-16 ga
5		1	5/16-18 x 3/4 Carriage Bolt SS				
6		1	5/16 Flat Washer Type A Narrow SS	ns		2	Butt Splice
ns = not shown				SS = Stainless Steel			

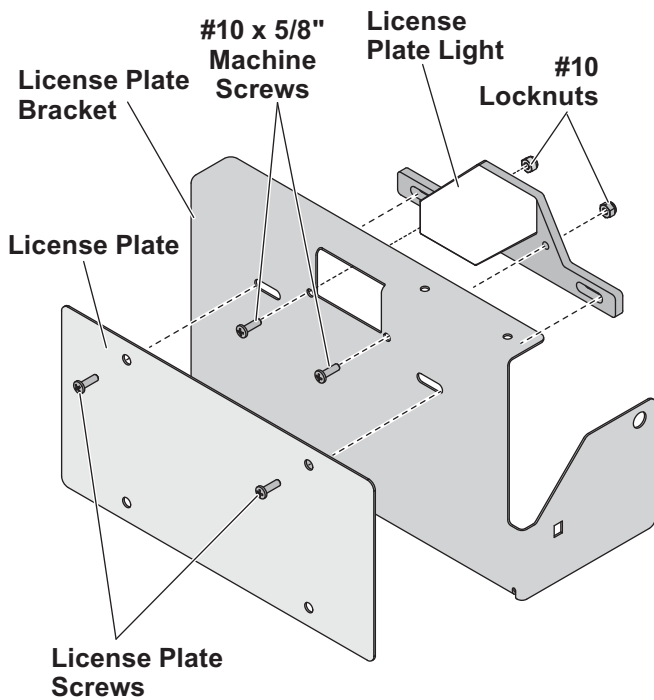
INSTALLATION INSTRUCTIONS

⚠ CAUTION
 Read this document before installing the license plate light kit.

⚠ CAUTION
 Use standard methods and practices when attaching spreader and installing accessories, including proper personal protective safety equipment.

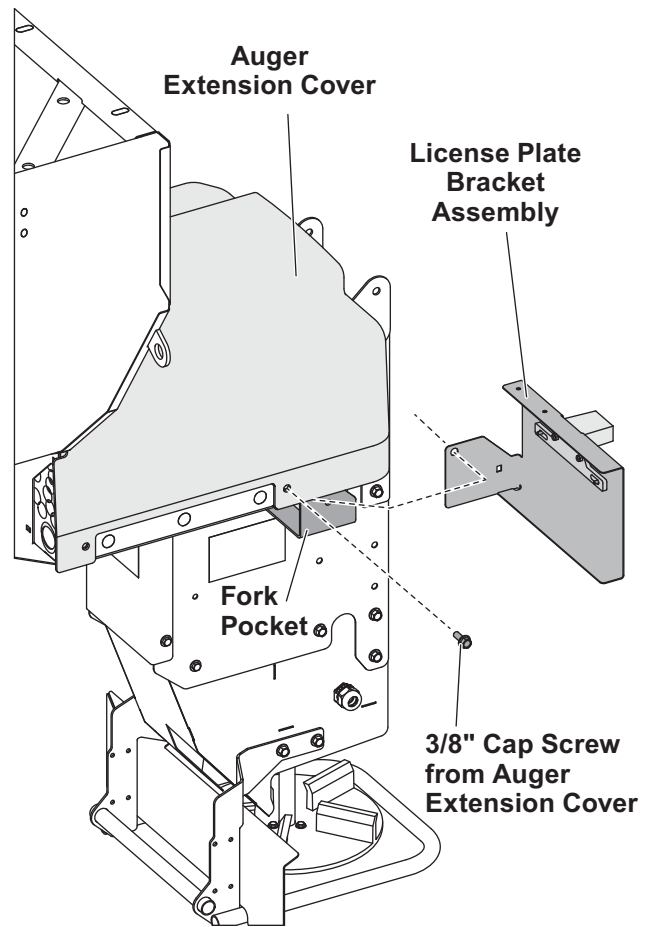
Park the vehicle on a smooth, level, hard surface, such as concrete. Turn the vehicle ignition OFF and remove the key.

- Using the two #10 x 5/8" screws and #10 locknuts, fasten the license plate light to the steel license plate bracket.

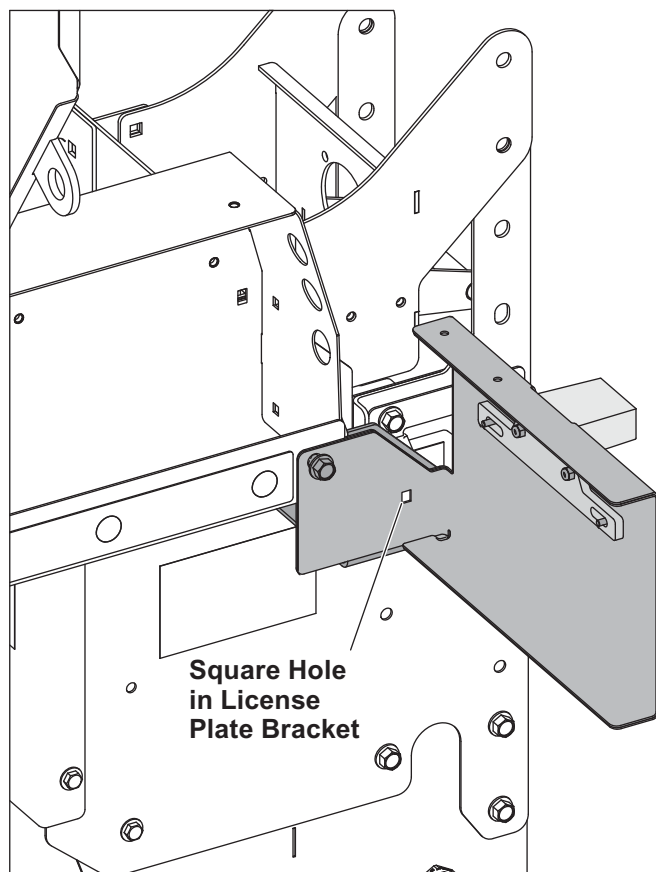


- Using the two license plate screws, attach the license plate to the bracket and plate light.

- Remove the rearmost 3/8" cap screw on the driver's side of the auger extension cover.
- Position the license plate bracket assembly under the auger extension cover. Insert the 3/8" cap screw removed in Step 3 back through the auger extension cover and through the hole in the license plate bracket. Finger tighten the fasteners.



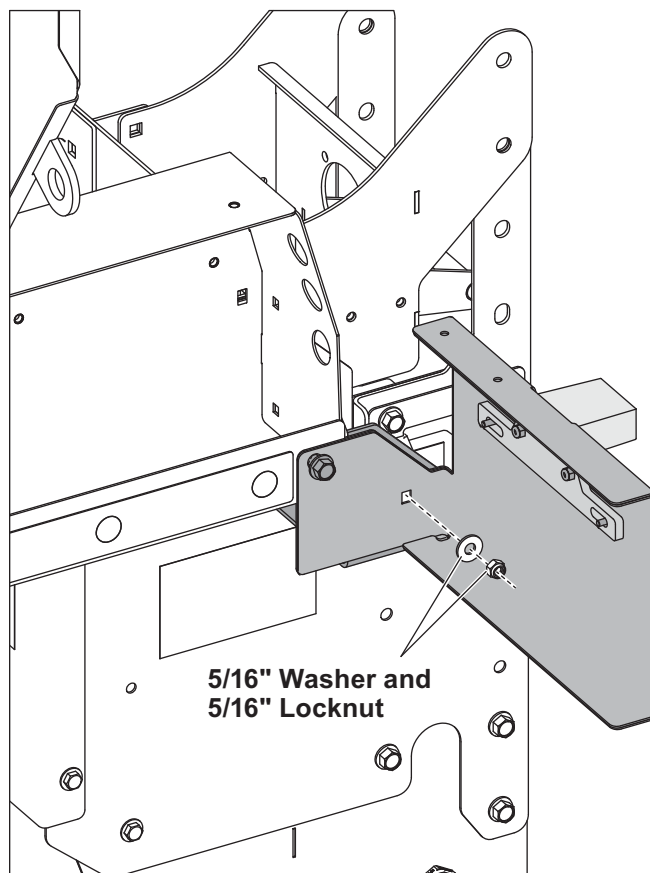
5. Position the license plate bracket assembly so that the square hole in the bracket is aligned with the hole in the fork pocket.



Shown with auger extension cover hidden.

6. Insert the 5/16" x 3/4" carriage bolt through the fork pocket hole and out through the square hole in the license plate bracket.

7. Fasten the carriage bolt with a 5/16" washer and 5/16" locknut.



8. Fully tighten the fasteners.

Install the Harness

Route the license plate lamp electrical lead through a grommet on the electrical box.

Electrical Connections—Hopper-Side

1. Remove the electrical box cover.
2. Locate the 2-pin connector (brown and black wire) on the spinner harness (PN 80100). Unplug the connector from the main harness and pull the brown wire out of the convoluted tubing. Strip the insulation so that approximately 1/4" of wire is exposed.
3. Locate the black and white leads from the license plate lamp. Strip the insulation so that approximately 1/4" of wire is exposed.
4. Crimp the supplied ring terminal to the black wire and cover it with heat shrink tubing.
5. Crimp the white wire from the plate light to the brown wire on the spinner harness using the supplied butt connector.
6. Connect the ring terminal to the NEGATIVE (-) side of the isolation block.
7. Reconnect the 2-pin connector of the spinner harness to the main harness.

Electrical Connections—Vehicle-Side

1. Locate a spot on the vehicle harness assembly approximately 20" up from the main molded connector.
2. At this spot open the convoluted tubing that covers the cable assembly and pull out the brown wire.
3. Splice this brown wire to the vehicle license plate lamp or park lamp circuit.

Copyright © 2021 Douglas Dynamics, LLC. All rights reserved. This material may not be reproduced or copied, in whole or in part, in any printed, mechanical, electronic, film or other distribution and storage media, without the written consent of the company. Authorization to photocopy items for internal or personal use by the company's outlets or spreader owner is granted.

The company reserves the right under its product improvement policy to change construction or design details and furnish equipment when so altered without reference to illustrations or specifications used. This equipment manufacturer or the vehicle manufacturer may require or recommend optional equipment for spreaders. Do not exceed vehicle ratings with a spreader. The company offers a limited warranty for all spreaders and accessories. See separately printed page for this important information. The following is an unregistered (™) trademark of Douglas Dynamics, LLC: HELIXX™.