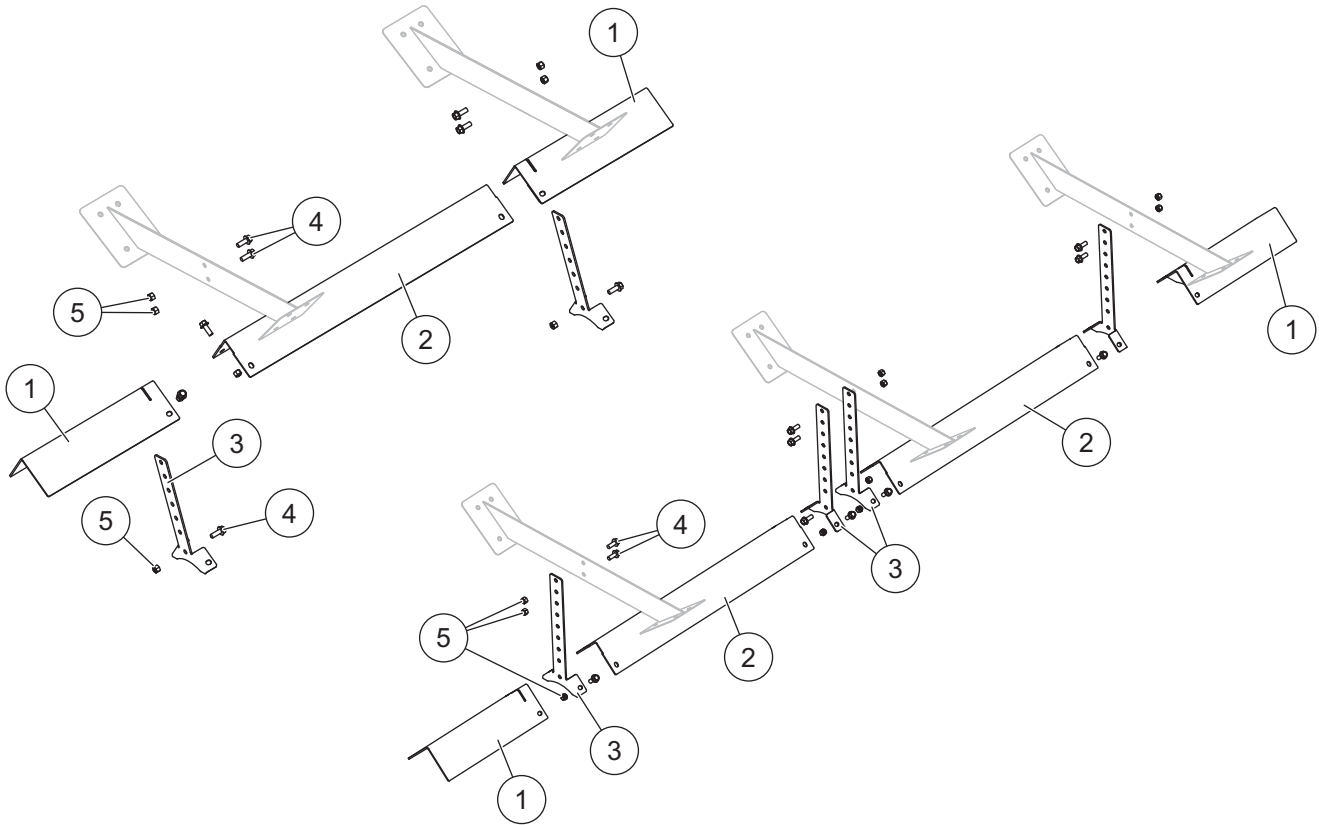


Inverted V Kit

HELIXX™ Poly Hoppers (1.5, 2.25, 3.5 & 5.0 yd³)

PARTS LIST



11961 (1.5 & 2.25 yd ³ Poly Hopper) / 11963 (3.5 & 5.0 yd ³ Poly Hopper) Inverted V Kit									
Item	Part	Qty		Description	Item	Part	Qty		Description
		11961	11963				11961	11963	
1	12011	2	2	Inverted V Extension	3	12007	2	4	Inverted V Hanger Bar
2	12009	1	2	Long Inverted V	ns	12006	1	1	Bolt Bag
12006 Bolt Bag									
4		15	17	3/8-16 x 1 Hex Cap Screw SS	5		15	17	3/8-16 Locknut GB SS
				ns = not shown				G = Grade	SS = Stainless Steel

⚠ WARNING

Do not exceed GVWR or GAWR ratings as found on the driver-side vehicle door cornerpost.

⚠ CAUTION

Read this document before installing the inverted V kit.

INSTALLATION INSTRUCTIONS

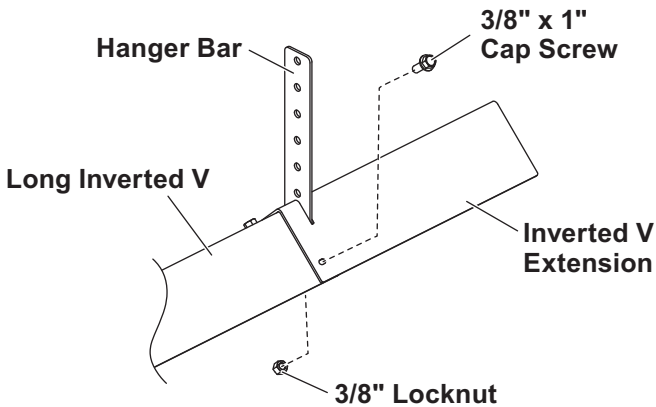
⚠ CAUTION

Use standard methods and practices when attaching spreader and installing accessories, including proper personal protective safety equipment.

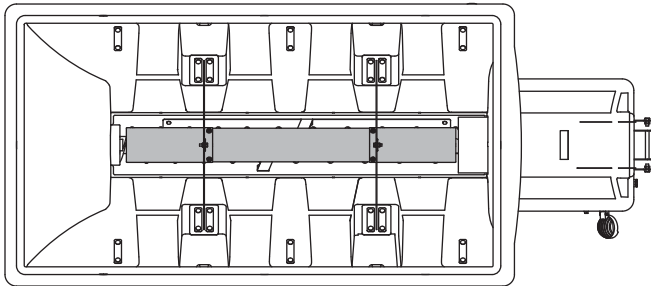
Park the vehicle on a smooth, level, hard surface, such as concrete. Turn the vehicle ignition to the "OFF" position and remove the key.

Installation for 1.5 and 2.25 yd³ Spreader

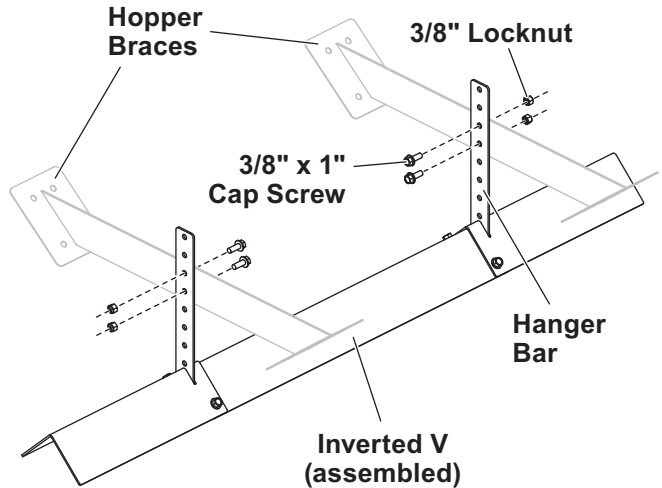
1. Insert the hanger bars through the inverted V extensions and attach to the long inverted V using two 3/8" x 1" cap screws and two 3/8" locknuts per hanger bar. Hand tighten the fasteners.



2. Position the inverted V assembly in the hopper as shown below.



3. Attach the inverted V assembly to the hopper braces using two 3/8" x 1" cap screws and two 3/8" locknuts per hanger bar. Do not use the top two holes in the hanger bars.

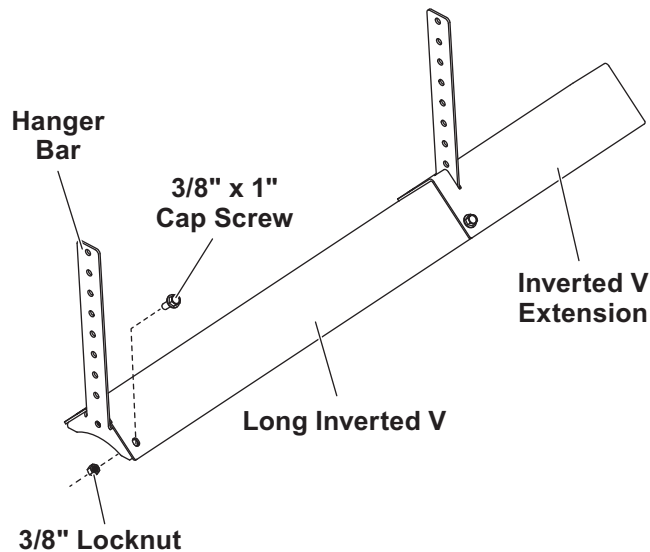


NOTE: The above steps result in an initial inverted V height adjustment. Final adjustment depends on the type of material being spread. See the Final Height Adjustment section.

4. Torque all fasteners to 31 ft-lb.

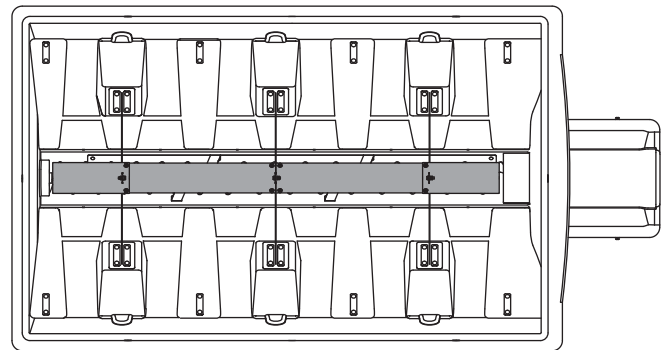
Installation for 3.5 and 5.0 yd³ Spreaders

1. Insert one hanger bar through each inverted V extension. Attach hanger bars to the ends of each long inverted V using two 3/8" x 1" cap screws and two 3/8" locknuts per hanger bar. Hand tighten the fasteners.



NOTE: There will be two separate long inverted V sections, both with a hanger bar at each end of the section, and an inverted V extension on the outer end.

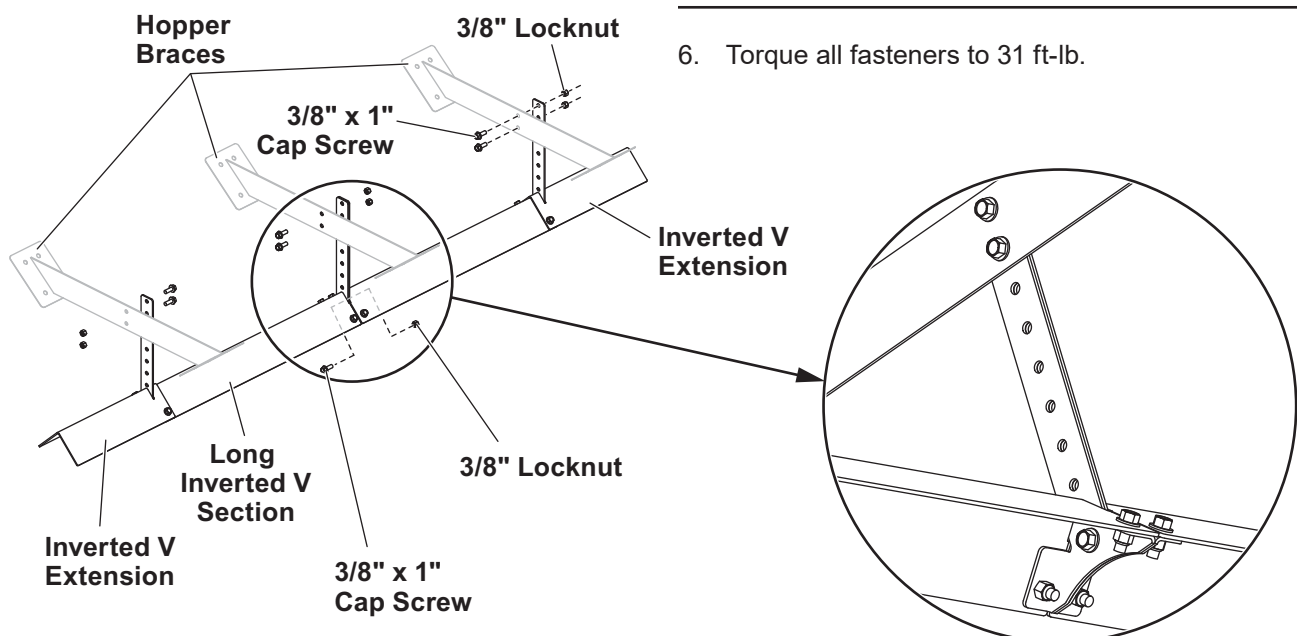
2. Position the inverted V in the hopper as shown.



3. Attach a long inverted V assembly to each of the outer hopper braces using two 3/8" x 1" cap screws and two 3/8" locknuts per outer hanger bar.
4. With the two inner hanger bars placed back-to-back, secure them to the middle hopper brace using two 3/8" x 1" cap screws and two 3/8" locknuts as shown below.
5. Fasten the two long inverted V sections together by inserting a 3/8" x 1" cap screw through the bottom of the two inner hanger bars. Secure with a 3/8" locknut. See the illustration below.

NOTE: The previous steps result in an initial inverted V height adjustment. Final adjustment depends on the type of material being spread. See the Final Height Adjustment section.

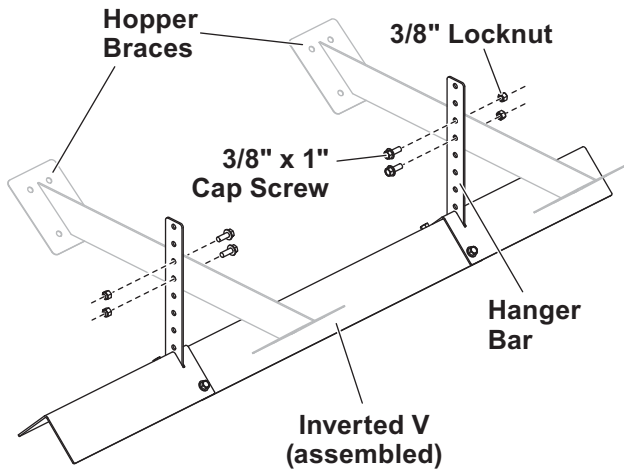
6. Torque all fasteners to 31 ft-lb.



FINAL HEIGHT ADJUSTMENT

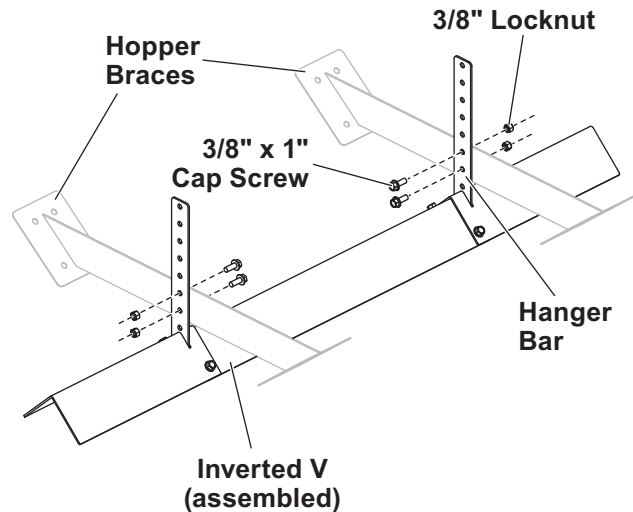
NOTE: The installed height of the inverted V is adjustable in 1-1/2" increments.

1. Remove the fasteners connecting the hanger bars to the hopper braces (two per hanger bar).



1.5 & 2.25 yd³ hopper configuration is shown.

2. Reposition the height of the hanger bars on the hopper braces, aligning the mounting holes.



1.5 & 2.25 yd³ hopper configuration is shown.

3. Reinstall the fasteners removed in Step 1.
4. Torque all fasteners to 31 ft-lb.

NOTE: Lowering the inverted V mounting height reduces the load on the auger, but may restrict material flow with certain materials. Raising the mounting height reduces flow restriction, but increases auger load.

Copyright © 2019 Douglas Dynamics, LLC. All rights reserved. This material may not be reproduced or copied, in whole or in part, in any printed, mechanical, electronic, film, or other distribution and storage media, without the written consent of TrynEx International, LLC. Authorization to photocopy items for internal or personal use by the TrynEx International outlets or spreader owner is granted.

TrynEx International reserves the right under its product improvement policy to change construction or design details and furnish equipment when so altered without reference to illustrations or specifications used. TrynEx International or the vehicle manufacturer may require or recommend optional equipment for spreaders. Do not exceed vehicle ratings with a spreader. TrynEx International offers a limited warranty for all spreaders and accessories. See separately printed page for this important information. The following are registered (®) or unregistered (™) trademarks of Douglas Dynamics, LLC: HELIXX™, SnowEx®.