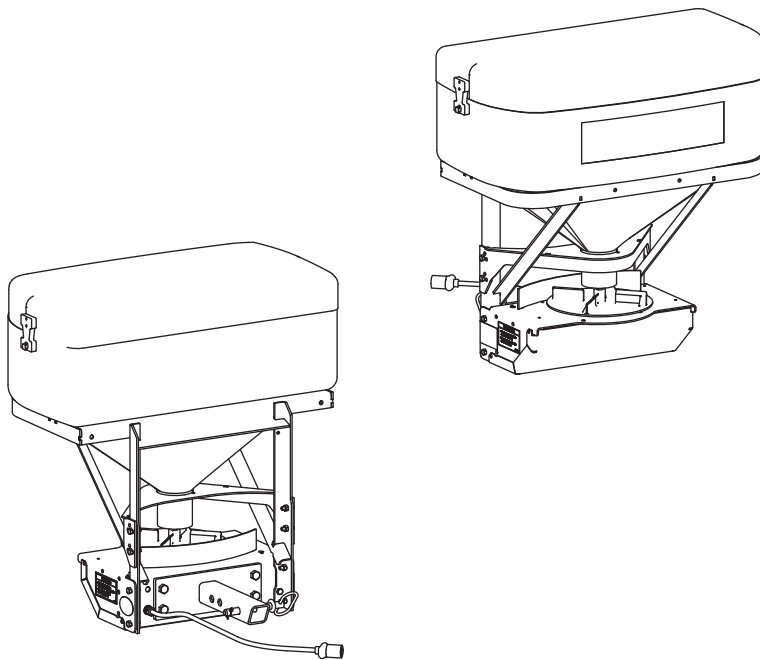


September 15, 2014
Lit. No. 43827, Rev. 01

SNOWEX[®]

LEADERS IN ICE CONTROL

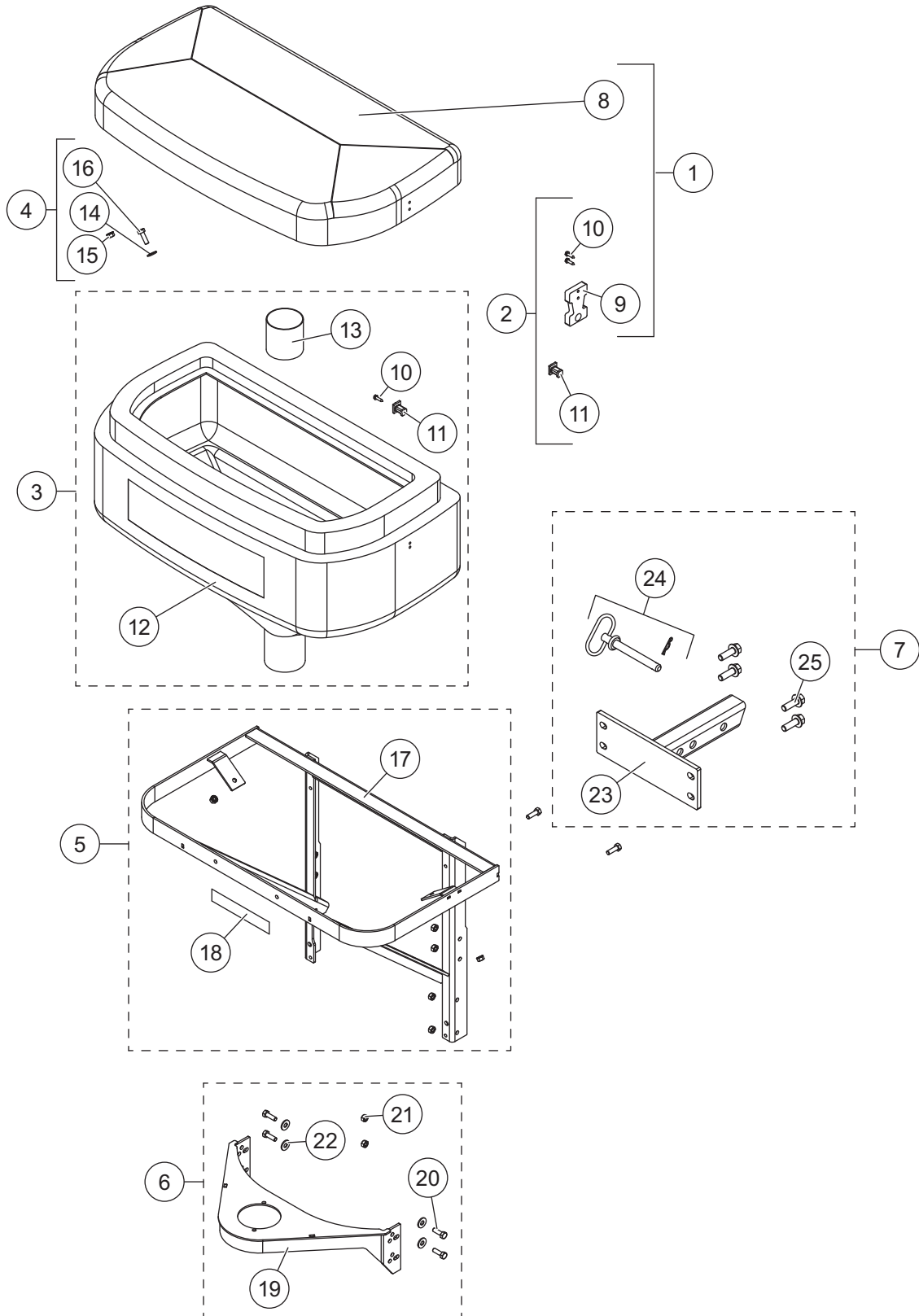
SP-325, SP-575X, SP-1075X **Single-Stage Tailgate Spreaders** **Parts List**



This Parts List is for SnowEx single-stage tailgate spreaders with serial numbers 140502300135 and higher (Model SP-325), 140718300683 and higher (Model SP-575X) and 140722300276 and higher (Model SP-1075X).

SP-325 TAILGATE SPREADER

HOPPER AND FRAME ASSEMBLY

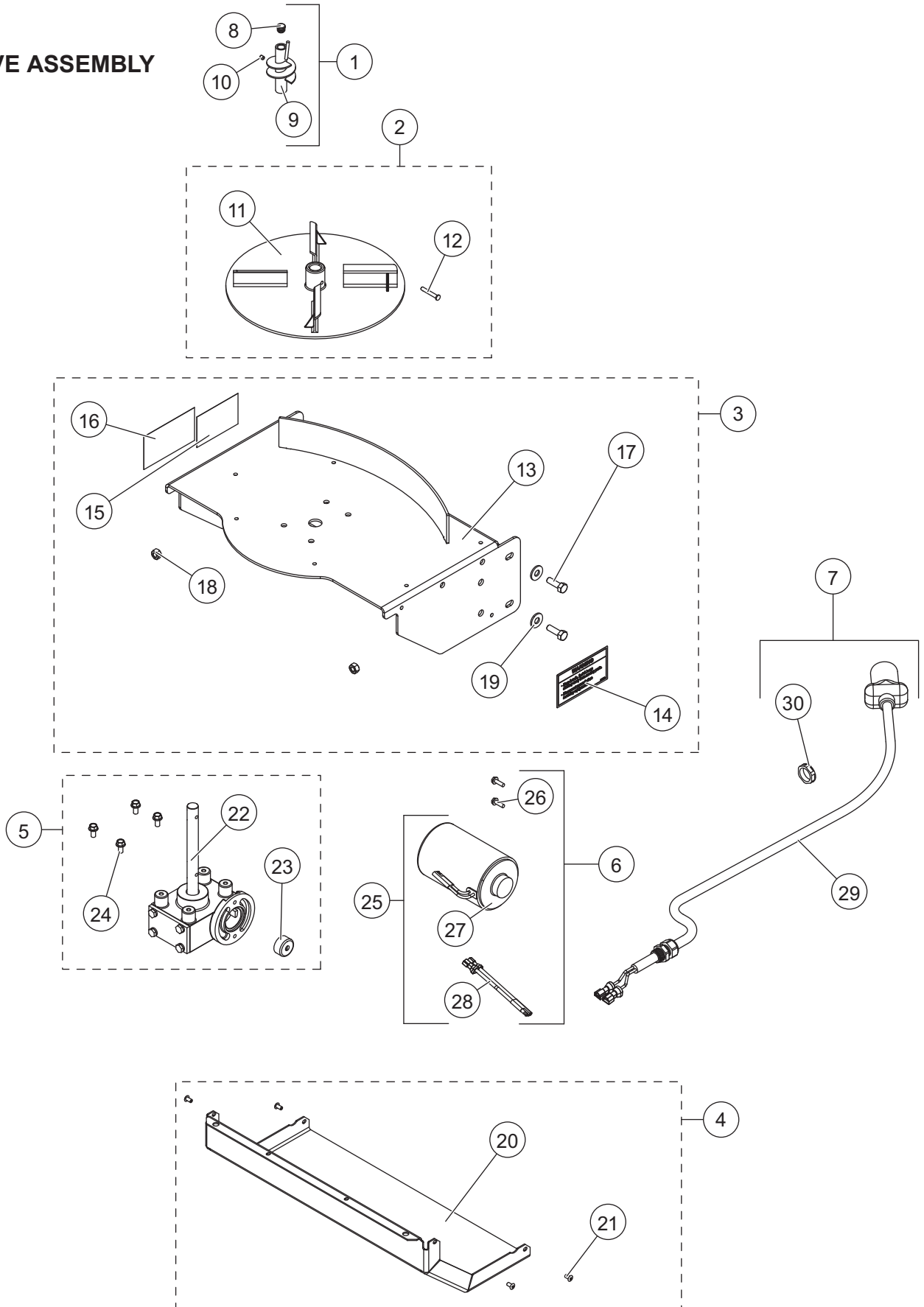


SP-325 TAILGATE SPREADER

Hopper and Frame Assembly							
Item	Part	Qty	Description	Item	Part	Qty	Description
1	75611	1	Lid Kit, SP-325	5	75616	1	Frame Kit, SP-325
2	75612	1	Hopper Strap Kit	6	75617	1	Hopper Throat Kit
3	75613	1	Hopper Kit, SP-325	7	75619	1	Receiver Kit
4	75614	1	Hopper Hardware Kit				
Item 1 75611 Lid Kit, SP-325							
8		1	Hopper Lid, SP-325	10		4	10 x 3/4 Slotted Cap Screw
9		2	Flexible Draw Latch				
Item 2 75612 Hopper Strap Kit							
9	D6105	2	Flexible Draw Latch	11	D6198	2	Latch Keeper
10		6	10 x 3/4 Slotted Cap Screw				
Item 3 75613 Hopper Kit, SP-325							
12		1	Hopper, SP-325	11		2	Latch Keeper
13		1	Throat Liner, Stainless Steel	10		2	10 x 3/4 Slotted Cap Screw
Item 4 75614 Hopper Hardware Kit							
14		2	3/8 Flat Washer	16		2	5/16-18 x 1-1/4 Hex Cap Screw
15		2	5/16-18 Hex Locknut GB				
Item 5 75616 Frame Kit, SP-325							
17		1	Main Frame, SP-325	18	75648	1	Label, Die Cut – Junior 325
Item 6 75617 Hopper Throat Kit							
19		1	Throat Support	21		4	5/16-18 Serrated Flange Nut
20		4	5/16-18 x 1 Hex Cap Screw	22		4	5/16 Flat Washer
Item 7 75619 Receiver Kit							
23		1	Hitch, 2" Receiver Utility	25	T40109	4	1/2-13 x 1 1/2 Hex Cap Screw G5
24	75620	1	5/8 x 5-1/2 Hitch Pin w/Hairpin Cotter				
ns = not shown				G = Grade			

SP-325 TAILGATE SPREADER

DRIVE ASSEMBLY

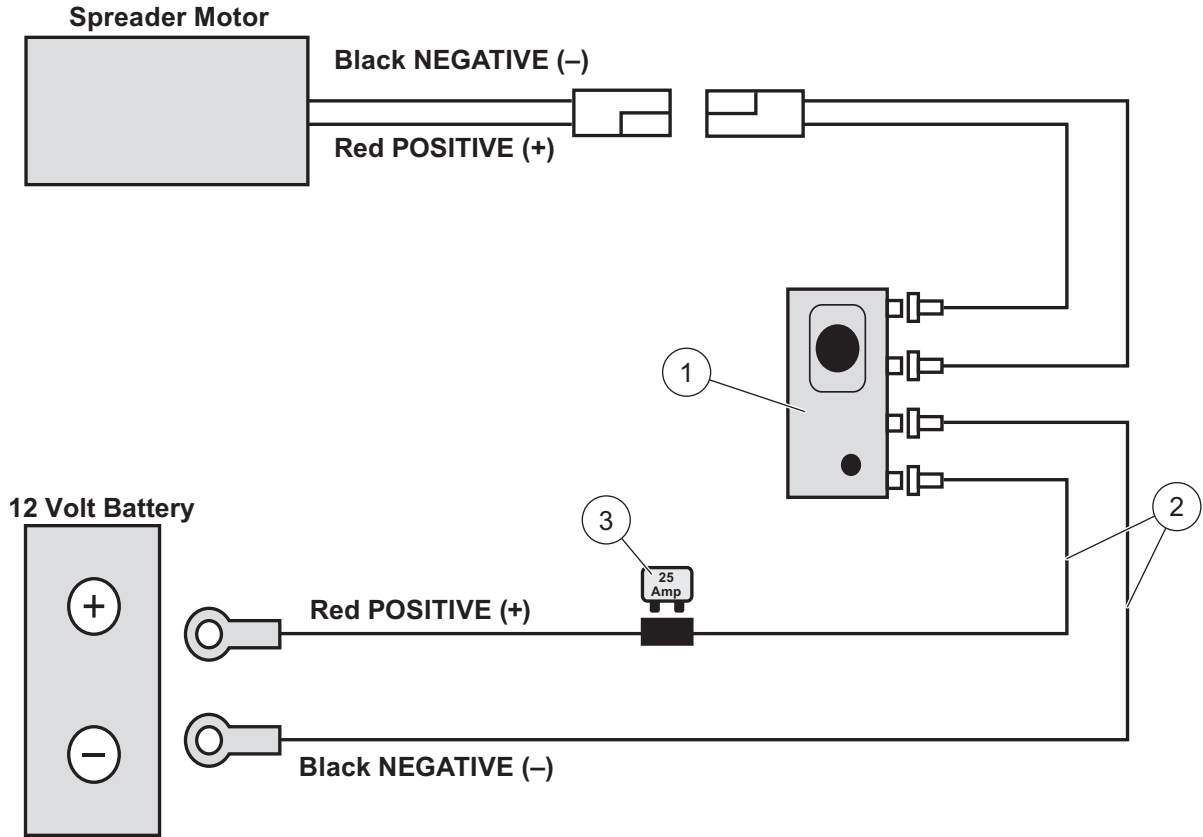


SP-325 TAILGATE SPREADER

75697 Drive Assembly							
Item	Part	Qty	Description	Item	Part	Qty	Description
1	75615	1	Auger Kit	5	75625	1	Transmission Kit
2	75618	1	Spinner Kit	6	75626	1	Motor Kit
3	75628	1	Transmission Enclosure Kit	7	75627	1	Power Cable Kit
4	75624	1	Transmission Enclosure Cover Kit				
Item 1 75615 Auger Kit							
8	D6191	1	Auger Cap	10	D6140	1	5/16-18 x 3/8 Set Screw
9	D6075	1	Auger				
Item 2 75618 Spinner Kit							
11	D6750	1	Spinner, Poly	12	D6746	1	3/16 x 1-1/4 Clevis Pin
Item 3 75628 Transmission Enclosure Kit							
13		1	Transmission Mount	17		4	5/16-18 x 1 Hex Cap Screw
14	75621	1	Label, Warning – Hands & Feet	18		4	5/16-18 Serrated Flange Nut
15	75622	1	Label, Warning – Maximum Weight	19		4	5/16 Flat Washer
16	75623	1	Label, Warning – Read Manual				
Item 4 75624 Transmission Enclosure Cover Kit							
20	75813	1	Transmission Enclosure Cover	21		6	Rivet 3/16 x .354
Item 5 75625 Transmission Kit							
22	D6715	1	Transmission 14.5:1	24		4	1/4-20 x 1/2 Serrated Flange SS
23	D6232	1	Motor Drive Coupler				
Item 6 75626 Motor Kit							
26		2	10-32 x 5/8 Hex Cap Screw Serrated	28	D6652	1	Motor Connector Adapter
27	D6214	1	3 x 3.8 12 V DC Motor				
Item 25 D6106 3 x 3.8 12V DC Motor w/2-Pin Connector							
27	D6214	1	3 x 3.8 12 V DC Motor	28	D6652	1	Motor Connector Adapter
Item 7 75627 Power Cable Kit							
29	D6162	1	26-1/2 Power Cable	30	D6781	1	1/2" NPT Nut Black Nylon

SP-325 TAILGATE SPREADER

ELECTRICAL COMPONENTS

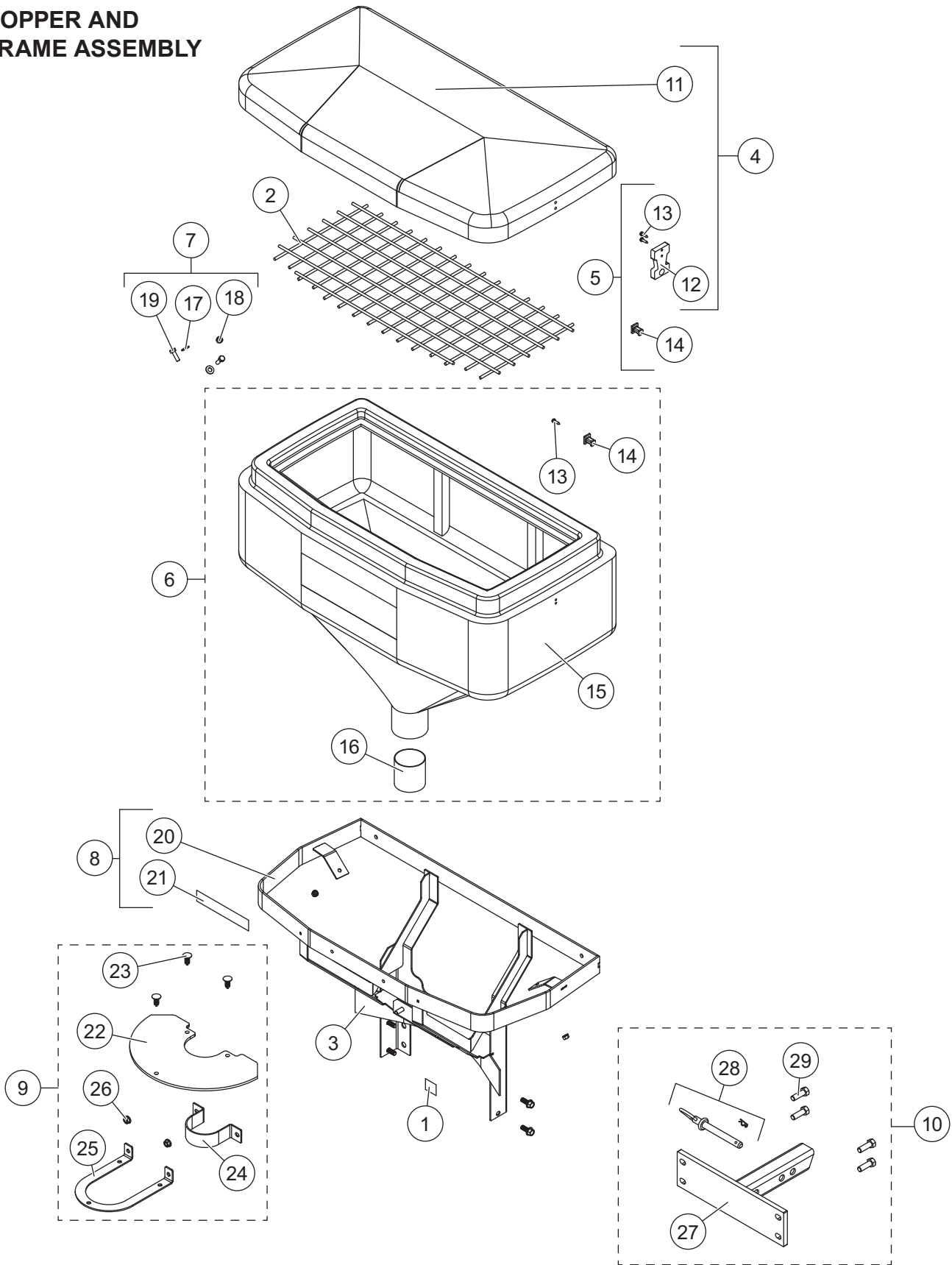


SP-325 TAILGATE SPREADER

Electrical Components, SP-325							
Item	Part	Qty	Description	Item	Part	Qty	Description
1	D6474	1	Mini Control	3	D6748	1	25 Amp Breaker
2	D6486	1	Harness, SP-325				

SP-575X TAILGATE SPREADER

HOPPER AND FRAME ASSEMBLY

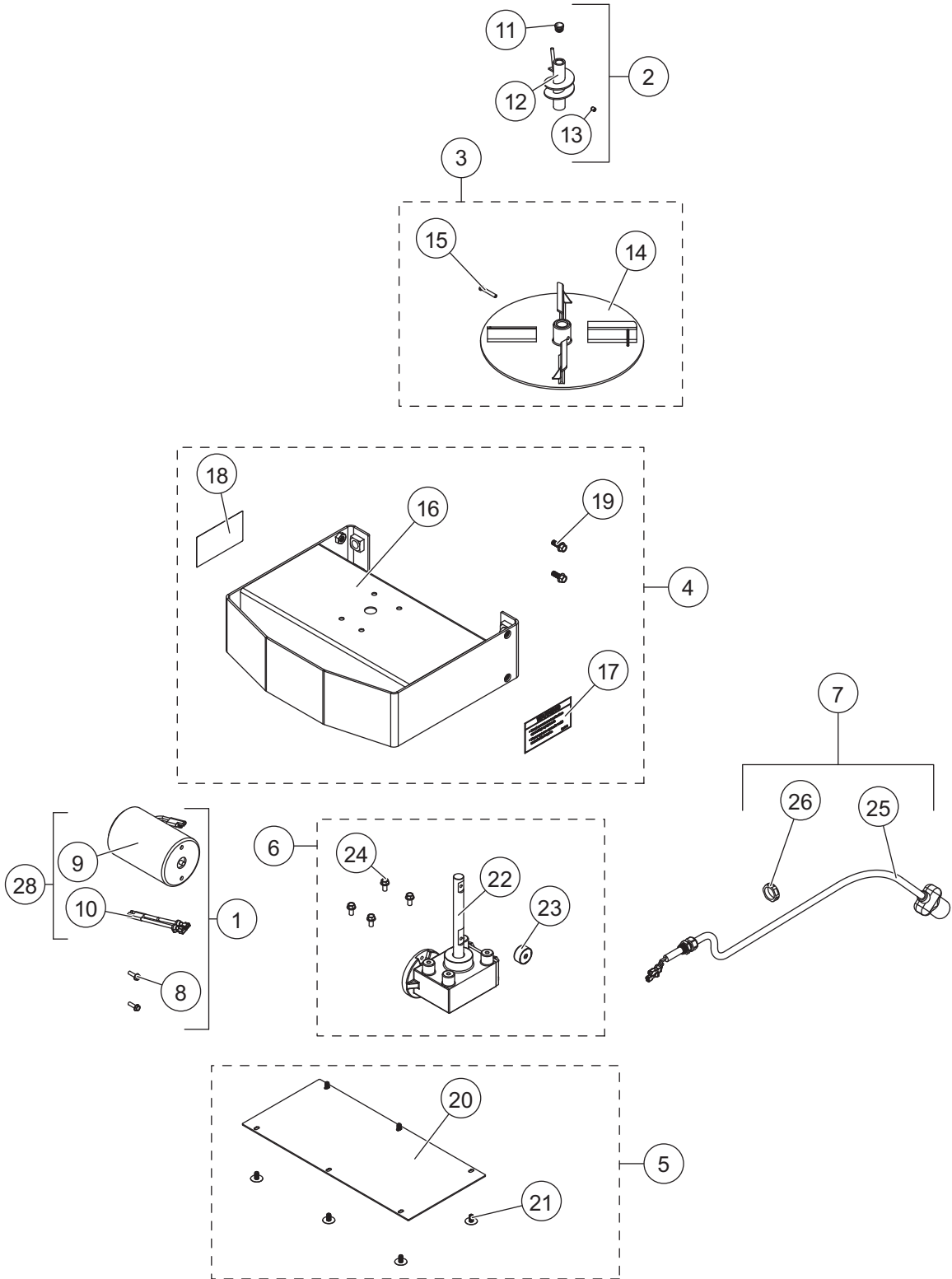


SP-575X TAILGATE SPREADER

Hopper and Frame Assembly							
Item	Part	Qty	Description	Item	Part	Qty	Description
1	F50674	1	Label, Die Cut "X"	6	75631	1	Hopper Kit, SP-575X
2	75636	1	Top Screen, SP-575X	7	75614	1	Hopper Hardware Kit
3	75646	1	Deflector	8	75632	1	Frame Kit, SP-575X
4	75630	1	Lid Kit, SP-575X	9	75639	1	CE Shroud Kit
5	75612	1	Hopper Strap Kit	10	75633	1	Receiver Kit, SP-575X
Item 4				75630 Lid Kit, SP-575X			
11		1	Hopper Lid, SP-575X	13		4	10 x 3/4 Slotted Cap Screw
12		2	Flexible Draw Latch				
Item 5				75612 Hopper Strap Kit			
12	D6105	2	Flexible Draw Latch	14	D6198	2	Latch Keeper
13		6	10 x 3/4 Slotted Cap Screw				
Item 6				75631 Hopper Kit, SP-575X			
15		1	Hopper, SP-575X	14		2	Latch Keeper
16		1	Throat Liner, Stainless Steel	13		2	10 x 3/4 Slotted Cap Screw
Item 7				75614 Hopper Hardware Kit			
17		2	3/8 Flat Washer	19		2	5/16-18 x 1-1/4 Hex Cap Screw
18		2	5/16-18 Hex Locknut GB				
Item 8				75632 Frame Kit, SP-575X			
20		1	Main Frame, SP-575X	21	D6186	1	Label, Die Cut – Mini Pro 575
Item 9				75639 CE Shroud Kit			
22		1	CE Shroud Tailgate	25		1	Mount Bracket, Shroud
23		3	11mm X 28mm X 22mm Retainer	26		2	3/8-16 Serrated Flange Nut
24		1	Throat Clamp				
Item 10				75633 Receiver Kit, SP-575X			
27		1	Mount, Receiver	29		4	1/2-13 x 1-1/2 Serrated Flange
28	75620	1	5/8 x 5-1/2 Hitch Pin w/Hairpin Cotter				
ns = not shown				G = Grade			

SP-575X TAILGATE SPREADER

DRIVE ASSEMBLY

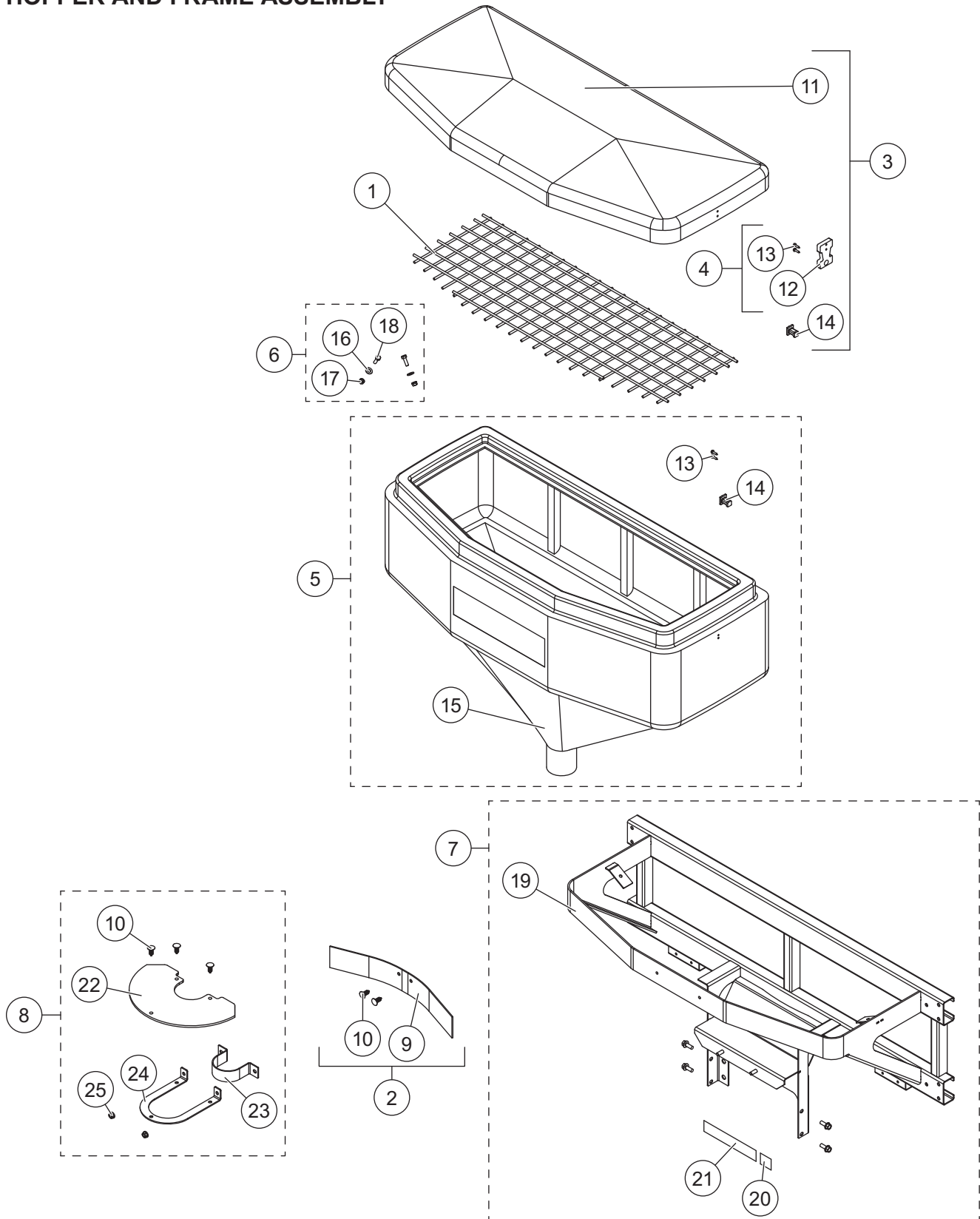


SP-575X TAILGATE SPREADER

75698 Drive Assembly							
Item	Part	Qty	Description	Item	Part	Qty	Description
1	75626	1	Motor Kit	5	75640	1	Transmission Kit
2	75615	1	Auger Kit	6	75618	1	Spinner Kit
3	75635	1	Transmission Enclosure Kit	7	75627	1	Power Cable Kit
4	75641	1	Transmission Enclosure Cover Kit				
Item 1				75626 Motor Kit			
8		2	10-32 x 5/8 Hex Cap Screw Serrated	10	D6652	1	Motor Connector Adapter
9	D6214	1	3 x 3.8 12 V DC Motor				
Item 28				D6106 3 x 3.8 12V DC Motor w/2-Pin Connector			
9	D6214	1	3 x 3.8 12 V DC Motor	10	D6652	1	Motor Connector Adapter
Item 2				75615 Auger Kit			
11	D6191	1	Auger Cap	13		1	5/16-18 x 3/8 Set Screw
12	D6075	1	Auger				
Item 3				75618 Spinner Kit			
14	D6750	1	Spinner, Poly	15	D6746	1	3/16 x 1-1/4 Clevis Pin
Item 4				75635 Transmission Enclosure Kit			
16		1	Enclosure, Spinner Drive	18	75623	1	Label, Warning – Read Manual
17	75621	1	Label, Warning – Hands & Feet	19		4	3/8-16 x 1 Hex Cap Screw Serrated
Item 5				75641 Transmission Enclosure Cover Kit			
20		1	Spinner Drive Enclosure Cover	21		6	1/4 x 3/4 x 1/2 Retainer Black Nylon
Item 6				75640 Transmission Kit			
22	D6107	1	Transmission 8:1	24		4	1/4-20 x 1/2 Serrated Flange SS
23	D6232	1	Motor Drive Coupler				
Item 7				75627 Power Cable Kit			
25	D6162	1	26-1/2 Power Cable	26		1	1/2" NPT Nut Black Nylon
ns = not shown				G = Grade			

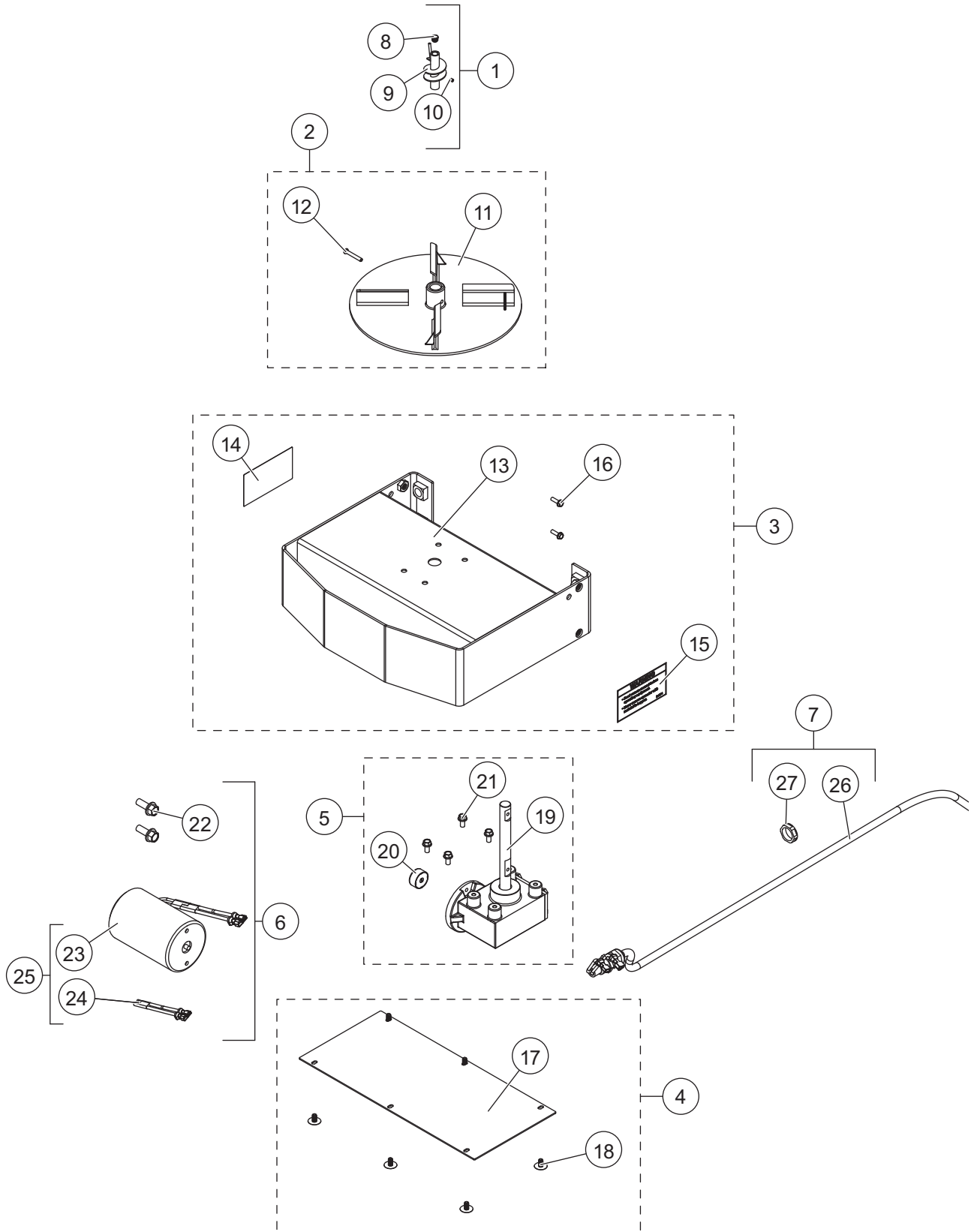
SP-1075X TAILGATE SPREADER

HOPPER AND FRAME ASSEMBLY



SP-1075X TAILGATE SPREADER

DRIVE ASSEMBLY

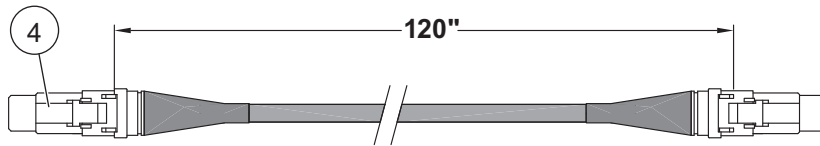
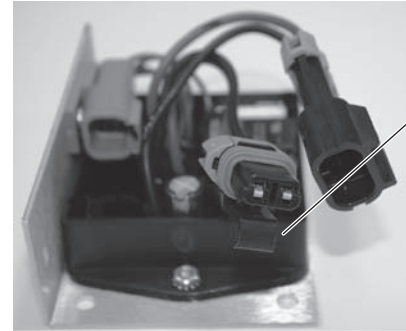
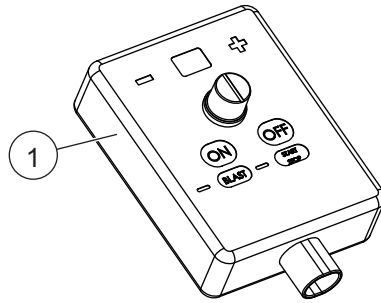


SP-1075X TAILGATE SPREADER

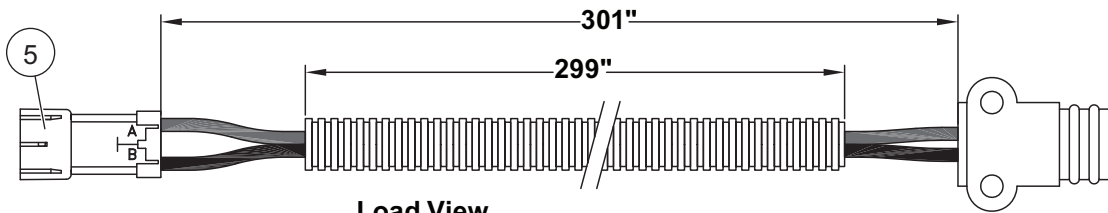
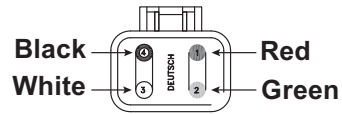
75699 Drive Assembly							
Item	Part	Qty	Description	Item	Part	Qty	Description
1	75615	1	Auger Kit	5	75640	1	Transmission Kit
2	75618	1	Spinner Kit	6	75626	1	Motor Kit
3	75635	1	Transmission Enclosure Kit	7	75647	1	Power Cable Kit, SP-1075X
4	75641	1	Transmission Enclosure Cover Kit				
Item 1				75615 Auger Kit			
8	D6191	1	Auger Cap	10		1	5/16-18 x 3/8 Set Screw
9	D6075	1	Auger				
Item 2				75618 Spinner Kit			
11	D6750	1	Spinner, Poly	12	D6746	1	3/16 x 1-1/4 Clevis Pin
Item 3				75635 Transmission Enclosure Kit			
13		1	Enclosure, Spinner Drive	15	75623	1	Label, Warning – Read Manual
14	75621	1	Label, Warning – Hands & Feet	16		4	3/8-16 x 1 Hex Cap Screw Serrated
Item 4				75641 Transmission Enclosure Cover Kit			
17		1	Spinner Drive Enclosure Cover	18		6	1/4 x 3/4 x 1/2 Retainer Black Nylon
Item 5				75640 Transmission Kit			
19	D6107	1	Transmission 8:1	21		4	1/4-20 x 1/2 Serrated Flange SS
20	D6232	1	Motor Drive Coupler				
Item 6				75626 Motor Kit			
22		2	10-32 x 5/8 Hex Cap Screw Serrated	24	D6652	1	Motor Connector Adapter
23	D6214	1	3 x 3.8 12 V DC Motor				
Item 25				D6106 3 x 3.8 12V DC Motor w/2-Pin Connector			
23	D6214	1	3 x 3.8 12 V DC Motor	24	D6652	1	Motor Connector Adapter
Item 7				75647 Power Cable Kit, SP-1075X			
26	D6115	1	44-3/4 Power Cable, SP-1075X	27	D6781	1	1/2 NPT Black Nylon Nut
ns = not shown				G = Grade			

SP-575X/1075X TAILGATE SPREADER

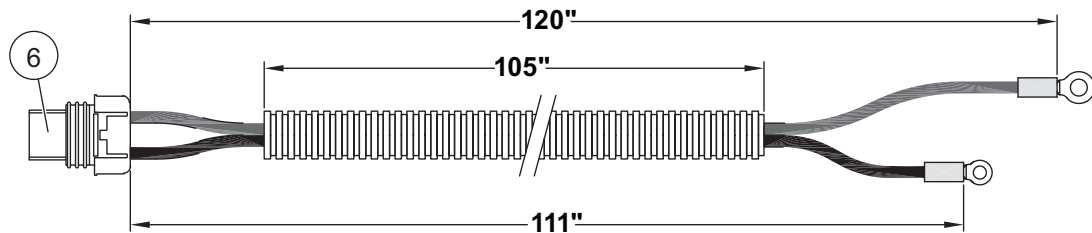
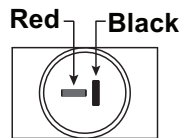
ELECTRICAL COMPONENTS



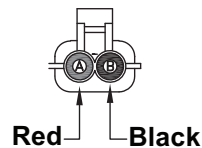
Load View



Load View



Load View



SP-575X/1075X TAILGATE SPREADER

Electrical Components							
Item	Part	Qty	Description	Item	Part	Qty	Description
1	F50607	1	Control Pendant	3	F50869	1	Harness Kit
2	F50576	1	Control Module				
Item 3				50869 Harness Kit			
4	F50578	1	Data Cable	6	F50580	1	Battery Harness
5	F50579	1	Vehicle Harness				



531 Ajax Drive
Madison Heights, MI 53224-9538
www.snowexproducts.com

 A DIVISION OF DOUGLAS DYNAMICS, LLC

Copyright © 2014 Douglas Dynamics, LLC. All rights reserved. This material may not be reproduced or copied, in whole or in part, in any printed, mechanical, electronic, film or other distribution and storage media, without the written consent of TrynEx International. Authorization to photocopy items for internal or personal use by TrynEx International outlets or spreader owner is granted.

TrynEx International reserves the right under its product improvement policy to change construction or design details and furnish equipment when so altered without reference to illustrations or specifications used. TrynEx International or the vehicle manufacturer may require or recommend optional equipment for spreaders. Do not exceed vehicle ratings with a spreader. TrynEx International offers a limited warranty for all spreaders and accessories. See separately printed page for this important information. The following are registered (®) or unregistered (™) trademarks of Douglas Dynamics, LLC: SnowEx®, TrynEx®.

Printed in U.S.A.