



8100, 8611

POWER PLOW™ Snowplow

Blade Assembly 77750, 77755

Big Box Assembly 77850-1, 77850-3

Parts List

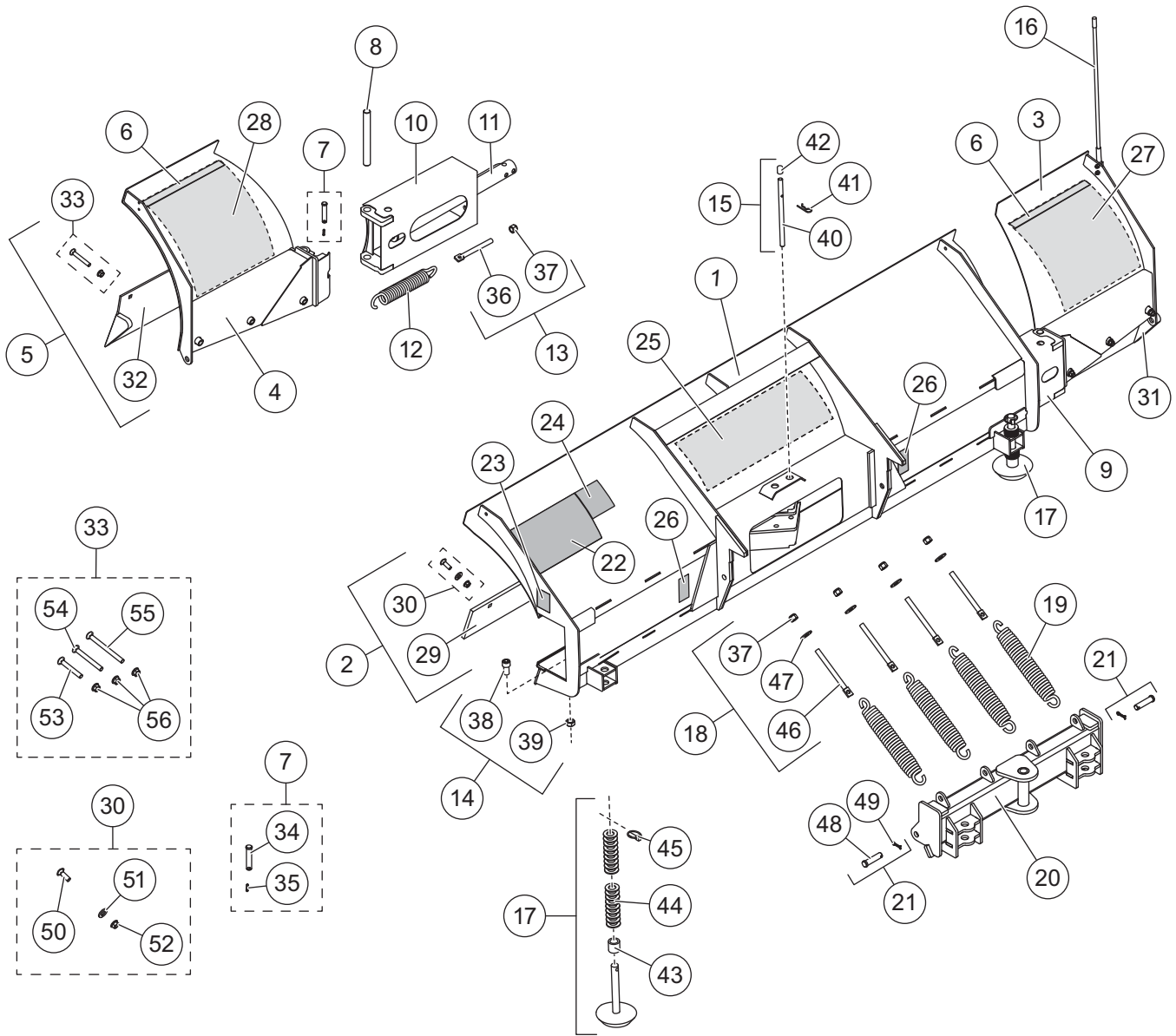


TABLE OF CONTENTS

8100/8611 POWER PLOW™ BLADE ASSEMBLIES	4
8100 Blade Components	4
8611 Blade Components.....	6
A-FRAME ASSEMBLY	8
HEADGEAR ASSEMBLY	10
HYDRAULIC AND ELECTRICAL COMPONENTS	12
Hydraulic Unit Components	12
Lift and Angle Rams Components.....	14
Hoses and Fittings.....	15
Electrical Components.....	16
VEHICLE-SIDE HARNESS DIAGRAM	17
HEADLAMP KITS	18–19

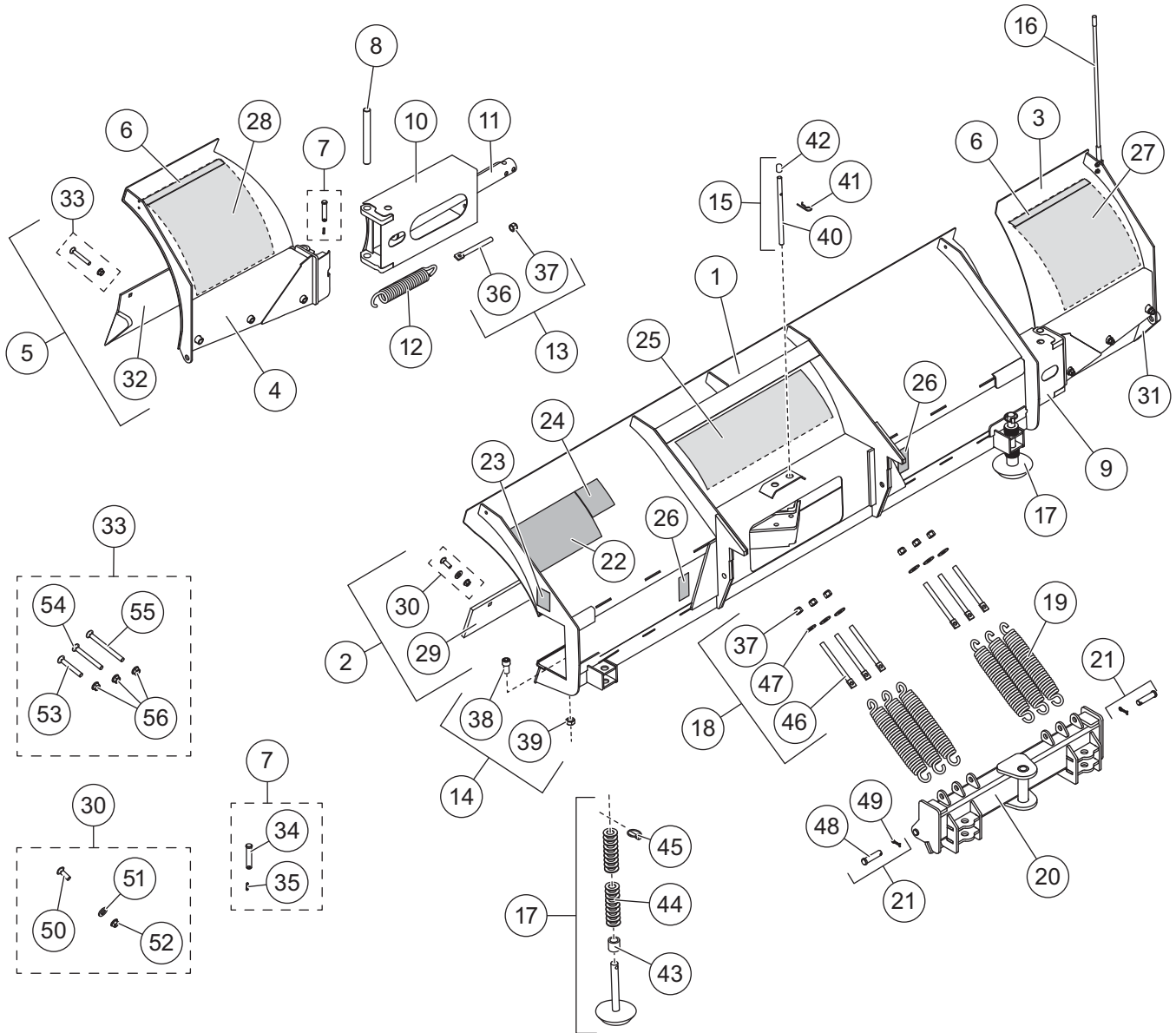
8100 POWER PLOW™ BLADE ASSEMBLY

8100 Blade Components



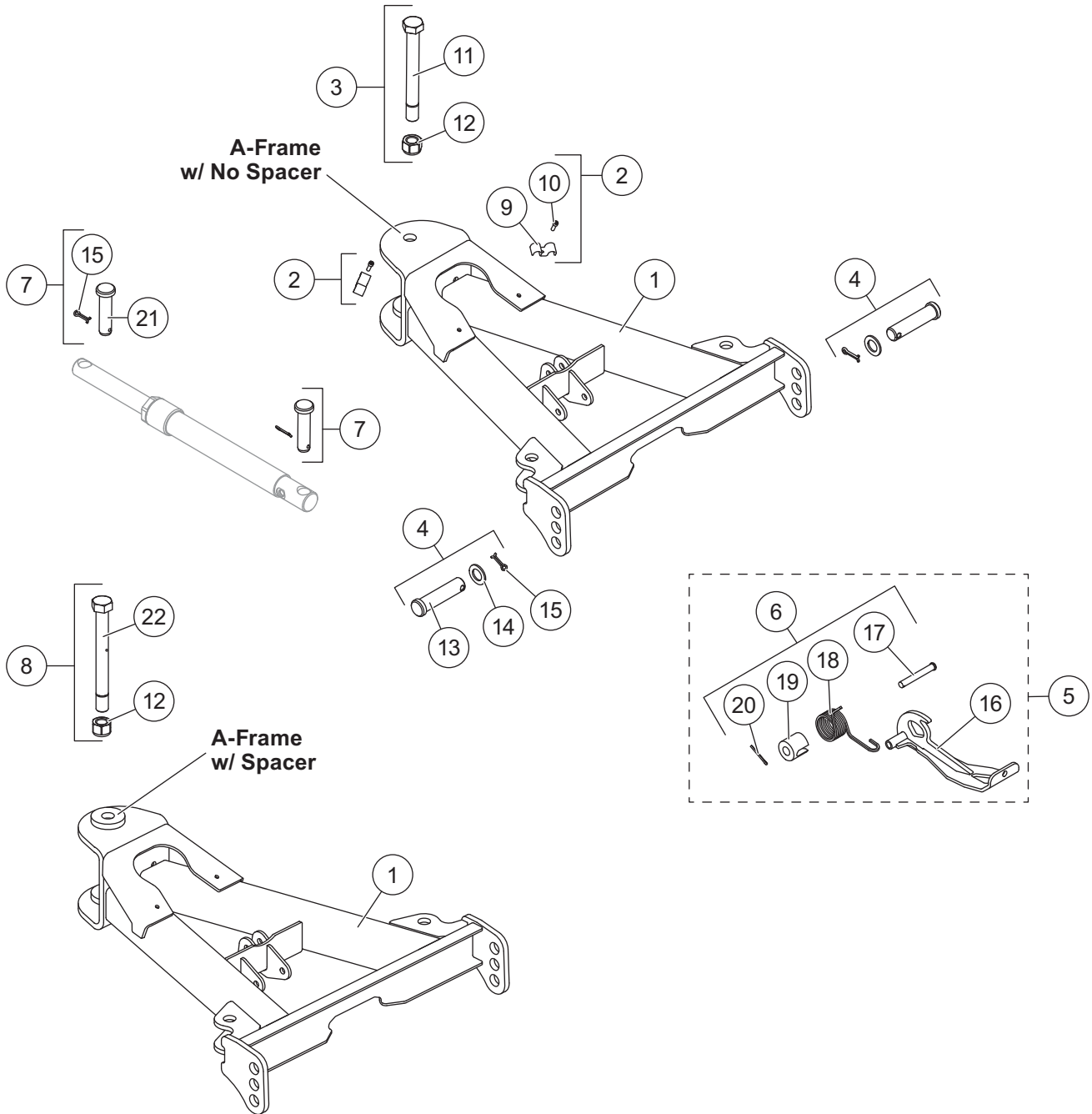
8611 POWER PLOW™ BLADE ASSEMBLY

8611 Blade Components



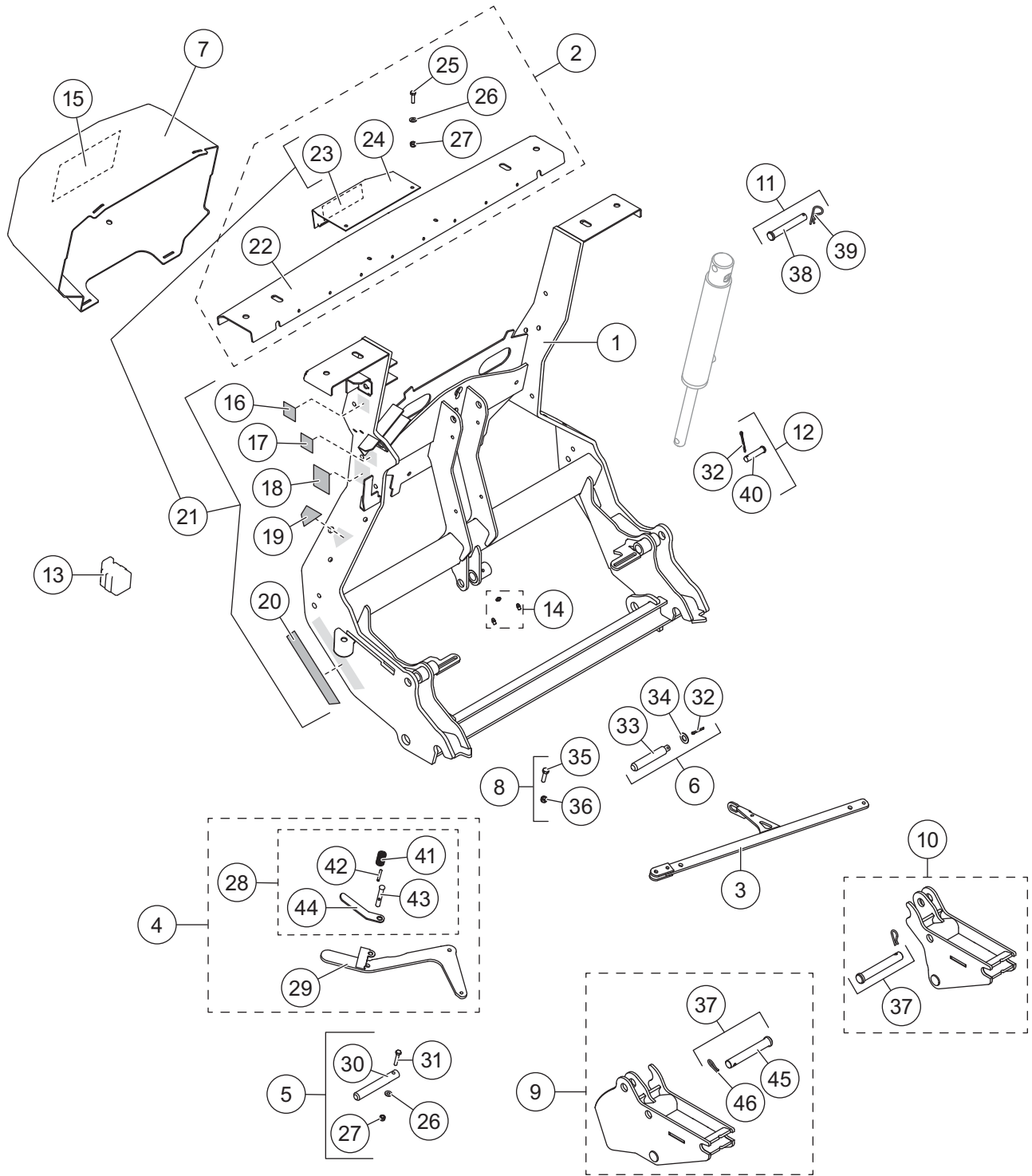
A-FRAME ASSEMBLY

A-Frame Components



HEADGEAR ASSEMBLY

Headgear Components



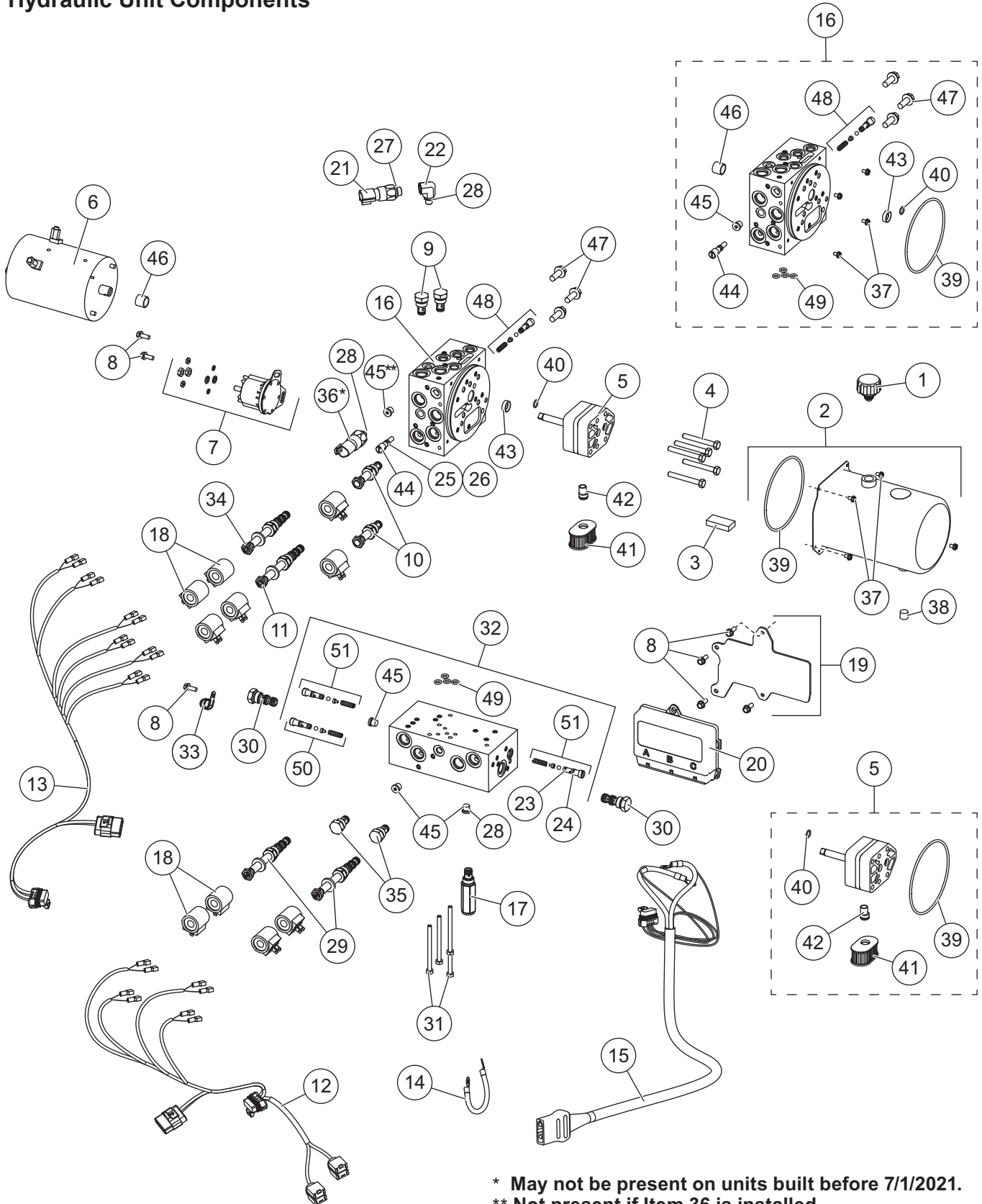
HEADGEAR ASSEMBLY

Headgear Components							
Item	Part	Qty	Description	Item	Part	Qty	Description
1	84622	1	Headgear (incl. item 14)	11	84632	1	Lift Ram Base Pin Kit
2	84624	1	Light Bar Channel	12	84627	1	Lift Ram Rod Pin Kit
3	84599	1	Link Arm	13	61246	1	Cable Boot
4	84595	1	Attach Handle Kit	14	84616	1	Grease Zerk (pkg of 3)
5	84603	2	Attach Pin Kit	15	43860	1	Label – Information, Hydraulic – PP
6	84601	1	Link Arm Jack Stand Pin Kit	16	52206	1	Label – Power Switch, Automatixx®
7	84651	1	Hydraulic Cover – PP (incl. item 15)	17	52207	1	Label – Operation Switch, Automatixx
8	84635	1	Link Arm/Attach Handle Fastener Kit	18	69689	1	Label – Logo, SECURITY GUARD™
9	84608	1	Receiver Kit – DS	19	77717	1	Label – Upper, Automatixx
ns	85121**	1	Receiver Kit, Tall – DS	20	77719	1	Label – Lower, Automatixx
10	84609	1	Receiver Kit – PS	21	84647	1	Headgear Label Kit
ns	85122**	1	Receiver Kit, Tall – PS				
Item 2				84624 Light Bar Channel			
22		1	Light Bar	25		2	1/4-20 x 1 Hex Cap Screw G5
23	77727	1	Label – Logo, SnowEx® Light Bar	26		2	1/4 Flat Washer
24		1	Light Bar Top Plate, Center	27		2	1/4-20 Hex Locknut GB
Item 4				84595 Attach Handle Kit			
28	84596	1	Attach Handle Release Cam Kit	29	84779	1	Handle
Item 5				84603 Attach Pin Kit			
26		1	1/4 Flat Washer	30		1	Hitch Pin
27		1	1/4-20 Hex Locknut GB	31		1	1/4-20 x 1-1/2 Hex Cap Screw SS
Item 6				84601 Link Arm Jack Stand Pin Kit			
32		1	5/32 x 1-1/2 Cotter Pin	34		1	1/2 Flat Washer Type B Narrow SS
33		1	Stand Actuator Pin				
Item 8				84635 Link Arm/Attach Handle Fastener Kit			
35		1	5/16-18 x 1-1/4 Hex Cap Screw G5	36		1	5/16-18 Hex Locknut GB
Item 9				84608 Receiver Kit – DS			
		1	Receiver – DS	37	84611	1	Receiver Pin Kit
Item 10				84609 Receiver Kit – PS			
		1	Receiver – PS	37	84611	1	Receiver Pin Kit
Item 11				84632 Lift Ram Base Pin Kit			
38		1	5/8 x 4-1/4 Clevis Pin	39		1	1/8 Hairpin Cotter
Item 12				84627 Lift Ram Rod Pin Kit			
32		1	5/32 x 1-1/2 Cotter Pin	40		1	1/2 x 2-1/8 Clevis Pin HT
Item 21				84647 Headgear Label Kit			
16	52206	1	Label – Power Switch, Automatixx	19	77717	1	Label – Upper, Automatixx
17	52207	1	Label – Operation Switch, Automatixx	20	77719	1	Label – Lower, Automatixx
18	69689	1	Label – Logo, SECURITY GUARD	23	77727	1	Label – Logo, SnowEx Light Bar
Item 28				84596 Attach Handle Release Cam Kit			
41		1	Stand Lock Pin Spring	43		1	Handle Lock Pin
42		1	3/16 x 1-3/8 Roll Pin SS	44		1	Handle Lock Pin Lever
Item 37				84611 Receiver Pin Kit			
45	95739	1	3/4 x 5 Clevis Pin HT	46	42142	1	R-Pin Cotter
ns = not shown		SS = Stainless Steel		HT = Heat Treated		G = Grade	

** Refer to the POWER PLOW™ snowplow Installation Instructions to confirm when tall receivers are required.

HYDRAULIC AND ELECTRICAL COMPONENTS

Hydraulic Unit Components



* May not be present on units built before 7/1/2021.
 ** Not present if Item 36 is installed.

HYDRAULIC AND ELECTRICAL COMPONENTS

52647 Hydraulic Unit							
Item	Part	Qty	Description	Item	Part	Qty	Description
1	48278	1	Breather	20	52292-1	1	Module – Plow Control
2	49486	1	Reservoir Kit	21	52296	1	Pressure Switch (incl. item 27)
3	73897	1	Magnet	22	52295	1	Elbow, 90° –4 M ORB/–6 F ORB (incl. item 28)
4	90080	5	5/16-18 x 2-1/2 Hex Cap Screw G5	23	55371	4	O-Ring -008
ns	52252	1	Seal Repair Tool Kit w/Seal	24	25731	4	O-Ring -010
5	49487	1	Hydraulic Pump Kit	25	48239	1	O-Ring -106
ns	52251	1	Bearing Repair Tool Kit w/Bearing	26	48240	1	Back-Up Ring -106
6	52281	1	Motor	27	56569	1	O-Ring -906
7	52290	1	Motor Relay Kit, FLEET FLEX System	28	44343	6	O-Ring -904
8	44355	7	1/4-20 x 5/8 Hex Washer-Head Thread-Rolling Screw	29	52286	2	Valve 4-Way 3-Pos. w/Nut & Spacer
9	84934	2	Check Valve	30	49488	2	Valve 3-Way PO Check
10	84936	2	Valve, 2-Way NC w/Rev Flow	31	90696	4	1/4-20 x 3-1/2 Hex Cap Screw G5
11	52285	1	Valve, 4-Way, 3-Position, Closed Ctr	32	52261	1	Secondary Manifold Assy w/o Valves
12	70448	1	Plow Control Harness, 4-Coil	33	65340	1	Clamp Loop #10
13	52079	1	Plow Control Harness, 6-Coil	34	84937	1	Valve, 4-Way, 3-Position
14	29071	1	Cable Assembly 8", Red	35	48287	2	Check Valve
15	52291	1	Plow Battery Cable	ns		3	Fuse, 5A Mini Automotive-Style (for items 22 and 23)
16	52259	1	Manifold Assembly w/o Valves PP	36	83853	1	Pressure Switch (Scrape Maxx™ down-force feature)
17	42889	1	Relief Valve 4000 psi				
18	52294	10	Coil				
19	52293-1	1	Module Plate				
Item 2				49486 Reservoir Kit			
37	66607	4	#10-24 x 5/16 Machine Screw	39	66519	1	O-Ring 2-250
38	92095	1	Plug, Hex Socket 1/4 NPTF				
Item 5				49487 Hydraulic Pump Kit			
39	66519	1	O-Ring 2-250	42	10887	1	Fitting, Hydraulic Pump Inlet
40	56274	1	O-Ring -013	ns		1	Alignment Ring
41	48281	1	Filter	ns		1	Pump Shaft Tool
Item 16				52259 Manifold Assembly w/o Valves PP			
37	66607	4	#10-24 x 5/16 Machine Screw	46†	56364	1	Bearing Sleeve
39	66519	1	O-Ring 2-250	47	D6452	3	3/8-16 x 1 Serrated Flange Hex Cap Screw
40	56274	1	O-Ring -013	48	52284	1	Relief Valve (1 set)
43†	66515	1	Pump Shaft Seal	49	43818	4	O-Ring -109
44	48517	1	Quill (incl. items 25 & 26)				
45	44344	1	Plug, Hex Socket –4 M ORB				
Item 32				52261 Secondary Manifold Assembly w/o Valves PP			
45	44344	3	Plug, Hex Socket –4 M ORB	50	52282	1	Relief Valve (1 set)
49	43818	4	O-Ring -109	51	52283	1	Relief Valve (2 sets)
O-Ring Service Kits							
–	52298-2	–	O-Ring Kit	–	48310	–	Seal Kit, 2-Way Valves
–	48309	–	Seal Kit, 3-Way & 4-Way Valves				
ns = not shown		F = Female		M = Male		G = Grade	

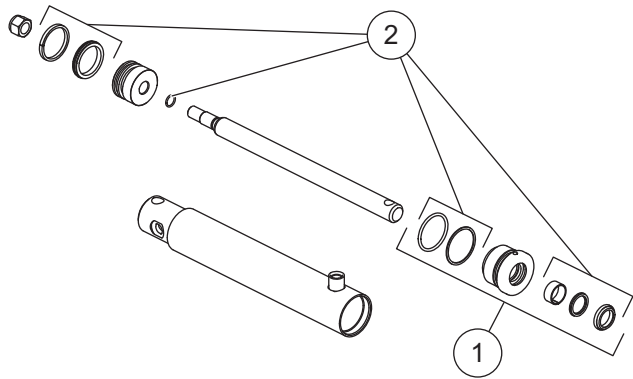
† Use 52252 tool to install.

‡ Use 52251 tool to install.

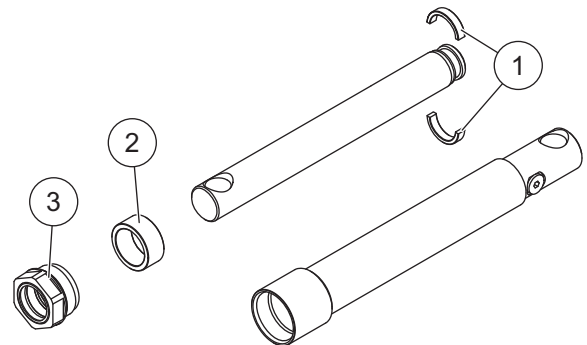
Go to www.snowexproducts.com for hydraulic unit service information and specifications.

HYDRAULIC AND ELECTRICAL COMPONENTS

Lift and Angle Ram Components



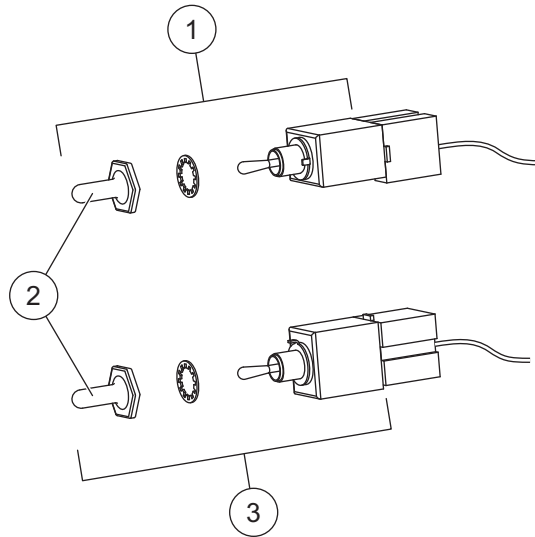
84420 Lift Ram Assembly 2 x 9-3/4 DA			
Item	Part	Qty	Description
1	49499	1	Gland Nut Assembly 1"
2	48520	1	Seal Kit 2" DA Ram



84421 Angle Ram Assembly 1-1/2 x 12			
Item	Part	Qty	Description
1	57879	1	Split Bearing Kit
2	56537	1	Spacer
3	48985	1	Gland Nut Assembly

HYDRAULIC AND ELECTRICAL COMPONENTS

Electrical Components

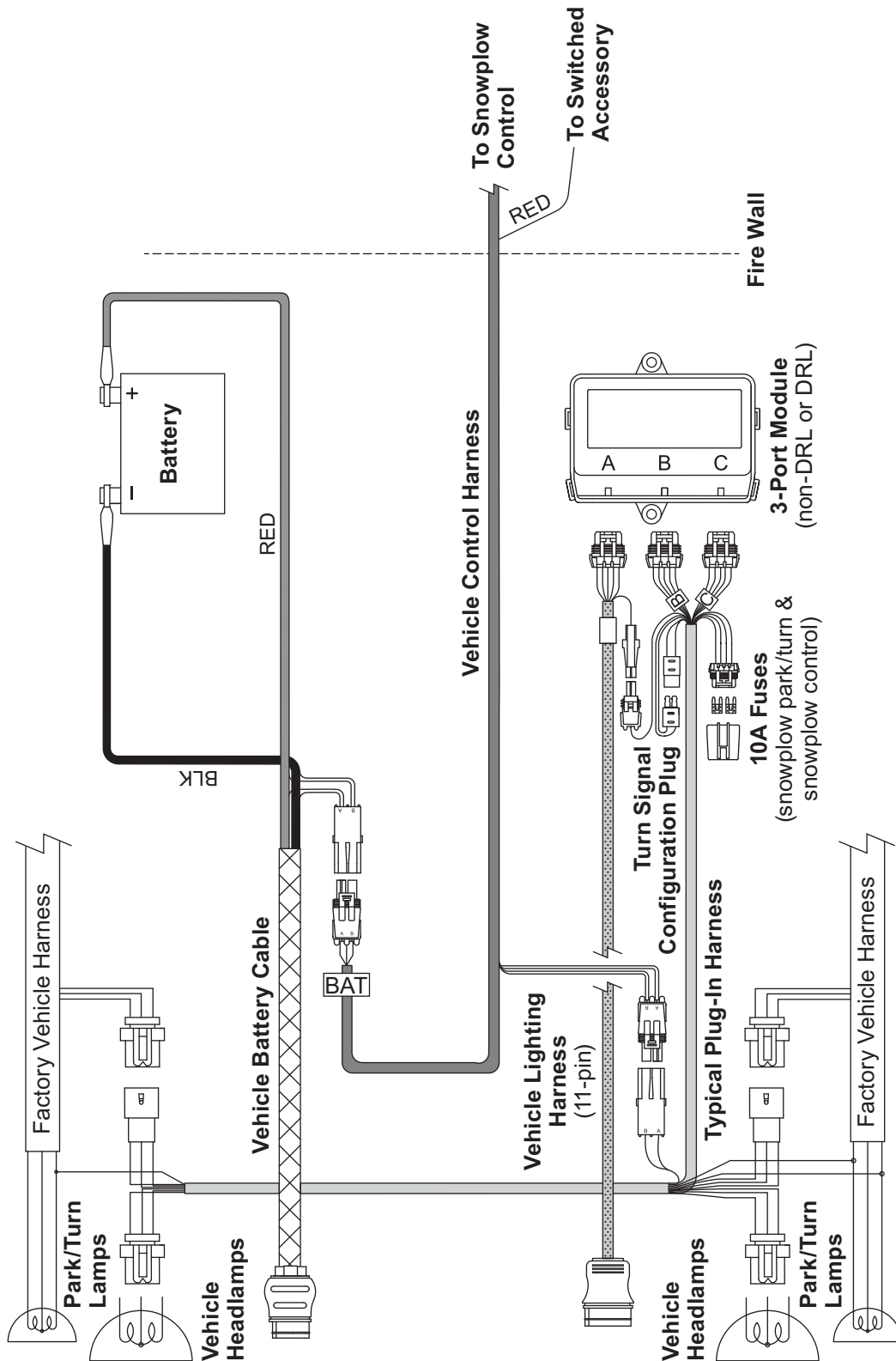


Plow-Side Electrical Components							
Item	Part	Qty	Description	Item	Part	Qty	Description
1	40575	1	Toggle Switch (MOM-ON, OFF, ON)	3	40576	1	Toggle Switch (MOM-ON, OFF, MOM-ON)
2	48259	2	Switch Boot				
Vehicle-Side Electrical Components							
§	72527	1	Vehicle Battery Cable	ns	48325	2	Plug Cover
§	28587	1	Vehicle Control Harness				
ns = not shown							

§ For diagram see Vehicle-Side Harness Diagram.

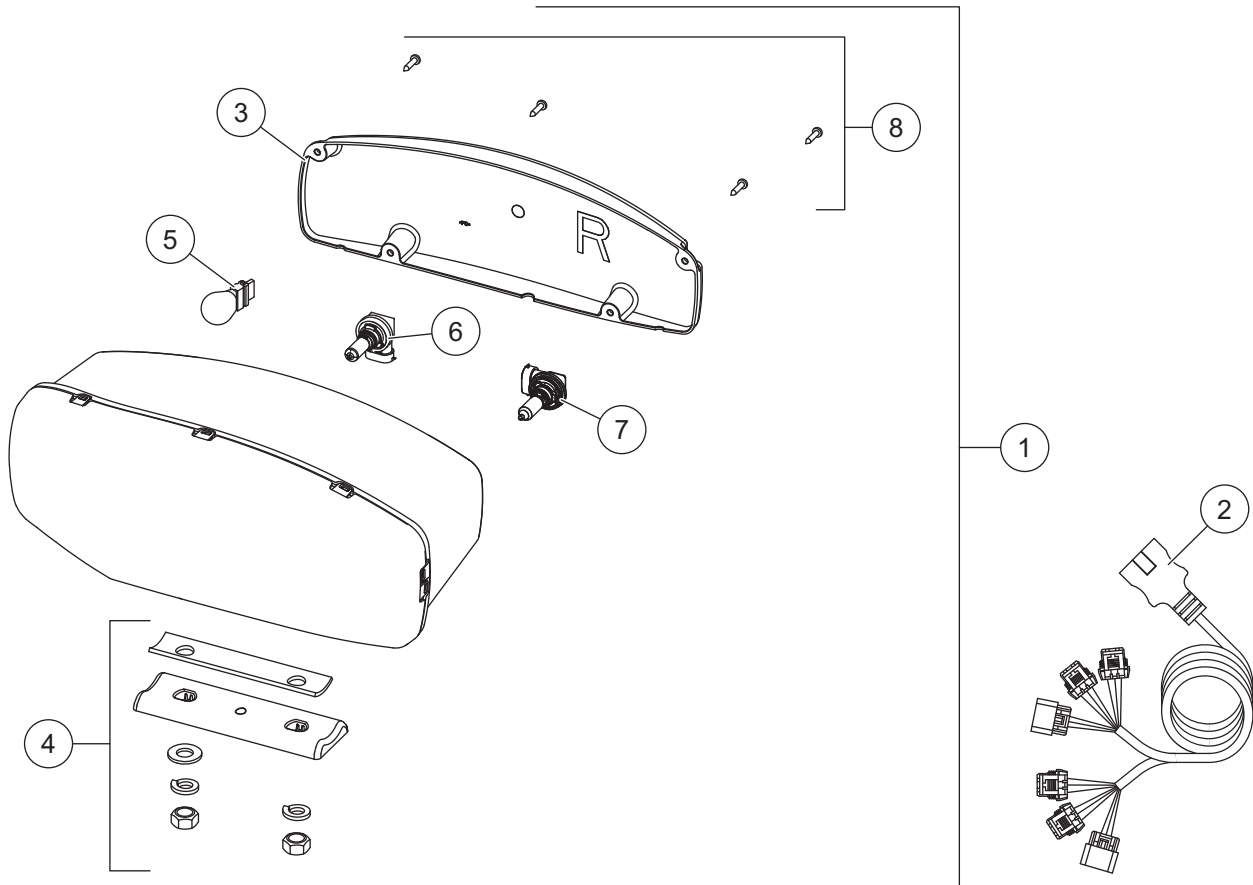
VEHICLE-SIDE HARNESS DIAGRAM

Vehicle-Side Harness Diagram



HEADLAMPS

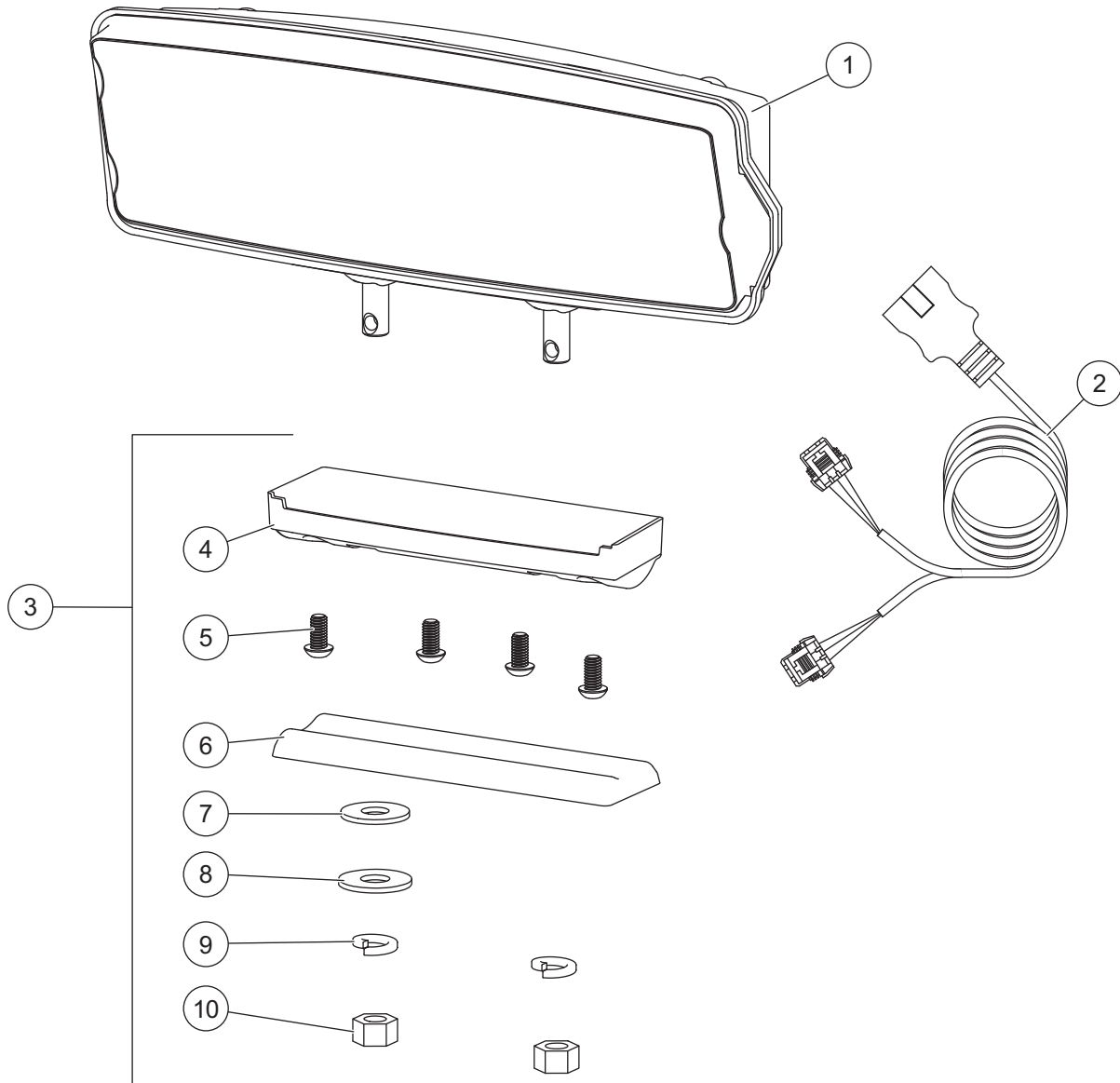
Headlamp Components – Halogen



38800 Headlamp Kit H9/H11 (pair)							
Item	Part	Qty	Description	Item	Part	Qty	Description
1	38802	1	Headlamp Service Kit H9/H11 – PS	2	38807	1	Harness Service Kit H9/H11
ns	38801	1	Headlamp Service Kit H9/H11 – DS				
Item 1	38801/38802 Headlamp Service Kit H9/H11 – PS/DS						
3	38803	1	Rear Cover Kit H9/H11 – PS	6	38811	1	Headlamp Bulb Service Kit H11
ns	38812	1	Rear Cover Kit H9/H11 – DS	7	38809	1	Headlamp Bulb Service Kit H9
4	38804	1	Mounting Hardware Kit H9/H11	8	38808	1	Cover Screws Service Kit H9/H11 (pkg of 4)
5		1	Park/Turn Bulb (trade no. 4157NAK)				
ns = not shown							

HEADLAMPS

Headlamp Kit – LED



Headlamp Kit LED							
Item	Part	Qty	Description	Item	Part	Qty	Description
1	39901	1	Headlamp Service Kit LED – DS	3	39903	1	Mounting Hardware Kit LED
ns	39902	1	Headlamp Service Kit LED – PS	ns	72512	1	LED Harness Connector Cover (pkg of 2)
2	72548	1	Harness Service Kit LED				
Item 3				39903 Mounting Hardware Kit LED			
4		1	Plastic Casing	8		1	1/2 Flat Washer
5		4	1/4 Button Cap Screw	9		2	1/2 Lock Washer
6		1	Headlamp Swivel	10		2	1/2 Hex Nut
7		1	1/2 Rubber Washer	ns		1	Metal Insert
ns = not shown							



TrynEx International, LLC
531 Ajax Drive
Madison Heights, MI 48071-2429
www.snowexproducts.com

 A DIVISION OF DOUGLAS DYNAMICS, LLC

Copyright © 2021 Douglas Dynamics, LLC. All rights reserved. This material may not be reproduced or copied, in whole or in part, in any printed, mechanical, electronic, film, or other distribution and storage media, w/out the written consent of TrynEx International, LLC. Authorization to photocopy items for internal or personal use by TrynEx International outlets or snowplow owner is granted.

TrynEx International reserves the right under its product improvement policy to change construction or design details and furnish equipment when so altered w/out reference to illustrations or specifications used. TrynEx International or the vehicle manufacturer may require or recommend optional equipment for snow removal. Do not exceed vehicle ratings w/ a snowplow. TrynEx International offers a limited warranty for all snowplows and accessories. See separately printed page for this important information. The following are registered (®) or unregistered (™) trademarks of Douglas Dynamics, LLC: Automatix®, POWER PLOW™, Scrape Maxx™, SECURITY GUARD™, SnowEx®.

Printed in U.S.A.