



6800, 7200

Light Truck Snowplow

Blade Assembly 77700, 77705

Big Box Assembly 77800-1, 77800-3

Parts List

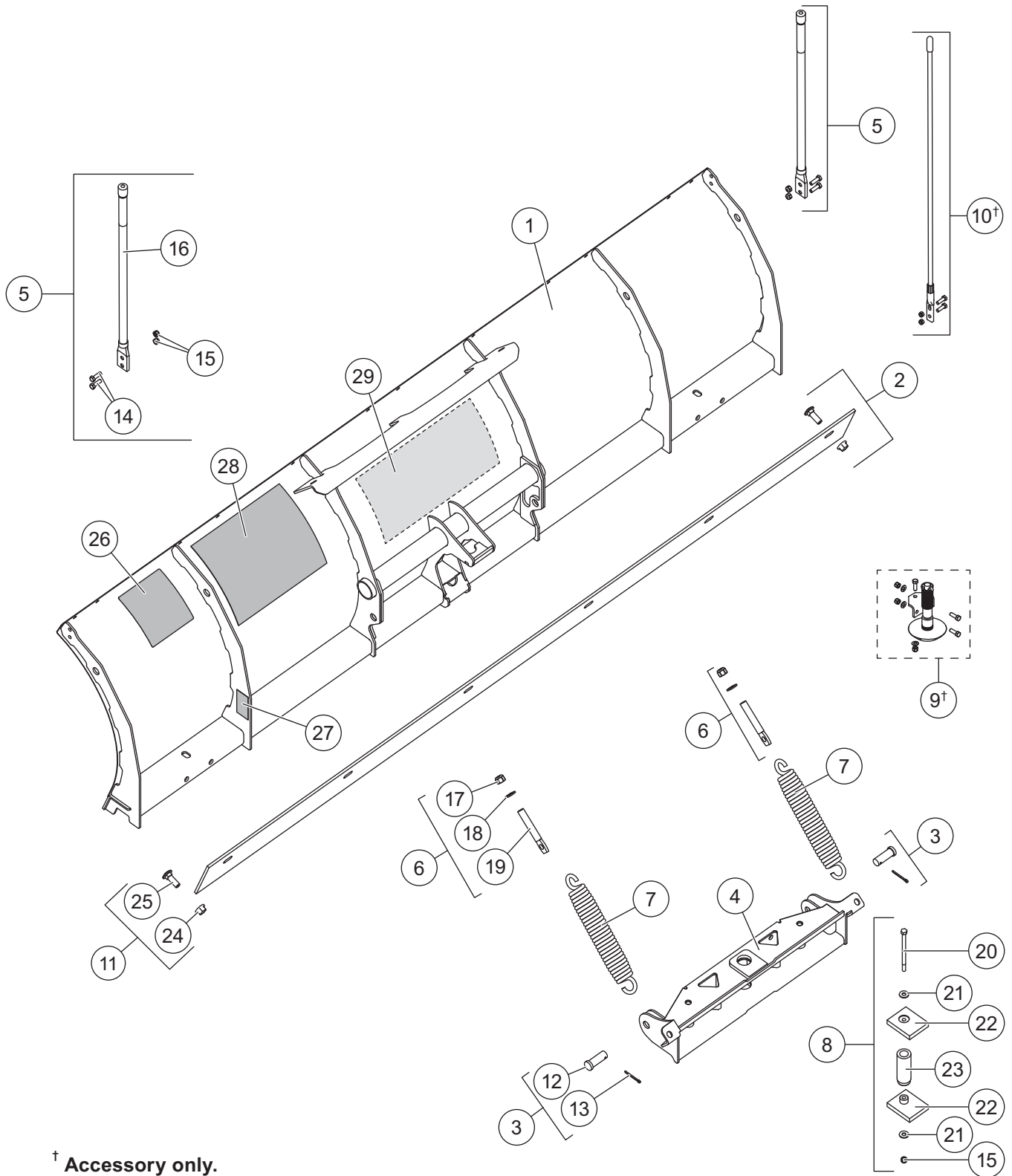


TABLE OF CONTENTS

LIGHT TRUCK BLADE ASSEMBLY	4
A-FRAME ASSEMBLY	6
HEADGEAR ASSEMBLY	8
HYDRAULIC AND ELECTRICAL COMPONENTS	10
Hydraulic Unit.....	10
Lift and Angle Rams	12
Hoses and Fittings.....	13
Electrical Components.....	14
VEHICLE-SIDE HARNESS DIAGRAM	15
HEADLAMP KITS	16–17

LIGHT TRUCK BLADE ASSEMBLY

Blade Components



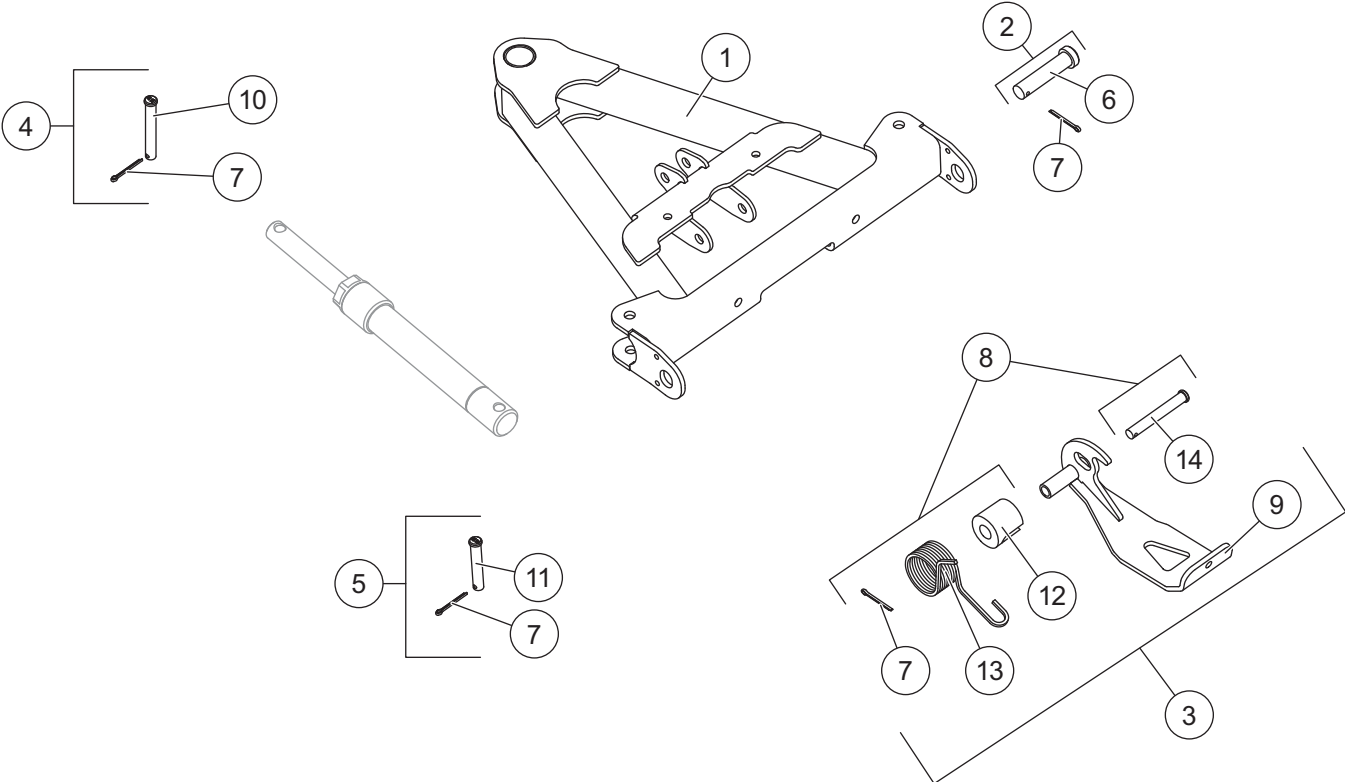
LIGHT TRUCK BLADE ASSEMBLY

77700/77705 Blade Components							
Item	Part	Qty	Description	Item	Part	Qty	Description
1	84554	1	6800LT Blade with Labels	6	84702	2	Eyebolt Kit
	84556	1	7200LT Blade with Labels	7	B61167	2	Trip Spring
2	B61458	1	1/4 Steel Cutting Edge Kit – 6800LT	8	84629	1	Center Pivot Bolt Kit
	B61531	1	1/4 Steel Cutting Edge Kit – 7200LT	9†	84506-1	1	Shoe Assembly Kit – HD, RD, LT
3	84631	2	3/4 x 2 Clevis Pin Kit with Cotter	10†	84477	1	36" Poly Blade Guide Kit
4	84573	1	Quadrant LT	ns	84640	1	Blade Label Kit – LT
5	84525	1	24" Blade Guide Kit	ns†	84524	1	Rubber Deflector Kit – LT
Item 2 B61458/B61531 1/4 Steel Cutting Edge Kit							
	1	1/4 Steel Cutting Edge		11	B61255	1	Cutting Edge Bolt Bag
Item 3 84631 3/4 x 2 Clevis Pin Kit with Cotter							
12	2	3/4 x 2 Clevis Pin		13		2	5/32 x 1-1/2 Cotter Pin
Item 5 84525 24" Blade Guide Kit							
14	4	5/16-18 x 1 Hex Cap Screw G5		16		2	24" Poly Blade Guide with Label
15	4	5/16-18 Hex Locknut GB					
Item 6 84702 Eyebolt Kit							
17	1	5/8-11 Hex Locknut GB		19		1	5/8-11 x 4 Eyebolt
18	1	5/8 Hardened Flat Washer					
Item 8 84629 Center Pivot Bolt Kit							
15	1	5/16-18 Hex Locknut GB		22	27615	2	Bumper, Personal Plow
20	1	5/16-18 x 5 Hex Cap Screw G5		23		1	Pivot Tube
21	2	5/16 Flat Washer Type A					
Item 11 B61255 Cutting Edge Bolt Bag							
24	8	1/2-13 Hex Locknut GB		25		8	1/2-13 x 3-1/4 Carriage Bolt G8
84640 Blade Label Kit – LT							
26	59900	1	Label – Warning/Caution, Snowplows	28	52204	1	Label – Attach/Detach, Automatixx®
27	29256	1	Label – Warning, Foot Crush	29	77701	1	Label – Logo, LT Blade Center
ns = not shown				G = Grade			

† Accessory only.

A-FRAME ASSEMBLY

A-Frame Components

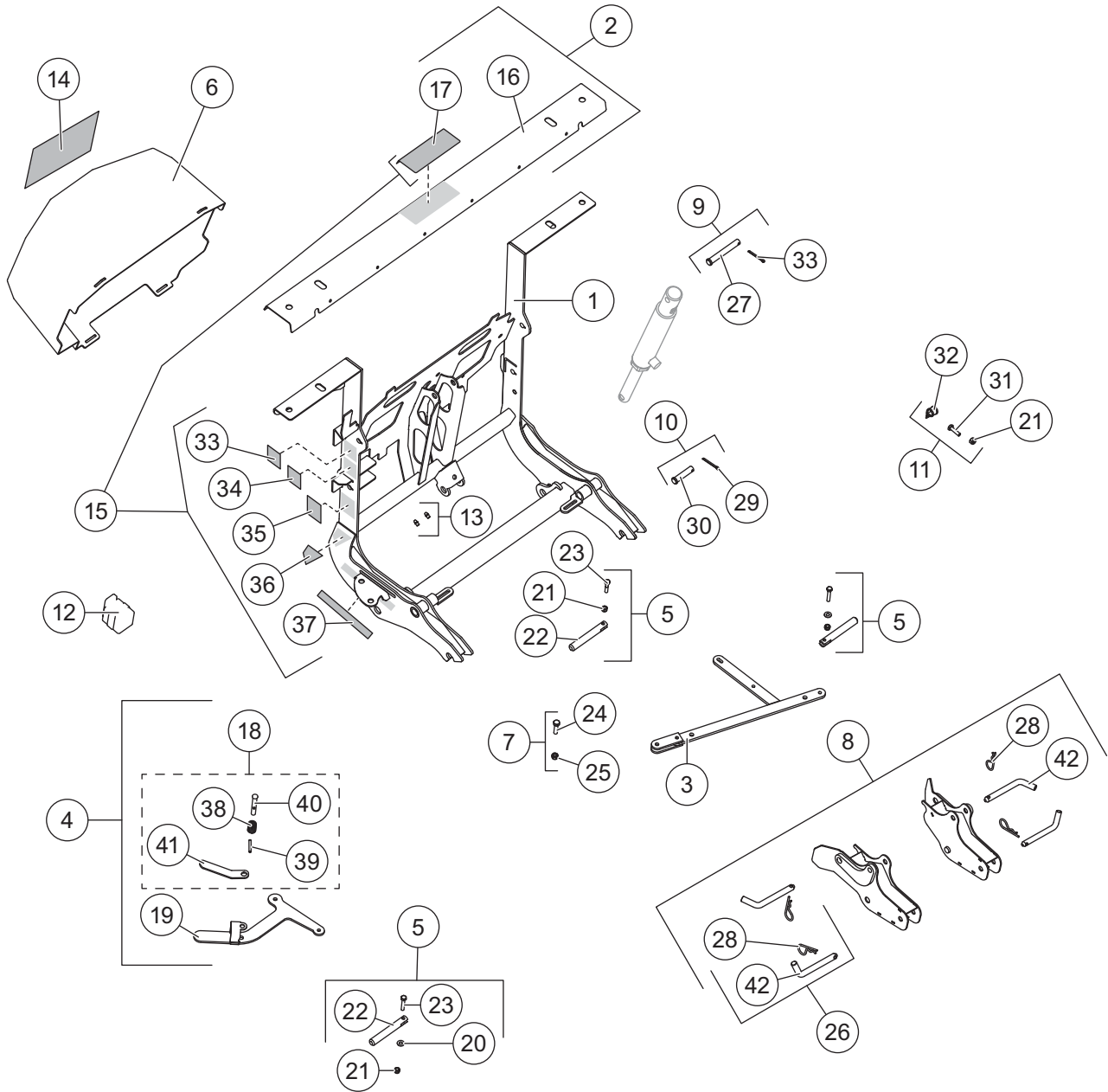


A-FRAME ASSEMBLY

A-Frame Components								
Item	Part	Qty	Description	Item	Part	Qty	Description	
1	84587	1	A-Frame – LT	4	83629	4	1/2 x 3-11/16 Clevis Pin Kit	
2	84618	2	A-Frame Pin Kit	5	85198	1	1/2 x 2-7/8 Clevis Pin Kit	
3	84592	1	Stand Kit – LT					
Item 2				84618 A-Frame Pin Kit				
	6	1	3/4 x 3-1/4 Clevis Pin		7	1	5/32 x 1-1/2 Cotter Pin	
Item 3				84592 Stand Kit – LT				
	8	84615	1	Stand Hardware Kit		9	1	Stand
Item 4				83629 1/2 x 3-11/16 Clevis Pin Kit				
	7		1	5/32 x 1-1/2 Cotter Pin		10	1	1/2 x 3-11/16 Clevis Pin
Item 5				85198 1/2 x 2-7/8 Clevis Pin Kit				
	7		1	5/32 x 1-1/2 Cotter Pin		11	1	1/2 x 2-7/8 Clevis Pin
Item 8				84615 Stand Hardware Kit				
	7		1	5/32 x 1-1/2 Cotter Pin		13	1	Stand Torsion Spring
	12		1	Stand Spring Spacer		14	1	1/2 x 3-5/8 Clevis Pin

HEADGEAR ASSEMBLY

Headgear Components

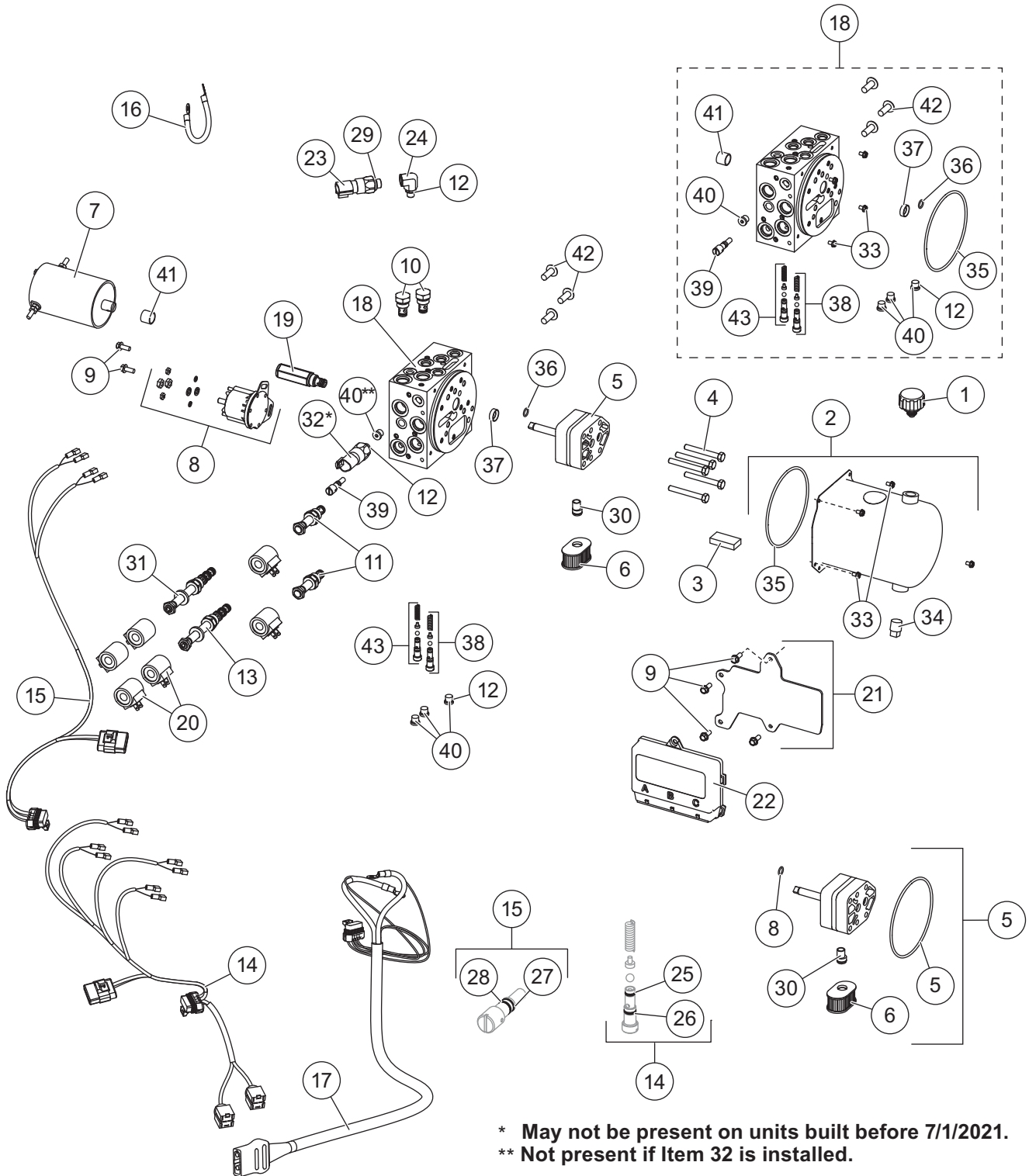


HEADGEAR ASSEMBLY

Headgear Components								
Item	Part	Qty	Description	Item	Part	Qty	Description	
1	84617	1	Headgear – LT (incl. item 13)	8	84839	1	LT Receiver Kit	
2	84619	1	Light Bar Channel – LT	9	85199	1	Lift Ram Base Pin Kit	
3	84597	1	Link Arm – LT	10	84627	1	Lift Ram Rod Pin Kit	
4	84594	1	Attach Handle Kit – LT	11	84778	1	Clamp Loop Kit	
5	84602	3	Hitch Pin Kit	12	61246	1	Cable Boot	
6	84648	1	Hydraulic Cover – LT/RD (incl. item 14)	13	84616	1	Grease Zerk (pkg of 3)	
7	84635	1	Link Arm/Attach Handle Fastener Kit	14	43859	1	Label – Information, Hydraulic	
				15	84646	1	Headgear Label Kit	
Item 2				84619 Light Bar Channel – LT				
	16	1	Light Bar	17	84553	1	Label – Logo, SnowEx® Light Bar	
Item 4				84594 Attach Handle Kit – LT				
	18	84596	1	Attach Handle Release Cam Kit	19	84004	1	Handle
Item 5				84602 Hitch Pin Kit – LT				
	20		1	1/4 Flat Washer	22		1	Hitch Pin
	21		1	1/4-20 Hex Locknut GB	23		1	1/4-20 x 1-1/2 Hex Cap Screw SS
Item 7				84635 Link Arm/Attach Handle Fastener Kit				
	24		1	5/16-18 x 1-1/4 Hex Cap Screw G5	25		1	5/16-18 Hex Locknut GB
Item 8				84839 LT Receiver Kit				
			1	Receiver, DS	26	84610	4	Receiver Pin Kit – LT
			1	Receiver, PS				
Item 9				85199 Lift Ram Base Pin Kit				
	27		1	1/2 x 2-7/8 Clevis Pin	28		1	1/8 Hairpin Cotter
Item 10				84627 Lift Ram Rod Pin Kit				
	29		1	5/32 x 1-1/2 Cotter Pin	30		1	1/2 x 2-1/8 Clevis Pin HT
Item 11				84778 Power Cable Clamp Loop Kit				
	21		1	1/4-20 Hex Locknut GB	32		1	#10 Clamp Loop
	31		1	1/4-20 x 1 Hex Cap Screw G5				
Item 15				84646 Headgear Label Kit				
	17	84553	1	Label – Logo, SnowEx Light Bar	35	69689	1	Label – Logo, SECURITY GUARD™
	33	52206	1	Label – Power Switch, Automatixx®	36	77717	1	Label – Upper, Automatixx
	34	52207	1	Label – Operation Switch, Automatixx	37	77718	1	Label – Lower, Automatixx
Item 18				84596 Attach Handle Release Cam Kit				
	38		1	Stand Lock Pin Spring	40		1	Handle Lock Pin
	39		1	3/16 x 1-3/8 Roll Pin SS	41		1	Handle Lock Pin Lever
Item 26				84610 Receiver Pin Kit – LT				
	28		1	1/8 Hairpin Cotter	42		1	1/2 x 4 Hitch Pin
				HT = Heat Treated				G = Grade
								SS = Stainless Steel

HYDRAULIC AND ELECTRICAL COMPONENTS

Hydraulic Unit Components



HYDRAULIC AND ELECTRICAL COMPONENTS

52650 Hydraulic Unit							
Item	Part	Qty	Description	Item	Part	Qty	Description
1	48278	1	Breather	17	52291	1	Snowplow Battery Cable
2	52289	1	Reservoir Kit	18	52257	1	Manifold Assembly w/o Valves RD/LT
3	73897	1	Magnet	19	42889	1	Relief Valve 4000 psi
4	90073	5	5/16-18 x 2-1/4 Hex Cap Screw G5	20	52294	6	Coil
ns	52252	1	Seal Repair Tool Kit w/Seal	21	52293-1	1	Plate, Module
5	52287	1	Hydraulic Pump Kit	22	52292-1	1	Module, Plow Control
6	48281	1	Filter	23	84838	1	Pressure Switch
ns	52251	1	Bearing Repair Tool Kit w/Bearing	24	52295	1	Elbow, 90° –4 M ORB/–6 F ORB
7	52299	1	Motor	25	55371	2	O-Ring -008
8	52290	1	Motor Relay Kit, FLEET FLEX System	26	25731	2	O-Ring -010
9	44355	6	1/4-20 x 5/8 Hex Washer-Head	27	48239	1	O-Ring -106
10	84934	2	Check Valve	28	48240	1	Back-Up Ring -106
11	84936	2	Valve, 2-Way NC w/Rev Flow	29	56569	5	O-Ring -906
12	44343	6	O-Ring -904	30	10887	1	Inlet Fitting
13	52285	1	Valve, 4-Way, 3-Position Closed Center	31	84937	1	Valve, 4-Way, 3-Position
14	70448	1	Plow Control Harness, 4-Coil	ns		3	Fuse, 5A Mini Automotive-Style (for items 25 and 26)
15	52077	1	Plow Control Harness, 2-Coil	32	83853	1	Pressure Switch (Scrape Maxx™ down-force feature)
16	29071	1	Vehicle Battery Cable 8"				
O-Ring Service Kits							
–	52298-2	–	O-Ring Kit	–	48310	–	Seal Kit, 2-Way Valves
–	48309	–	Seal Kit, 3-Way & 4-Way Valves				
Item 2		52289 Reservoir Kit					
33	66607	4	#10-24 x 5/16 Machine Screw	35	66519	1	O-Ring 2-250
34	92079	1	Plug, Square 3/8 NPTF				
Item 18		52257 Manifold Assembly w/o Valves HD					
12	44343	5	O-Ring -904	39	48517	1	Quill
33	66607	4	#10-24 x 5/16 Machine Screw	40	44344	4	Plug, Hex Socket –4 M ORB
35	66519	1	O-Ring 2-250	41†	56364	1	Bearing Sleeve
36	56274	1	O-Ring -013	42	98043	3	3/8-16 x 1 Button Cap Screw
37*	66515	1	Pump Shaft Seal	43	52284	1	Relief Valve (1 set)
38	52282	1	Relief Valve (1 set)				
ns = not shown		F = Female		M = Male		G = Grade	

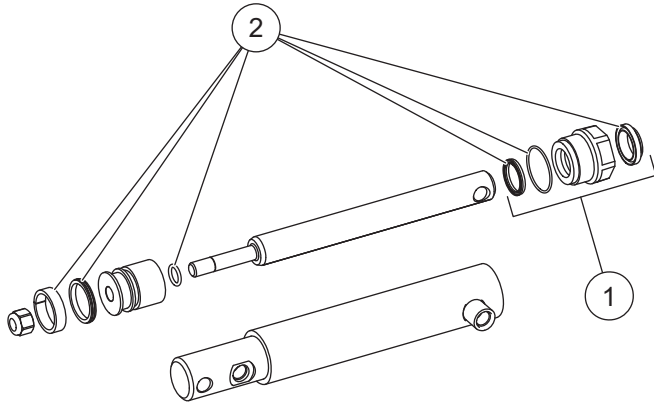
* Use 52252 tool to install.

† Use 52251 tool to install.

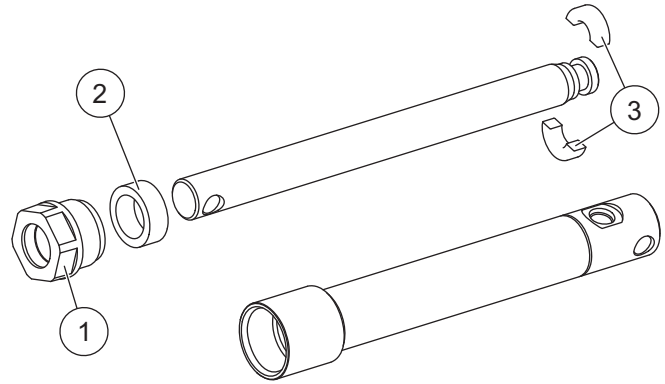
Go to www.snowexproducts.com for hydraulic unit service information and specifications.

HYDRAULIC AND ELECTRICAL COMPONENTS

Lift and Angle Ram Components



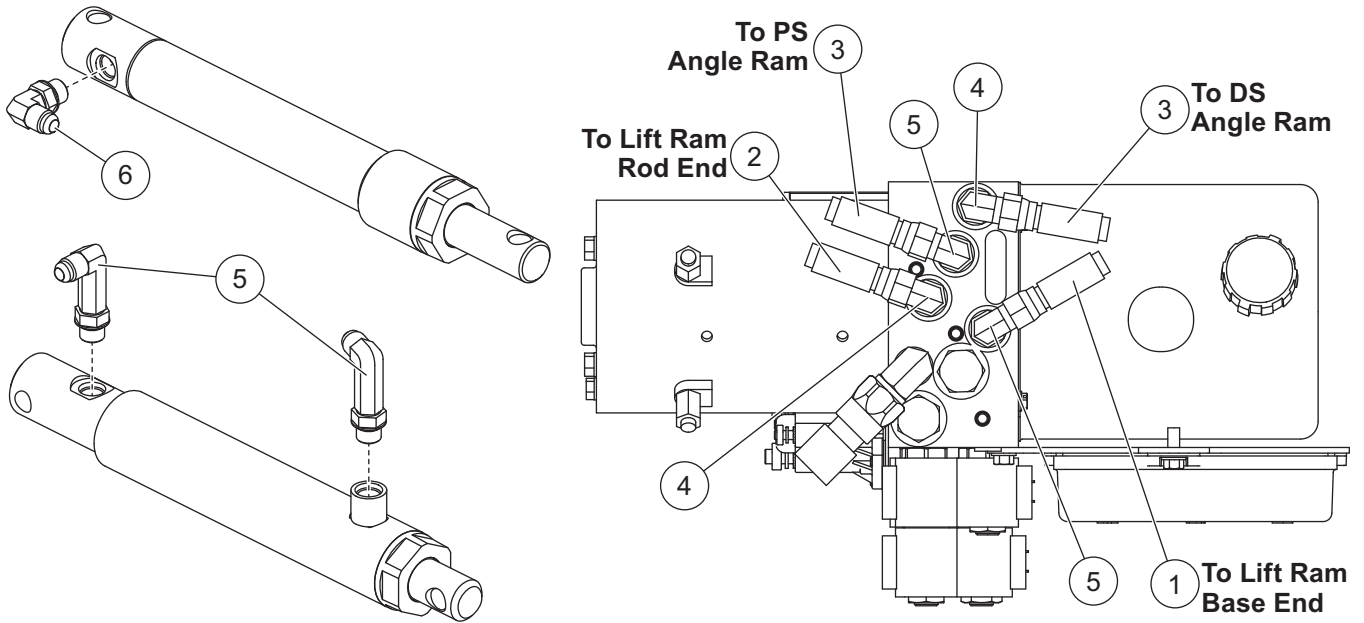
84430 Lift Ram Assembly 1-1/2 x 6 DA			
Item	Part	Qty	Description
1	52277	1	1" Gland Nut Assembly
2	52302	1	Seal Kit 1-1/2 DA Ram



84426 Angle Ram Assembly 1 x 7			
Item	Part	Qty	Description
1	52277	1	1" Gland Nut Assembly
2	56803	1	Spacer
3	52276	1	1" Split Bearing Kit

HYDRAULIC AND ELECTRICAL COMPONENTS

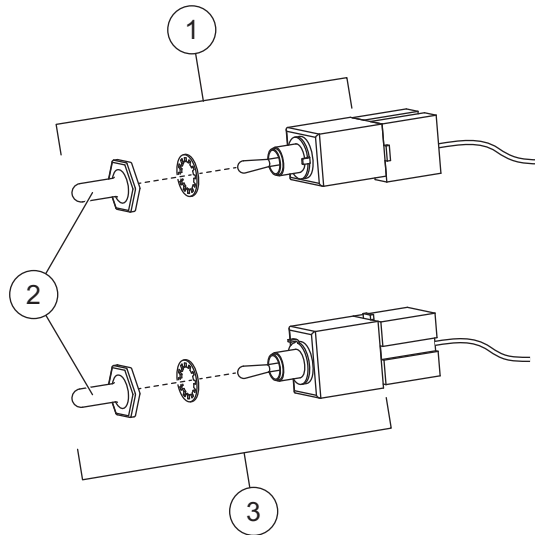
Hoses and Fittings



Hoses and Fittings							
Item	Part	Qty	Description	Item	Part	Qty	Description
1	84446	1	Hose, 1/4 x 14 w/F JIC Ends	5	40572	4	Elbow, Extra Long 90° -6 M JIC/-6 M ORB
2	84453	1	Hose, 1/4 x 20 w/F JIC Ends	6	77929	1	Elbow, 90° -6 M JIC/-6 M ORB w/Screen
3	52534	2	Hose, 3/8 x 32 w/F JIC Ends	ns	56823	1	Hose Wrap
4	56615-1	2	Elbow, 90° -6 M JIC/-6 M ORB				
			F = Female			ns = not shown	M = Male

HYDRAULIC AND ELECTRICAL COMPONENTS

Electrical Components

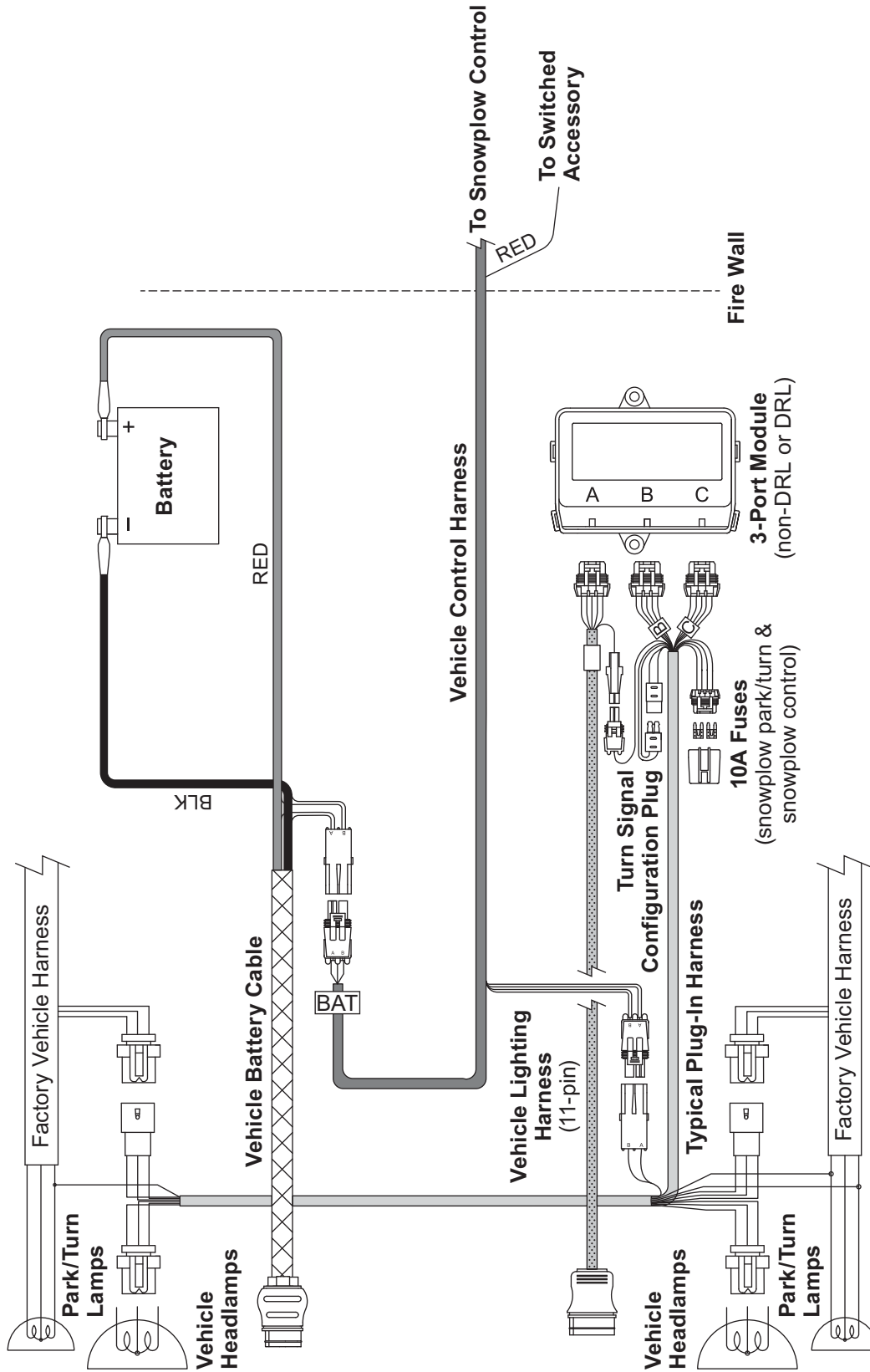


Plow-Side Electrical Components							
Item	Part	Qty	Description	Item	Part	Qty	Description
1	40575	1	Toggle Switch (MOM-ON, OFF, ON)	3	40576	1	Toggle Switch (MOM-ON, OFF, MOM-ON)
2	48259	2	Switch Boot				
Vehicle-Side Electrical Components							
*	72527	1	Vehicle Battery Cable	ns	48325	2	Plug Cover
*	28587	1	Vehicle Control Harness				
ns = not shown							

* For diagram see Vehicle-Side Harness Diagram.

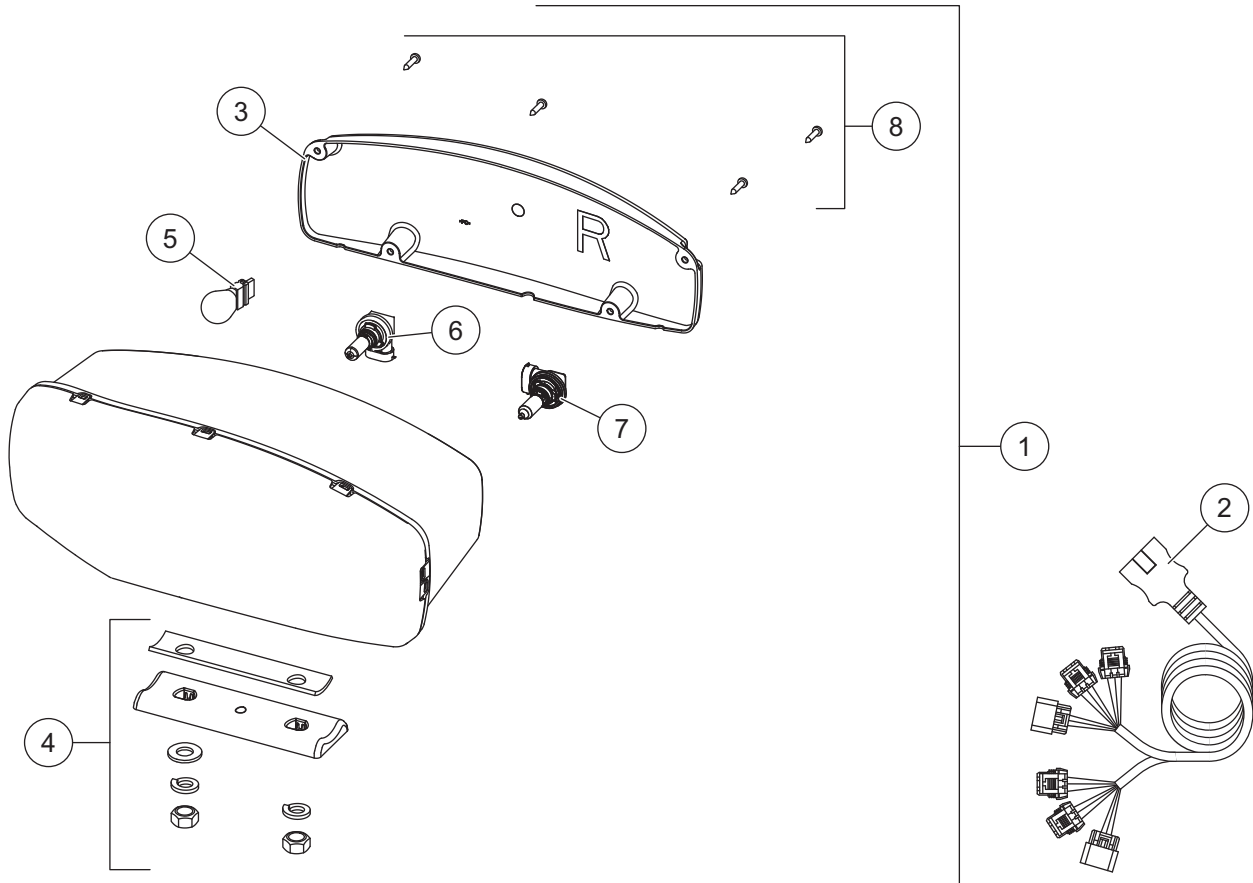
VEHICLE-SIDE HARNESS DIAGRAM

Vehicle-Side Harness Diagram



HEADLAMPS

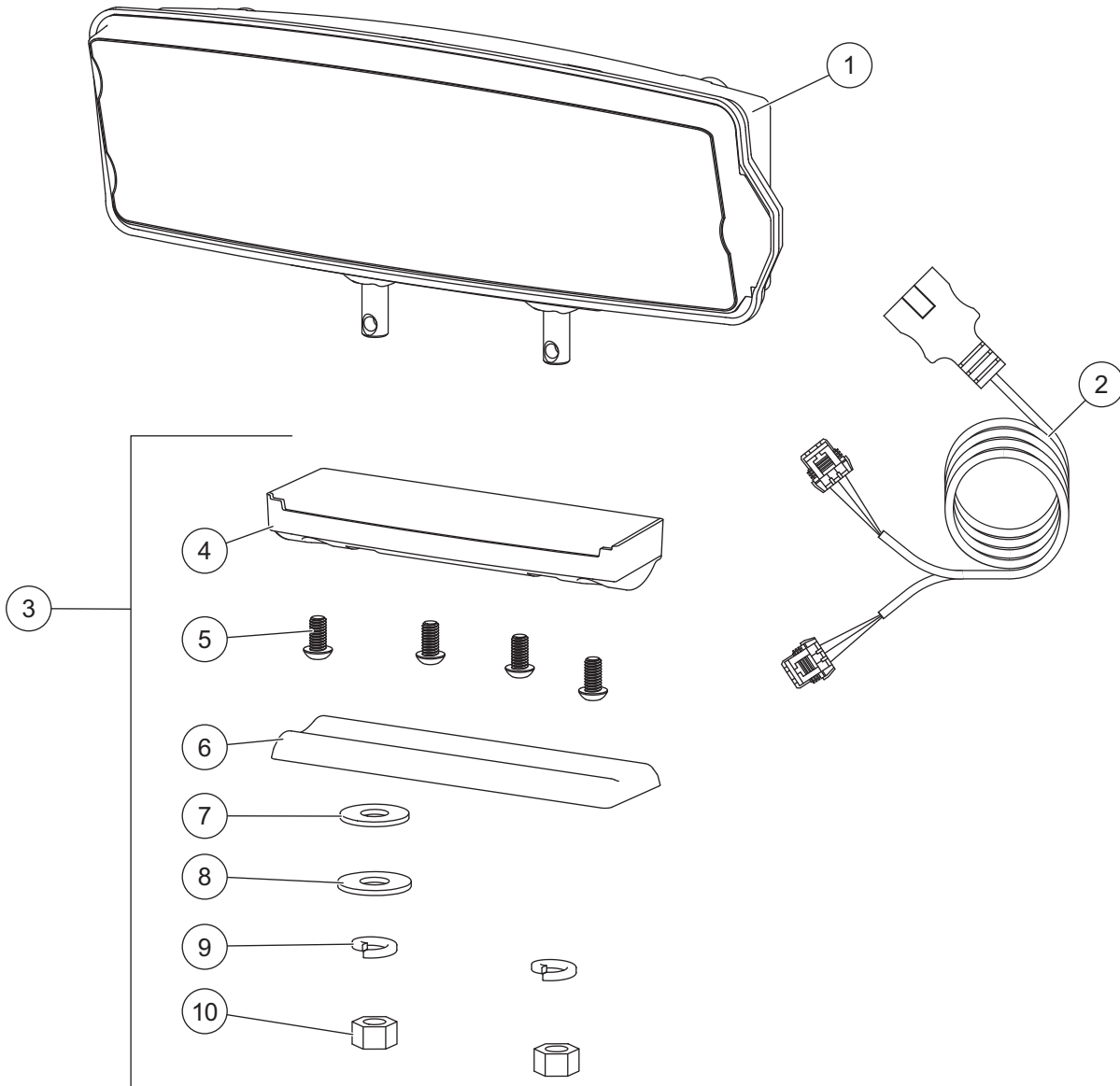
Headlamp Components – Halogen



38800 Headlamp Kit H9/H11 (pair)							
Item	Part	Qty	Description	Item	Part	Qty	Description
1	38802	1	Headlamp Service Kit H9/H11 – PS	2	38807	1	Harness Service Kit H9/H11
ns	38801	1	Headlamp Service Kit H9/H11 – DS				
Item 1	38801/38802 Headlamp Service Kit H9/H11 – PS/DS						
3	38803	1	Rear Cover Kit H9/H11 – PS	6	38811	1	Headlamp Bulb Service Kit H11
ns	38812	1	Rear Cover Kit H9/H11 – DS	7	38809	1	Headlamp Bulb Service Kit H9
4	38804	1	Mounting Hardware Kit H9/H11	8	38808	1	Cover Screws Service Kit H9/H11 (pkg of 4)
5		1	Park/Turn Bulb (trade no. 4157NAK)				
ns = not shown							

HEADLAMPS

Headlamp Kit – LED



Headlamp Kit LED							
Item	Part	Qty	Description	Item	Part	Qty	Description
1	39901	1	Headlamp Service Kit LED – DS	3	39903	1	Mounting Hardware Kit LED
ns	39902	1	Headlamp Service Kit LED – PS	ns	72512	1	LED Harness Connector Cover (pkg of 2)
2	72548	1	Harness Service Kit LED	Item 3 39903 Mounting Hardware Kit LED			
4		1	Plastic Casing	8		1	1/2 Flat Washer
5		4	1/4 Button Cap Screw	9		2	1/2 Lock Washer
6		1	Headlamp Swivel	10		2	1/2 Hex Nut
7		1	1/2 Rubber Washer	ns		1	Metal Insert

ns = not shown



TrynEx International, LLC
531 Ajax Drive
Madison Heights, MI 48071-2429
www.snowexproducts.com

 A DIVISION OF DOUGLAS DYNAMICS, LLC

Copyright © 2021 Douglas Dynamics, LLC. All rights reserved. This material may not be reproduced or copied, in whole or in part, in any printed, mechanical, electronic, film, or other distribution and storage media, without the written consent of TrynEx International, LLC. Authorization to photocopy items for internal or personal use by TrynEx International outlets or snowplow owner is granted.

TrynEx International reserves the right under its product improvement policy to change construction or design details and furnish equipment when so altered without reference to illustrations or specifications used. TrynEx International or the vehicle manufacturer may require or recommend optional equipment for snow removal. Do not exceed vehicle ratings with a snowplow. TrynEx International offers a limited warranty for all snowplows and accessories. See separately printed page for this important information. The following are registered (®) or unregistered (™) trademarks of Douglas Dynamics, LLC: Automatix®, Scrape Maxx™, SECURITY GUARD™, SnowEx®.

Printed in U.S.A.