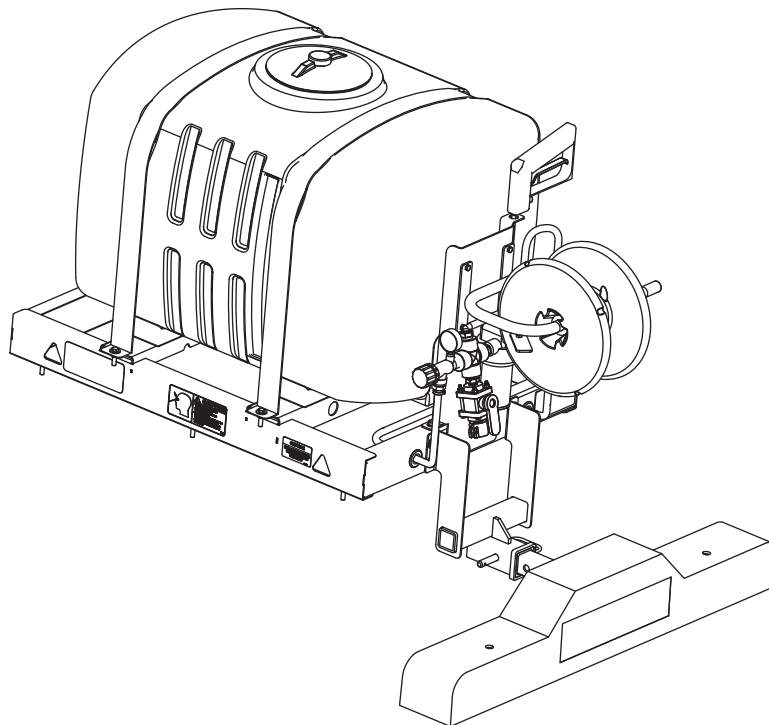




AccuSpray™ De-Icing System

VSS-1000-1

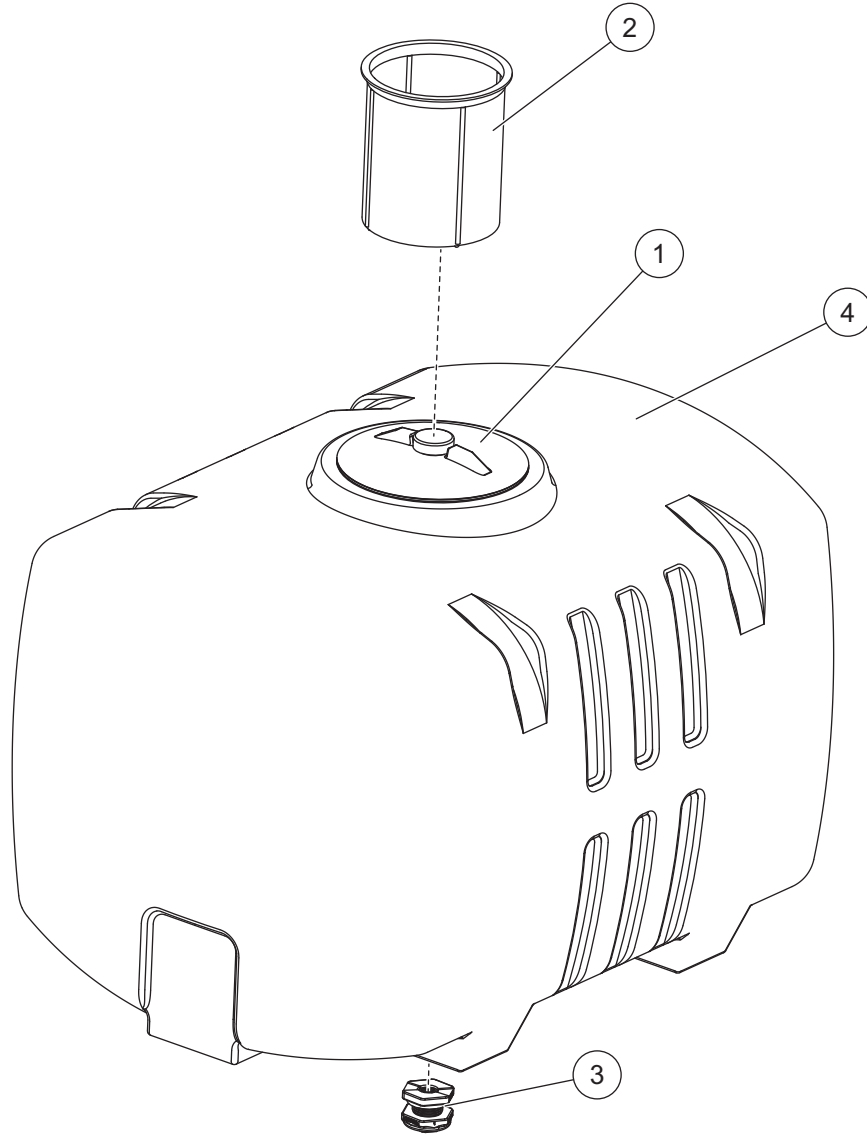
Parts List



This Parts List is for AccuSpray VSS-1000-1 de-icing systems
with serial numbers beginning with 181001 and higher.

VSS-1000-1 AccuSpray™ DE-ICING SYSTEM

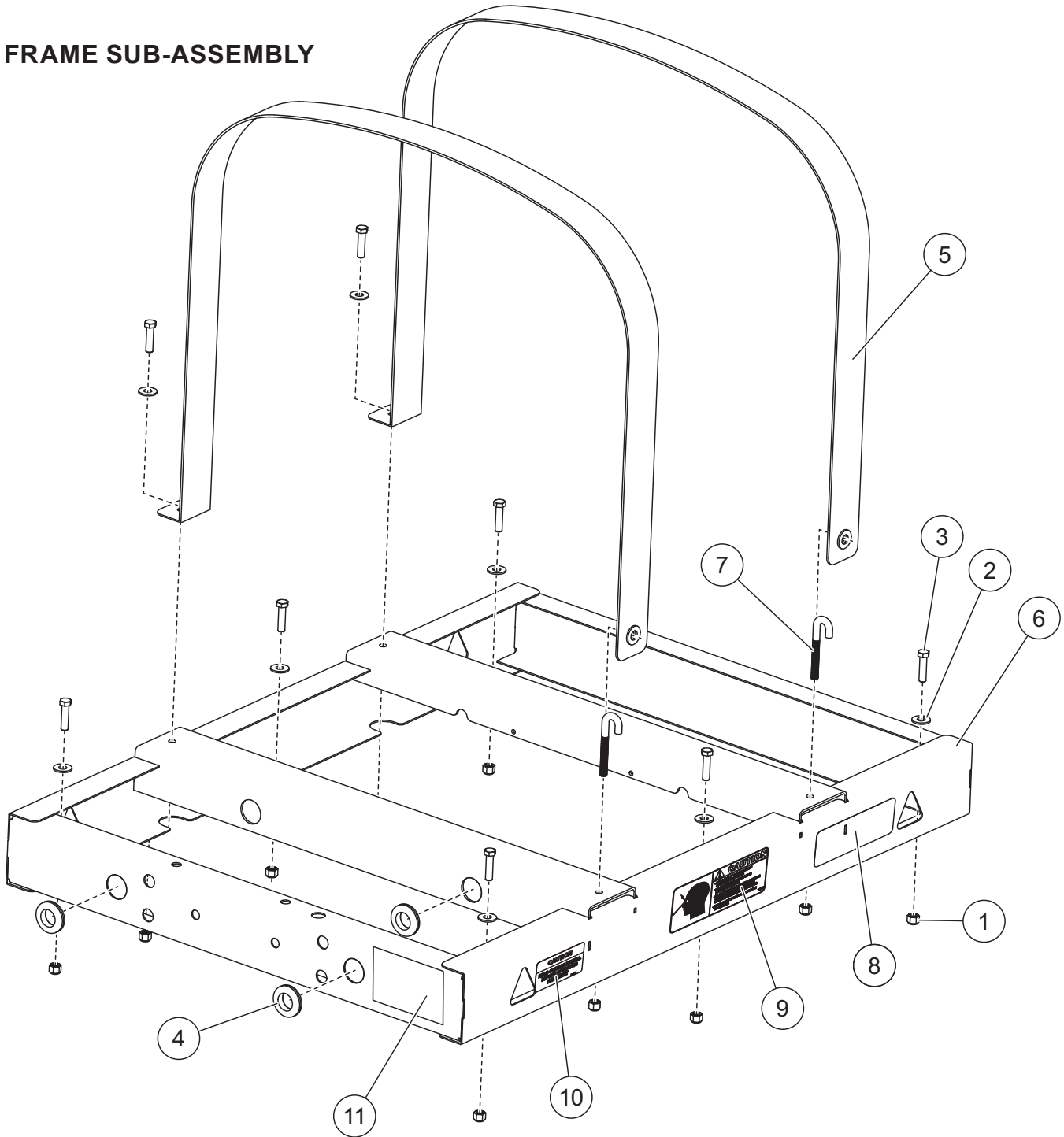
TANK SUB-ASSEMBLY



Tank Sub-Assembly							
Item	Part	Qty	Description	Item	Part	Qty	Description
1	T20323	1	Tank Lid	3	D6917	1	Bulkhead Assembly
2	T20324	1	Basket Strainer	4	57777	1	Tank, 100 gal (yellow)

VSS-1000-1 AccuSpray™ DE-ICING SYSTEM

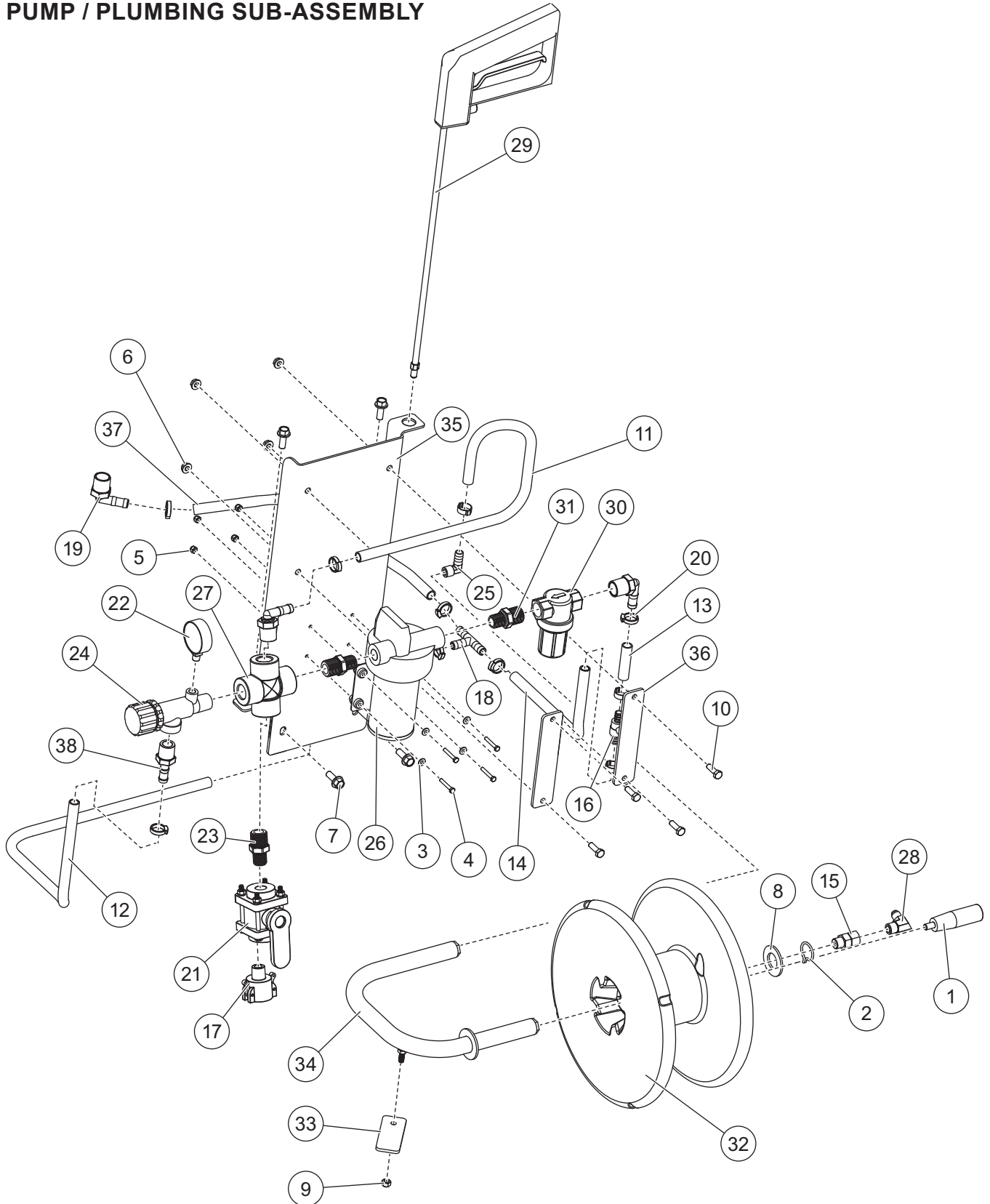
FRAME SUB-ASSEMBLY



Frame Sub-Assembly							
Item	Part	Qty	Description	Item	Part	Qty	Description
1	D4124	10	3/8-16 Locknut	7	11209	2	3/8 x 3-3/4 J-Bolt
2	D4125	8	3/8 Flat Washer Type A Wide	8	D6546	2	Label – Warning, GVWR
3	D4122	8	3/8-16 x 1-1/2 Hex Cap Screw	9	T20317	2	Label – Warning, Wear Goggles
4	D5602	3	Hose Grommet	10	D4112	2	Label – Caution, Read Owner's Manual
5	57709	2	Tank Strap, 100 gal	11	11100	1	Label – Warning, Rear Camera
6	57699	1	Frame Assembly, 100 gal				

VSS-1000-1 AccuSpray™ DE-ICING SYSTEM

PUMP / PLUMBING SUB-ASSEMBLY

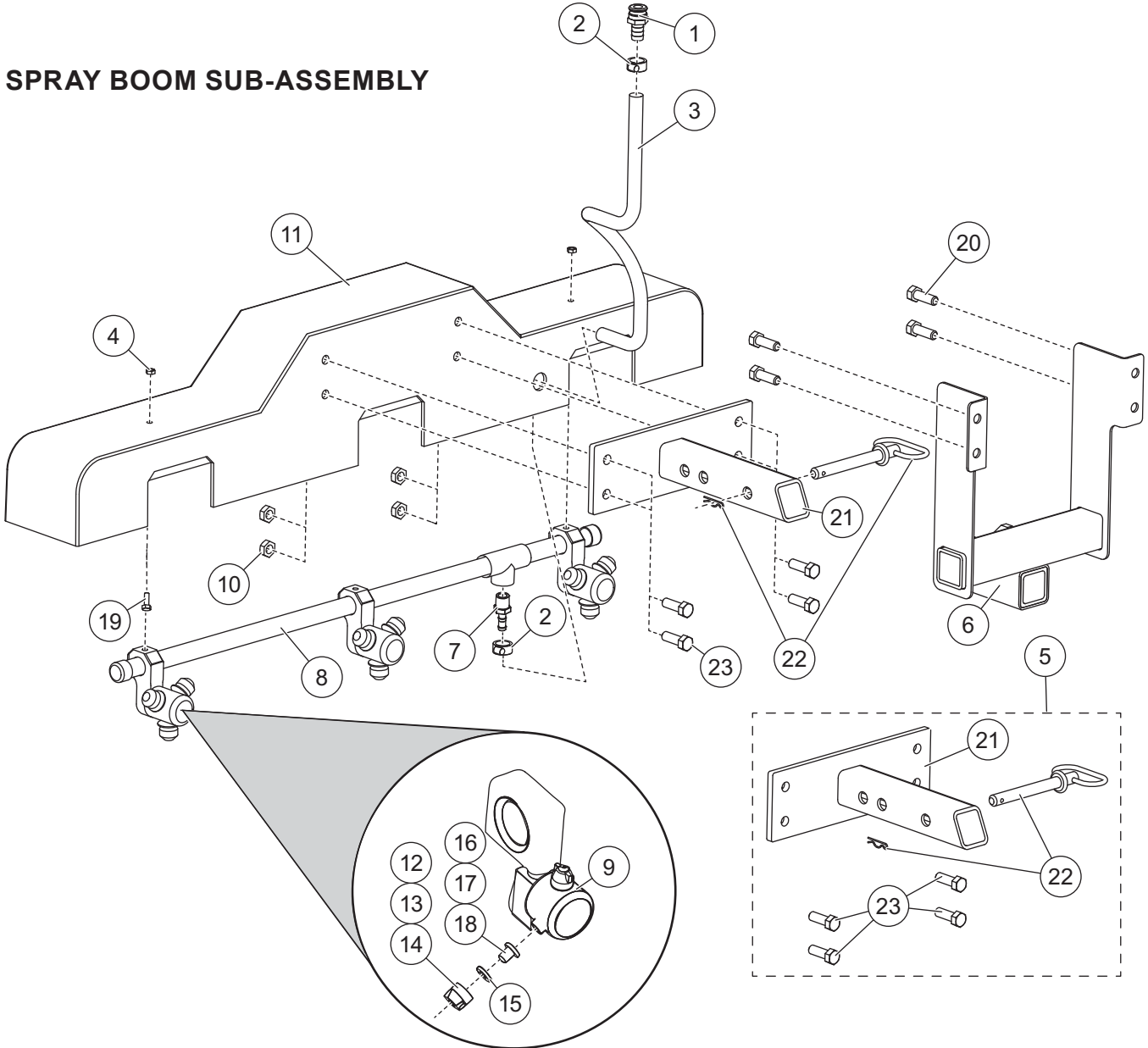


VSS-1000-1 AccuSpray™ DE-ICING SYSTEM

Pump / Plumbing Sub-Assembly							
Item	Part	Qty	Description	Item	Part	Qty	Description
1	T20312	1	Hose Reel Handle	20	F50146	7	1/2 Hose Clamp, Double Tooth Poly
2	T20319	1	Hose Reel Retainer Clip	21	D6927	1	1/2 PVC Ball Valve
3	D5292	4	#10 Flat Washer Type A SS	22	D5213	1	System Pressure Gauge
4	D5294	4	#10-32 x 1-1/4 Hex Cap Screw SS	23	D5225	3	3/4 x 1/2 Reducing Nipple
5	D5948	4	#10-32 Hex Locknut GB SS	24	D5212	1	Regulator Valve
6	D5706	4	5/16-18 Serrated Flange Nut	25	D5615	1	3/8 x 1/2 Brass Hose Barb, 90°
7	D6452	4	3/8-16 x 1 Serrated Flange Hex Cap Screw	26	D5242	1	12V On-Demand Pump
8	D4321	1	1" Flat Washer	27	D5605	1	3/4 PVC Cross
9	D6138	1	5/16 Locknut	28	T20330	1	3/8 #6 37° Brass Elbow, 90°
10	D6166	4	5/16-16 x 1 Hex Cap Screw	29	T20307	1	Spot Spray Wand
11	D6989	1	Hose, 1/2 x 14 Clear PVC	30	D6918	1	Strainer
12	D6989	1	Hose, 1/2 x 28 Clear PVC	31	D5255	1	3/4 x 1/2 Hose Barb, Straight
13	D6989	1	Hose, 1/2 x 3 Clear PVC	32	T20305	1	Poly Hose Reel
14	D6989	1	Hose, 1/2 x 15.5 Clear PVC	33	T20311	1	Hose Reel Latch
15	T20316	1	3/8 Rotary Valve	34	T20310	1	Hose Reel Support Bracket
16	T20318	1	1/2 Brass Ball Valve	35	T20302	1	Hose Reel Upright
17	D5606	1	1/2 MNPT Banjo QD Female	36	T20333	3	Ball Valve Hose Clamp
18	D5610	1	1/2 PVC Hose Barb, Tee	37	D6989	1	Hose, 1/2 x 25 Clear PVC
19	T20313	3	3/4 x 1/2 Hose Barb, 90°	38	D5255	1	3/4 x 1/2 Hose Barb, Straight
G = Grade				SS = Stainless Steel			

VSS-1000-1 AccuSpray™ DE-ICING SYSTEM

SPRAY BOOM SUB-ASSEMBLY

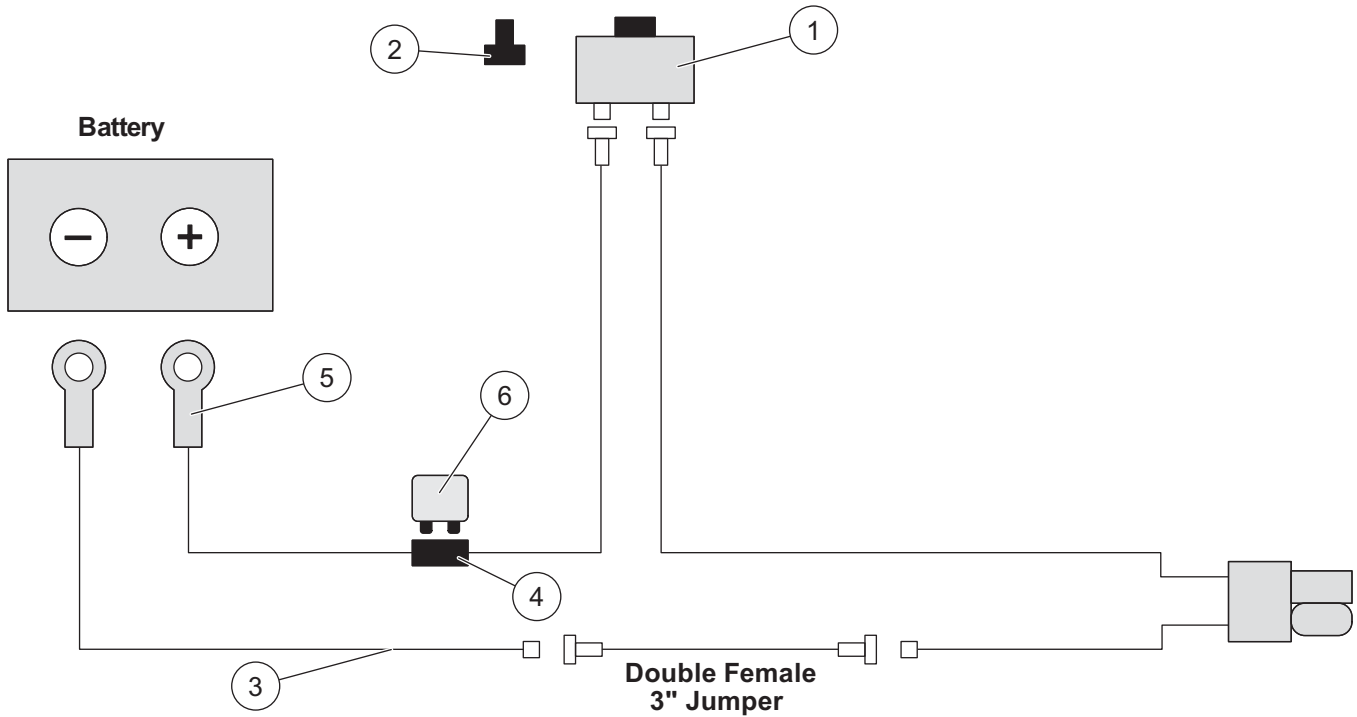


PBA-010 Spray Boom Sub-Assembly

Item	Part	Qty	Description	Item	Part	Qty	Description
1	D5607	1	1/2 Hose Barb w/Banjo QD	11	D5603	1	48" Poly Boom Body
2	T20327	2	1/2 Hose Crimp Clamp	12	D6955	3	Yellow Nozzle Cap
3	D6989	1	1/2 Boom Supply Hose, 30"	13	D6956	3	Red Nozzle Cap
4	D5706	2	5/16 Serrated Flange Nut	14	D6957	3	Green Nozzle Cap
5	75619	1	Receiver Kit	15	D6961	3	Nozzle Gasket
6	D5290	1	Wet Boom Mount	16	D5232	3	Fan Tip
7	D5255	1	3/4 x 1/2 Hose Barb, Straight	17	D5233	3	Streamer Tip
8	D5604	1	Boom Manifold Pipe	18	D5234	3	Triple Streamer Tip
9	D6939	3	Rotary Nozzle Assembly	19	D6166	2	5/16-18 x 1 Hex Cap Screw
10	D5535	4	1/2-13 Serrated Flange Nut	20	F52031	4	1/2-13 x 1-1/2 Hex Cap Screw SS
Item 5				75619 Receiver Kit			
	21	1	Light Duty Receiver Mount		23	4	1/2-13 x 1 Serrated Flange Hex Cap Screw
	22	1	Hitch Pin Kit				Cap Screw
SS = Stainless Steel							

VSS-1000-1 AccuSpray™ DE-ICING SYSTEM

ELECTRICAL COMPONENTS



Electrical Components							
Item	Part	Qty	Description	Item	Part	Qty	Description
1	D6184	1	ON/OFF Switch	5	D7105	2	3/8 Ring Terminal
2	D6406	1	Rubber Switch Boot	6	57842	1	Auto Resetting Fuse Circuit Breaker, 25A
3	D6716	1	Wiring Harness				
4	D6425	1	Fuse Holder				



TrynEx International, LLC
531 Ajax Drive
Madison Heights, MI 48071-2429
www.snowexproducts.com

 A DIVISION OF DOUGLAS DYNAMICS, LLC

Copyright © 2021 Douglas Dynamics, LLC. All rights reserved. This material may not be reproduced or copied, in whole or in part, in any printed, mechanical, electronic, film, or other distribution and storage media, without the written consent of TrynEx International, LLC. Authorization to photocopy items for internal or personal use by TrynEx International outlets or sprayer/de-icing system owner is granted.

TrynEx International reserves the right under its product improvement policy to change construction or design details and furnish equipment when so altered without reference to illustrations or specifications used. TrynEx International or the vehicle manufacturer may require or recommend optional equipment for sprayers/de-icing systems. Do not exceed vehicle ratings with a sprayer/de-icing system. TrynEx International offers a limited warranty for all sprayers/de-icing systems and accessories. See separately printed page for this important information. The following are registered (®) or unregistered (™) trademarks of Douglas Dynamics, LLC: AccuSpray™, SnowEx®.

Printed in U.S.A.