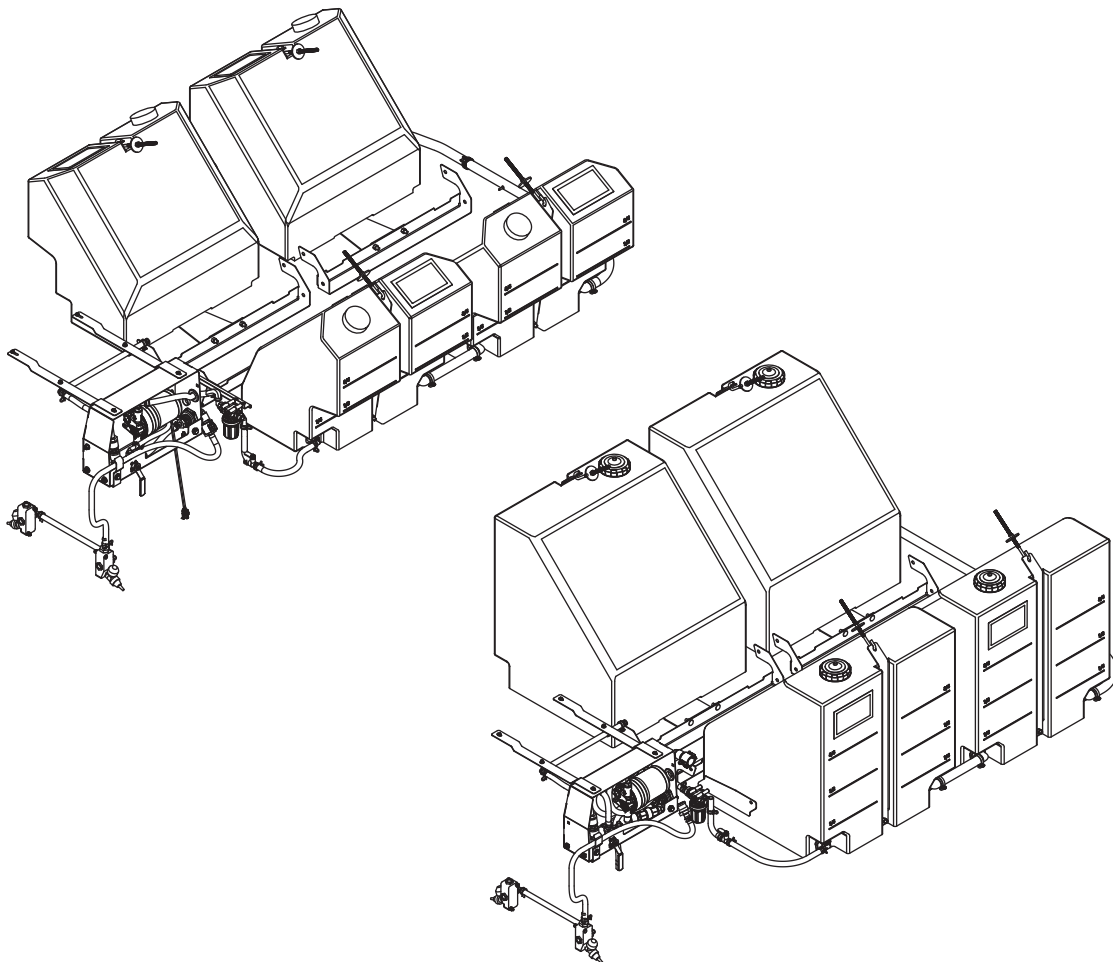


HELIXX™ Hopper Spreader Liquid Kit (ON/OFF System)

#74610, 74620, 74630

Owner's Manual / Installation Instructions / Parts List



⚠ CAUTION

Read this manual before installing or
operating the liquid kit.

TABLE OF CONTENTS

SAFETY	4	PLUMBING THE SYSTEM	13
Safety Definitions	4	Plumbing the Output Side	13
Warning/Caution Labels	4	Plumbing the Input Side	13
Safety Precautions	5	WIRING & HARNESS INSTALLATION –	
Personal Safety	5	POLY HOPPER	15
Cell Phones	6	Installing the Pump Kit	15
Ventilation	6	Liquid Kit Harness Wiring Diagram	16
Battery Safety	6	OPERATING INSTRUCTIONS	17
Noise	6	Adjusting the Flow	17
Vibration	6	Manually Calibrating the Flow	17
Torque Chart	6	Application Rates	18
MOUNTING THE PUMP BOX	7	MAINTENANCE & TROUBLESHOOTING	21
MOUNTING SPRAY BRACKET, SPRAY		Periodic Maintenance	21
MANIFOLDS & NOZZLES	9	Cleaning	21
Mounting the Spray Bracket	9	End of Season and Storage	21
Mounting Manifolds & Nozzles	9	Troubleshooting Guide	21
MOUNTING THE TANKS	10	PARTS LIST	22
Mounting the Tanks	10	Pump Box Components	22
Drilling the Mounting Holes	10	Spray System Components	24
Installing the Tank Mounting Brackets	11	Tank Components	26
INSTALLING TANKS & STRAPS	12	100 Gallon Expansion Tank Components	28
		Internal Pump Box Components	30
		Electrical Components	31

SAFETY

SAFETY DEFINITIONS

WARNING

Indicates a potentially hazardous situation that, if not avoided, could result in death or serious personal injury.

CAUTION

Indicates a potentially hazardous situation that, if not avoided, may result in minor or moderate injury. It may also be used to alert against unsafe practices.

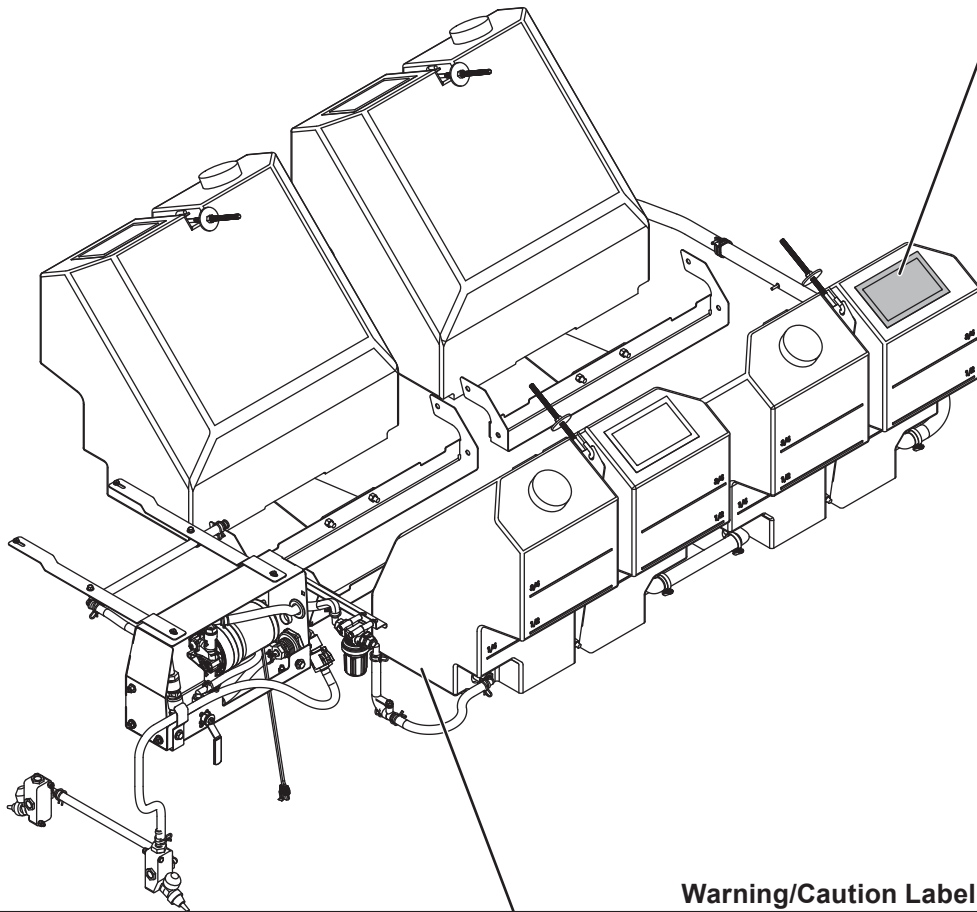
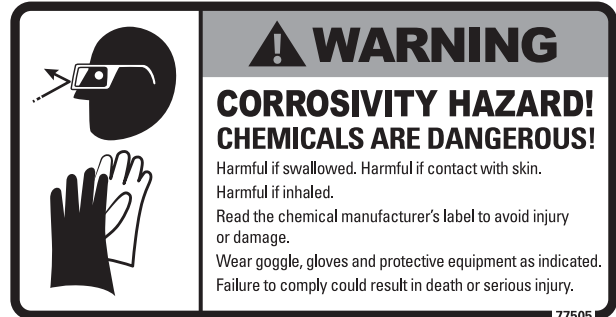
NOTE: Indicates a situation or action that can lead to damage to your liquid system and vehicle or other property. Other useful information can also be described.

WARNING/CAUTION LABELS





Please become familiar with the warning and caution labels on the liquid system.

NOTE: If labels are missing or cannot be read, see your sales outlet.

Warning Label – Corrosivity Hazard



Warning/ Caution Label

	<p style="text-align: center;"> WARNING</p> <ul style="list-style-type: none"> • DO NOT exceed GVWR or GAWR with spreader and load. • Turn spreader OFF before filling, adjusting or cleaning. • Bystanders to stay a minimum of 25 feet away from operating spreader. • DO NOT climb into or ride on spreader. • Keep hands, feet and clothing away from moving conveyor and spinner. 		<p style="text-align: center;"> CAUTION</p> <ul style="list-style-type: none"> • Read Owner's Manual before operating or servicing spreader. • Empty and clean spreader after every use.
---	---	---	--

68584

SAFETY

SAFETY PRECAUTIONS

Improper installation and operation could cause personal injury and/or equipment and property damage. Read and understand labels and the Owner's Manual before installing, operating, or making adjustments.

⚠ WARNING

- **Driver to keep bystanders a minimum of 25 feet away from operating liquid system.**
- **Before working with the liquid system, secure all loose-fitting clothing and unrestrained hair.**
- **Before operating the liquid system, verify that all safety guards are in place.**
- **Before servicing the liquid system, wait for conveyor and spinner to stop.**
- **Do not climb into or ride on liquid system.**

⚠ WARNING

Overloading could result in an accident or damage. Do not exceed GVWR or GAWR ratings as found on the driver-side door cornerpost of the vehicle. See Loading section of your spreader Owner's Manual to determine maximum volumes of spreading material.

⚠ WARNING

- **The drive shafts, conveyor, and spinner assemblies transmit great amounts of power and, accordingly, are hazardous when in operation. All maintenance, inspections, or operator adjustments must be made with all source power OFF.**
- **Keep liquid system and surrounding area clear of personnel and property when operating.**
- **When traveling, especially fully loaded, this machine may have a high center of gravity, and care should be exercised when turning or driving on banked surfaces.**
- **Unauthorized modifications to the liquid system and related components may impair the function and/or safety.**

⚠ CAUTION

- **Do not operate a liquid system in need of maintenance.**
- **Before operating the liquid system, reassemble any parts or hardware removed for cleaning or adjusting.**
- **Before operating the liquid system, remove materials such as cleaning rags, brushes, and hand tools from the liquid system.**
- **While operating the liquid system, use auxiliary warning lights, except when prohibited by law.**
- **Tighten all fasteners according to the torque chart. Refer to torque chart for the recommended torque values.**

⚠ CAUTION

Disconnect electric and/or hydraulic power and tag out if required before servicing or performing maintenance.

⚠ CAUTION

DO NOT leave unused material in hopper. Material can freeze or solidify, causing unit to not work properly. Empty and clean after each use.

PERSONAL SAFETY

- Remove the ignition key and put the vehicle in PARK or in gear to prevent others from starting the vehicle during installation or service.
- Wear only snug-fitting clothing while working on your vehicle or liquid system.
- Do not wear jewelry or a necktie, and secure long hair.
- Wear safety goggles to protect your eyes from battery acid, gasoline, dirt, dust, and brine.
- Avoid touching hot surfaces such as the engine, radiator, hoses, and exhaust pipes.
- Always have a fire extinguisher rated BC handy, for flammable liquids and electrical fires.

SAFETY

CELL PHONES

A driver's first responsibility is the safe operation of the vehicle. The most important thing you can do to prevent a crash is to avoid distractions and pay attention to the road. Wait until it is safe to operate mobile communication equipment such as cell phones, text messaging devices, pagers, or two-way radios.

VENTILATION

⚠ WARNING

Vehicle exhaust contains lethal fumes. Breathing these fumes, even in low concentrations, can cause death. Never operate a vehicle in an enclosed area without venting exhaust to the outside.

BATTERY SAFETY

⚠ CAUTION

Batteries normally produce explosive gases which can cause personal injury. Therefore, do not allow flames, sparks, or lit tobacco to come near the battery. When charging or working near a battery, always cover your face and protect your eyes, and also provide ventilation.

- **Batteries contain sulfuric acid which burns skin, eyes, and clothing.**
- **Disconnect the battery before removing or replacing any electrical components.**

NOISE

Airborne noise emission during use is below 70 dB(A) for the liquid system operator.






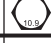


VIBRATION

Operating liquid system vibration does not exceed 2.5 m/s² to the hand-arm or 0.5 m/s² to the whole body.

TORQUE CHART

⚠ CAUTION

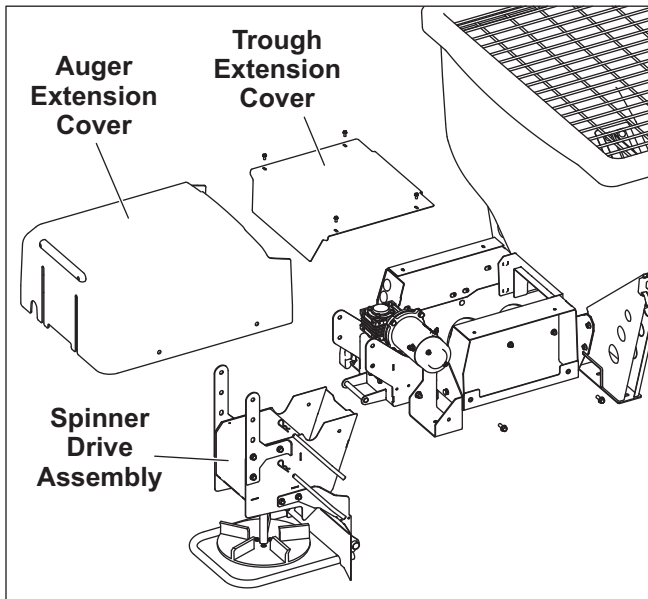
Read instructions before assembling. Fasteners should be finger tight until instructed to tighten according to torque chart. Use standard methods and practices when attaching liquid system, including proper personal protective safety equipment.

Recommended Fastener Torque Chart					
Inch Fasteners Grade 5 and Grade 8					
Size	Torque (ft-lb)		Size	Torque (ft-lb)	
	 Grade 5	 Grade 8		 Grade 5	 Grade 8
1/4-20	8.4	11.9	9/16-12	109	154
1/4-28	9.7	13.7	9/16-18	121	171
5/16-18	17.4	24.6	5/8-11	150	212
5/16-24	19.2	27.3	5/8-18	170	240
3/8-16	30.8	43.6	3/4-10	269	376
3/8-24	35.0	49.4	3/4-16	297	420
7/16-14	49.4	69.8	7/8-9	429	606
7/16-20	55.2	77.9	7/8-14	474	669
1/2-13	75.3	106.4	1-8	644	909
1/2-20	85.0	120.0	1-12	704	995
Metric Fasteners Class 8.8 and 10.9					
Size	Torque (ft-lb)		Size	Torque (ft-lb)	
	 Class 8.8	 Class 10.9		 Class 8.8	 Class 10.9
M6 x 1.00	7.7	11.1	M20 x 2.50	325	450
M8 x 1.25	19.5	26.9	M22 x 2.50	428	613
M10 x 1.50	38.5	53.3	M24 x 3.00	562	778
M12 x 1.75	67	93	M27 x 3.00	796	1139
M14 x 2.00	107	148	M30 x 3.50	1117	1545
M16 x 2.00	167	231	M33 x 3.50	1468	2101
M18 x 2.50	222	318	M36 x 4.00	1952	2701
These torque values apply to fasteners except those noted in the instructions.					

MOUNTING THE PUMP BOX

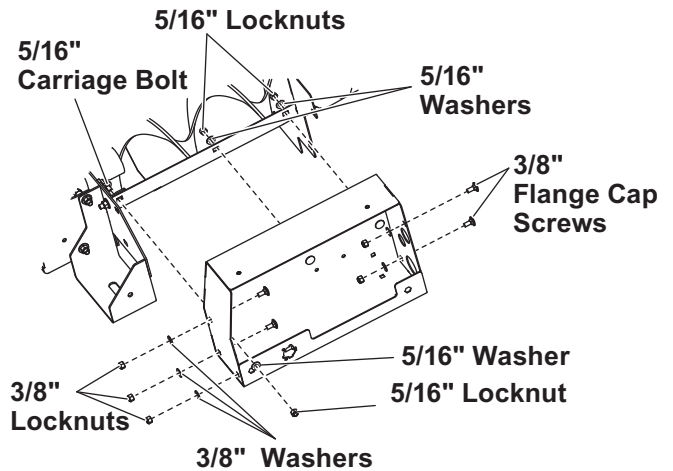
MOUNTING THE PUMP BOX

1. Remove all packing material from the liquid kit before installation.
2. Remove the spreader spinner drive assembly, auger extension cover, and trough extension cover.

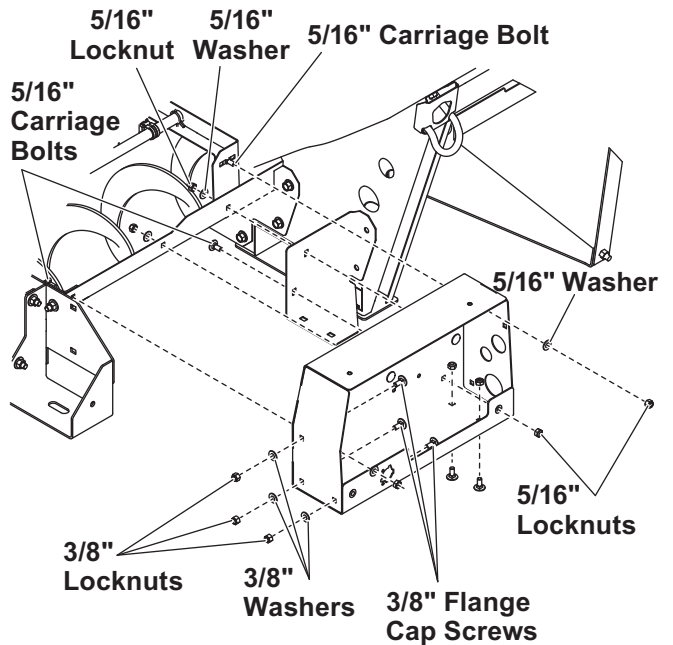


3. Remove the existing box from the passenger's side of the spreader frame by removing the two 3/8" flange cap screws to the hopper leg, the three 5/16" carriage bolts through the auger trough, and the two 5/16" fasteners at the back of the box as shown below.

For HELIXX™ Steel Hopper Spreaders:



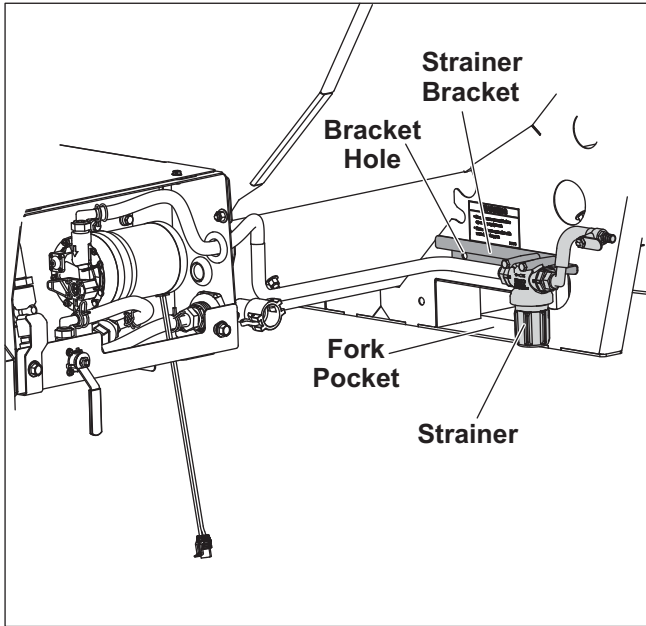
For HELIXX Poly Hopper Spreaders:



MOUNTING THE PUMP BOX

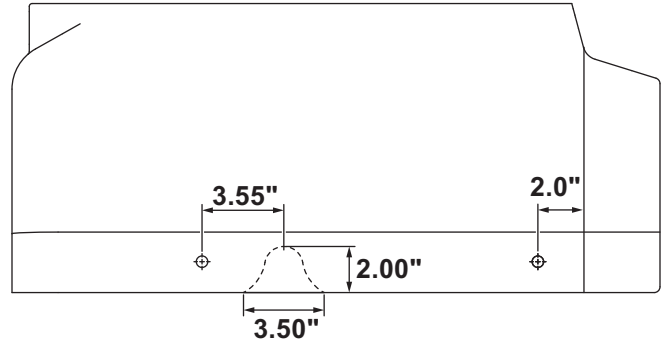
- Position the pump box to the spreader frame, inserting the two bolts behind the pump through the holes in the auger trough. Align the hole in the strainer bracket with the upper hole in the leg and install the fasteners removed in Step 3.

For HELIXX™ Steel Hopper Spreaders: Mount the strainer bracket on the hole over the fork pocket.

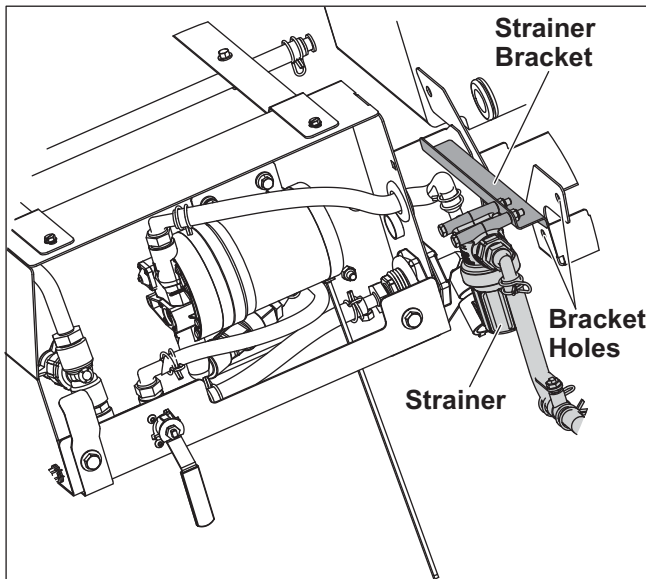


- Connect the hose from the front of the pump box to the strainer outlet fitting and secure with spring-type clamps.

NOTE: Upon receiving a pre-wet kit, the plastic cover must be trimmed to allow for clearance of the valve and fittings. Trim the cover according to the template shown below.



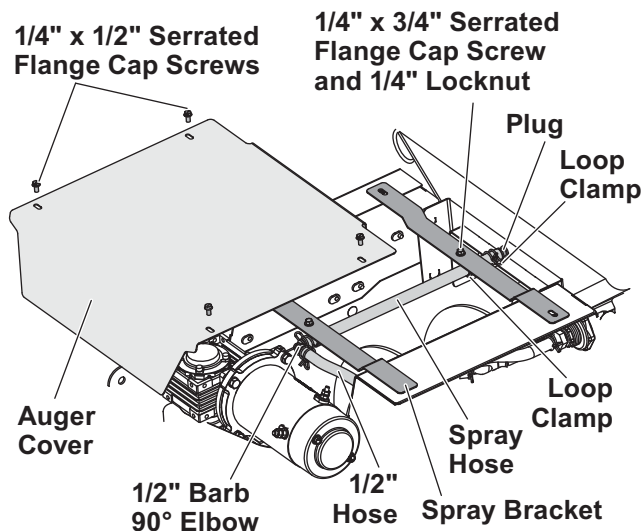
For HELIXX Poly Hopper Spreaders:



MOUNTING SPRAY BRACKET, SPRAY MANIFOLDS & NOZZLES

MOUNTING THE SPRAY BRACKET

1. Install the plug into the spray hose and secure it by using a 1/2" double spring clamp.
2. Use two loop clamps and 1/4" x 3/4" serrated flange cap screws with 1/4" locknuts to attach the spray hose to the spray brackets. Verify that the slits in the spray hose face the auger when installed. The slits will be along the pink line.
3. Position the spray brackets on top of the electrical box and pump box. Align the holes in the brackets with the mounting holes.
4. Install the 1/2" barb 90° elbow into the spray tube and 1/2" hose from the pump box. Secure it by using spring-type clamps.
5. Position the auger cover over the spray brackets. Secure the cover with 1/4" x 1/2" serrated flange cap screws.

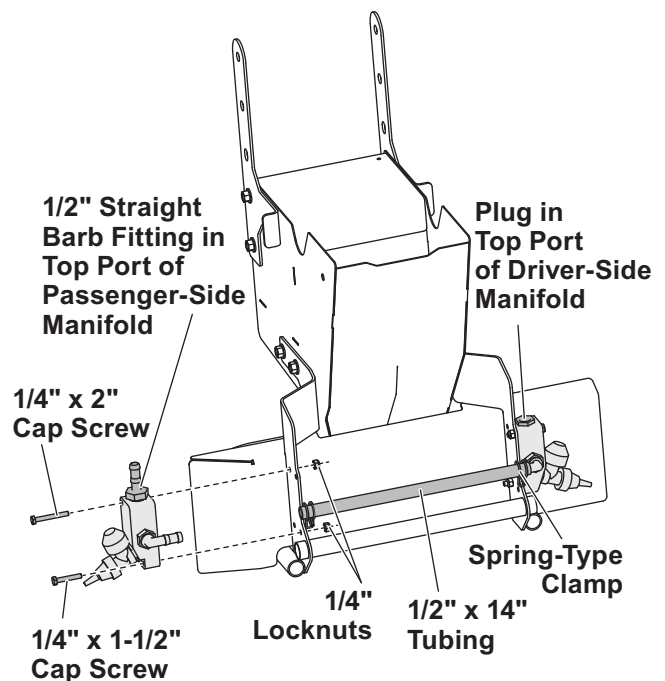


MOUNTING MANIFOLDS & NOZZLES

1. Position a manifold assembly with fittings to each side of the chute frame and align the mounting holes.

NOTE: The driver-side manifold top port is plugged. The passenger-side manifold top port has a 1/2" straight barb fitting.

2. Install the assembly using a 1/4" x 2" cap screw in the top hole and a 1/4" x 1-1/2" cap screw in the bottom hole. Secure the cap screws with 1/4" locknuts.
3. Connect the manifolds with a 14" long length of 1/2" tubing between the 90° elbow fittings. Secure the tubing with spring-type clamps.



MOUNTING THE TANKS

MOUNTING THE TANKS

NOTE: While handling the hopper, ensure that the hopper mounting bolts do not damage the liquid tanks.

If this is a new hopper spreader installation, follow the installation steps as outlined in the hopper spreader Installation Instructions. Once the hopper has been located in the vehicle and the mounting holes have been made, remove the hopper from the vehicle. Ensure that the mounting bolts are in the mounting bar holes before installing the liquid tanks to the hopper.

If this hopper has been previously installed in the vehicle, remove the hopper from the vehicle. Ensure that the spreader mounting bolts are in the mounting bar holes before installing the liquid tanks to the hopper.

Once the tanks have been installed onto the hopper, place the hopper back into the vehicle and mount the hopper to the vehicle as described in the hopper spreader Installation Instructions.

DRILLING THE MOUNTING HOLES

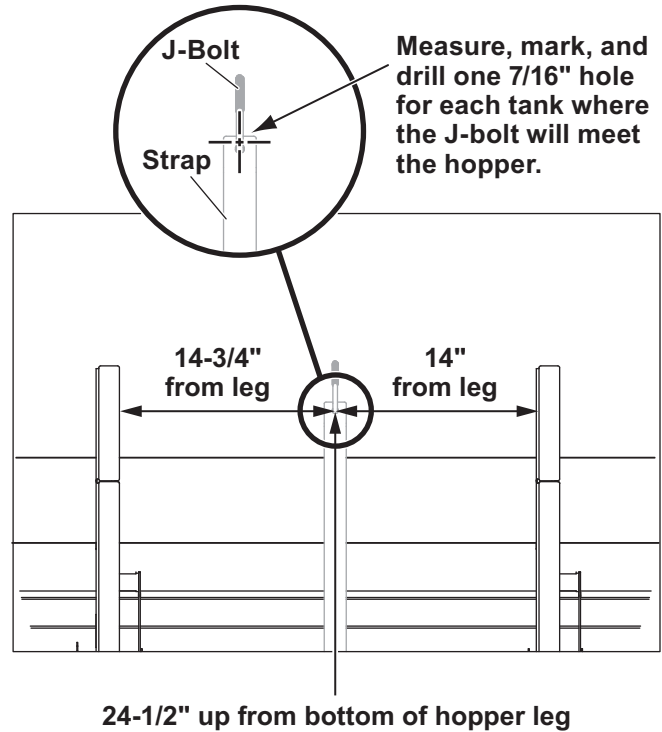
1. Determine the desired tank configuration.

⚠ CAUTION

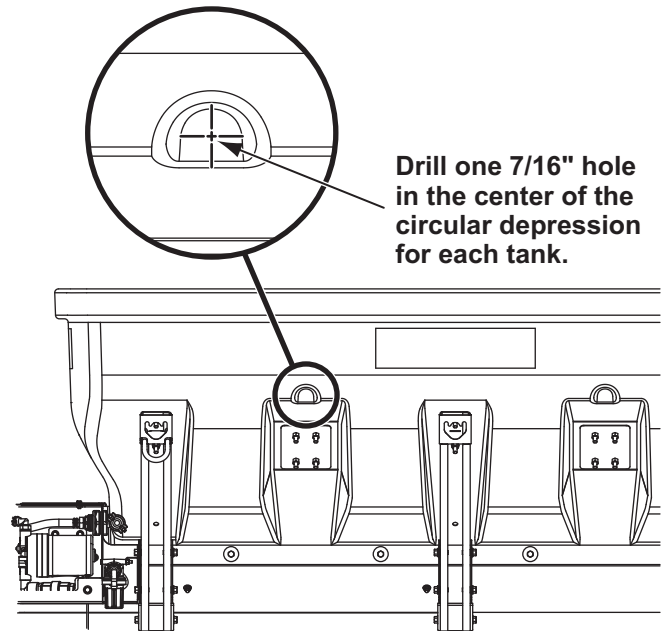
Before drilling holes, check to be sure that no vehicle wiring or other components could be damaged.

2. Use a 7/16" drill bit to drill one hole per tank through the hopper wall in the spreader according to the instructions shown on the right.

For HELIXX™ Steel Hopper Spreaders:



For HELIXX Poly Hopper Spreaders:

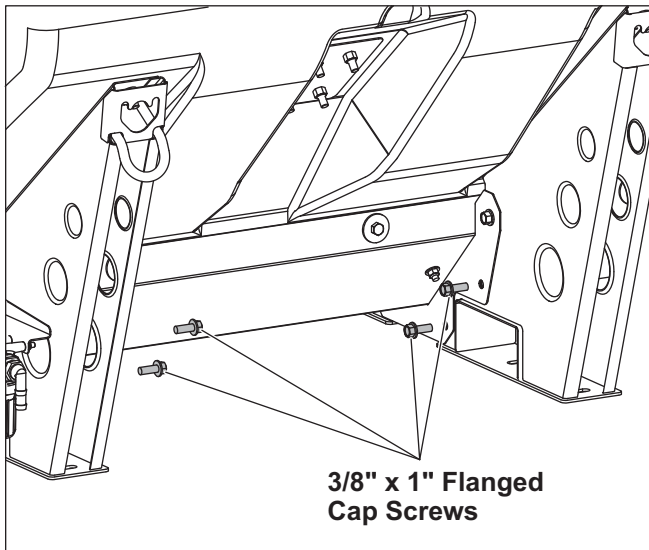


MOUNTING THE TANKS

INSTALLING THE TANK MOUNTING BRACKETS

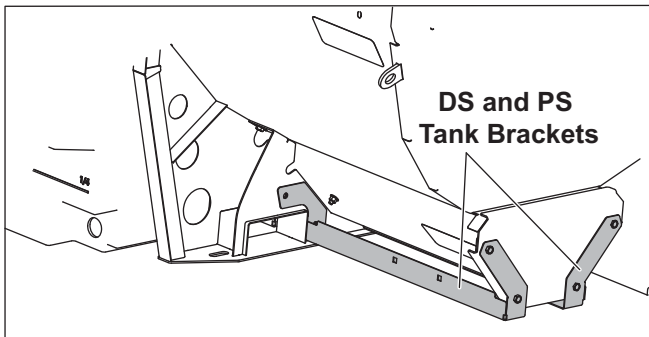
The tank mounting brackets must be installed one at a time. After the removed fasteners for the first bracket have been reinstalled, proceed to the next bracket installation.

1. Secure tank mounting brackets with fasteners. Remove the two lower $3/8"$ x $1"$ serrated flange cap screws from the inside of the legs on each side of the tank location as shown below.

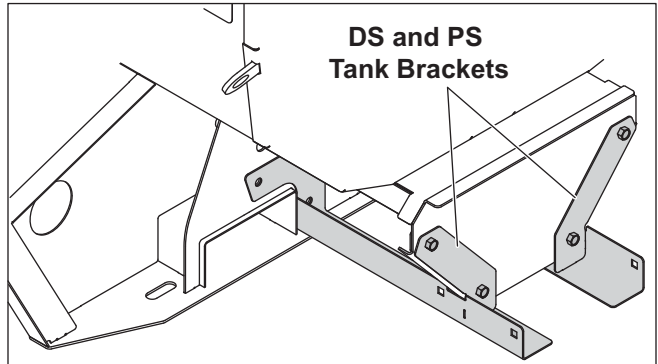


2. Position the tank mounting bracket between the frame legs. Align the mounting holes.

For 7' and 8' steel hopper spreaders using the 100 gallon kit: On the cab end of the hopper, use the driver-side and passenger-side tank brackets as shown below, instead of the regular symmetrical tank brackets.

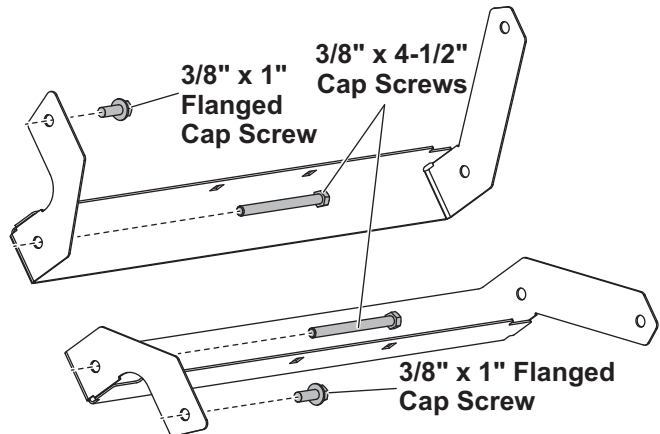


For 9' and 10' steel hopper spreaders using the 100 gallon expansion kit: On the cab end of the hopper use the driver-side and passenger-side tank brackets shown below instead of the symmetrical tank brackets.

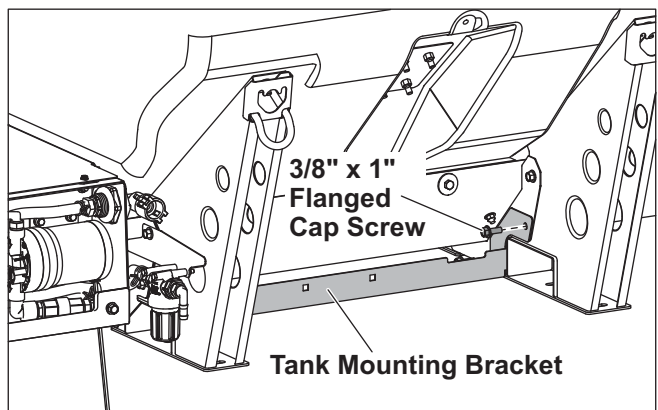


For poly hopper spreaders: Use all four of the symmetrical tank brackets.

3. **For steel hopper spreaders:** Use the $3/8"$ x $4-1/2"$ cap screw in the hole by the fork pocket and the $3/8"$ x $1"$ flanged cap screw in the upper hole.



For poly hopper spreaders: Reinstall the fasteners removed in Step 1.



INSTALLING TANKS & STRAPS

INSTALLING TANKS & STRAPS

1. Use the stainless steel 3/8" carriage bolts and 3/8" locknuts to install the tank trays to the tank bracket.
2. Insert a 3/8" x 1" carriage bolt into the tank tray so that the button head is facing the tank.
3. Place the tank on the tank tray. Verify that the recess in the bottom of the tank is seated into the tray.
4. Use the 3/8" x 1" carriage bolt and 3/8" hardware to install the tank support strap.
5. Loop the 3/8" x 8" J-bolt through the tank support strap and insert it through the drilled hole in the hopper body. Loop the J-bolt so that the hook is facing upward.

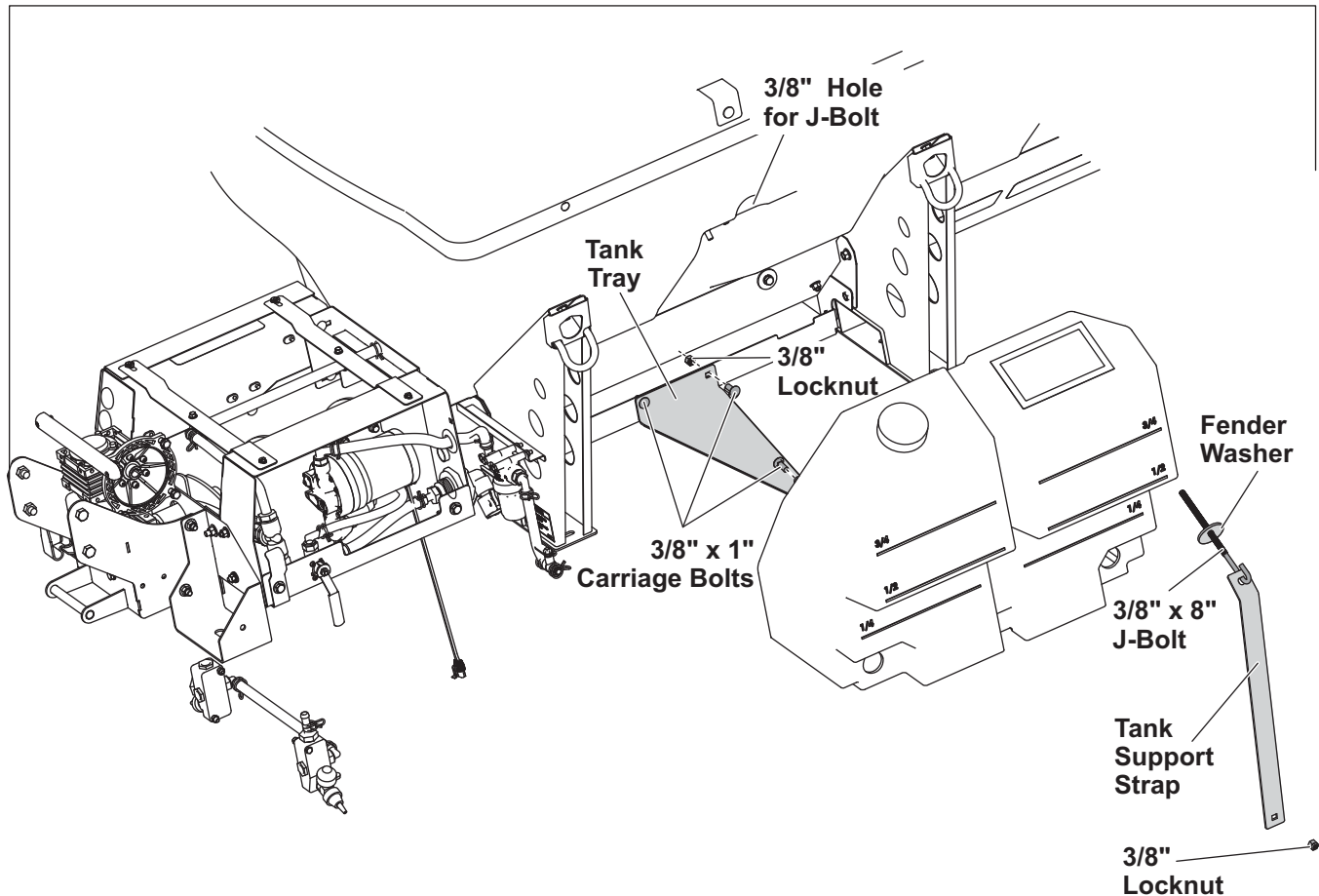
6. For the J-bolt, place one 2" fender washer and locknut on the inside of the hopper with the locknut facing toward the auger. Tighten the nut toward the hopper body.

NOTE: Do not use power tools to tighten the J-bolts; use hand tools only. Overtightening can cause galling of the stainless steel threads.

7. Cut the excess bolt length from the J-bolt if desired.

8. Repeat Steps 1–7 for the remaining tanks.

NOTE: If installing the 100 gallon expansion kit, install the brackets and tanks in the same fashion.



PLUMBING THE SYSTEM

Secure all connections using hose clamps.

- **1/2" Hoses:** Use spring-type clamps.
- **1" Hoses:** Use stainless band clamps.

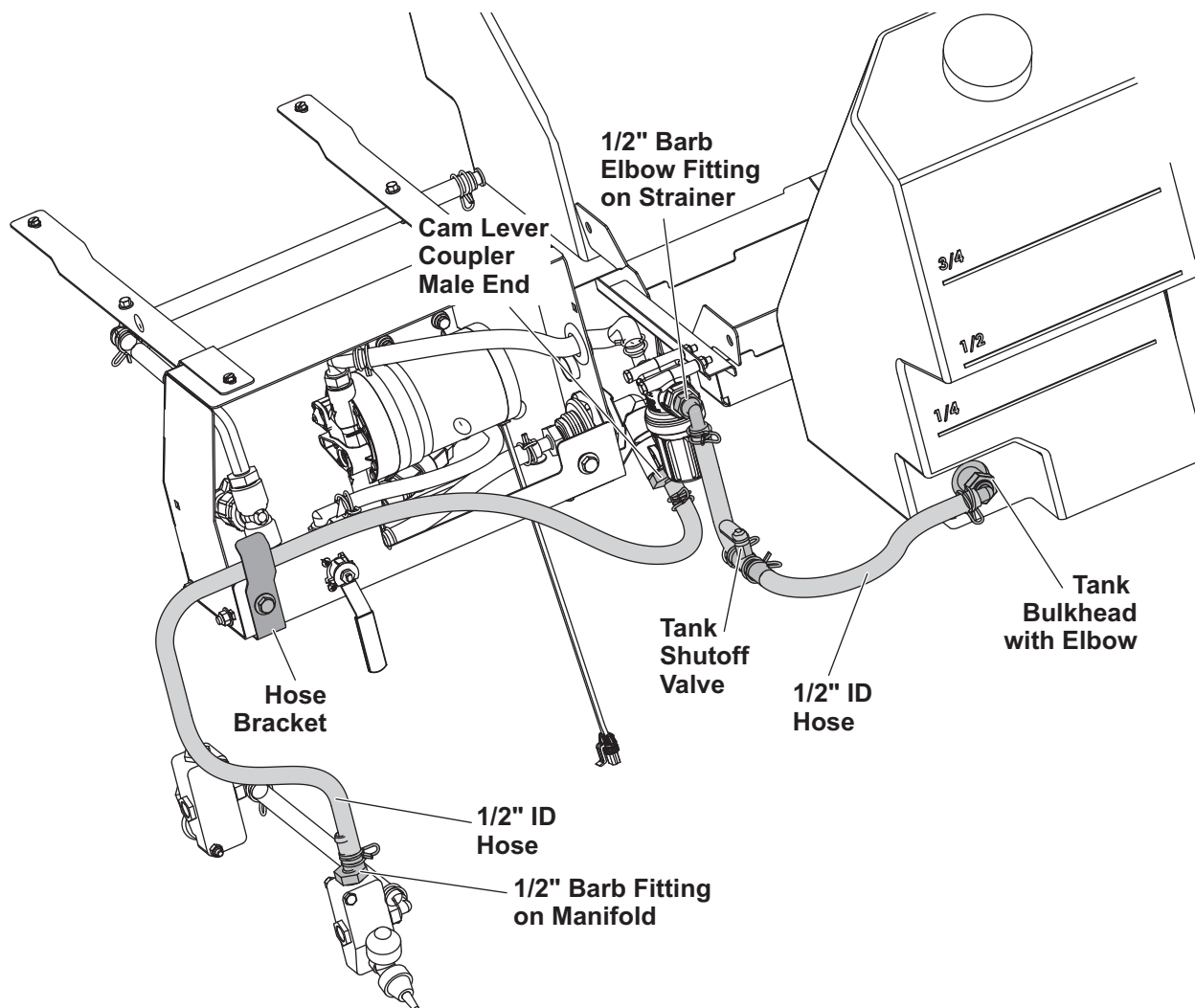
Use the provided pipe sealant on all NPT fittings.

PLUMBING THE OUTPUT SIDE

1. Connect a 1/2" hose to the 1/2" barb fitting on top of the passenger-side manifold. Secure with a clamp.
2. Cut the hose to a suitable length to reach the quick coupler on the pump box. Install the cam lever coupler (male end) and connect it to the pump box. Hose length must be sufficient to permit rotating the chute up to the dump position.

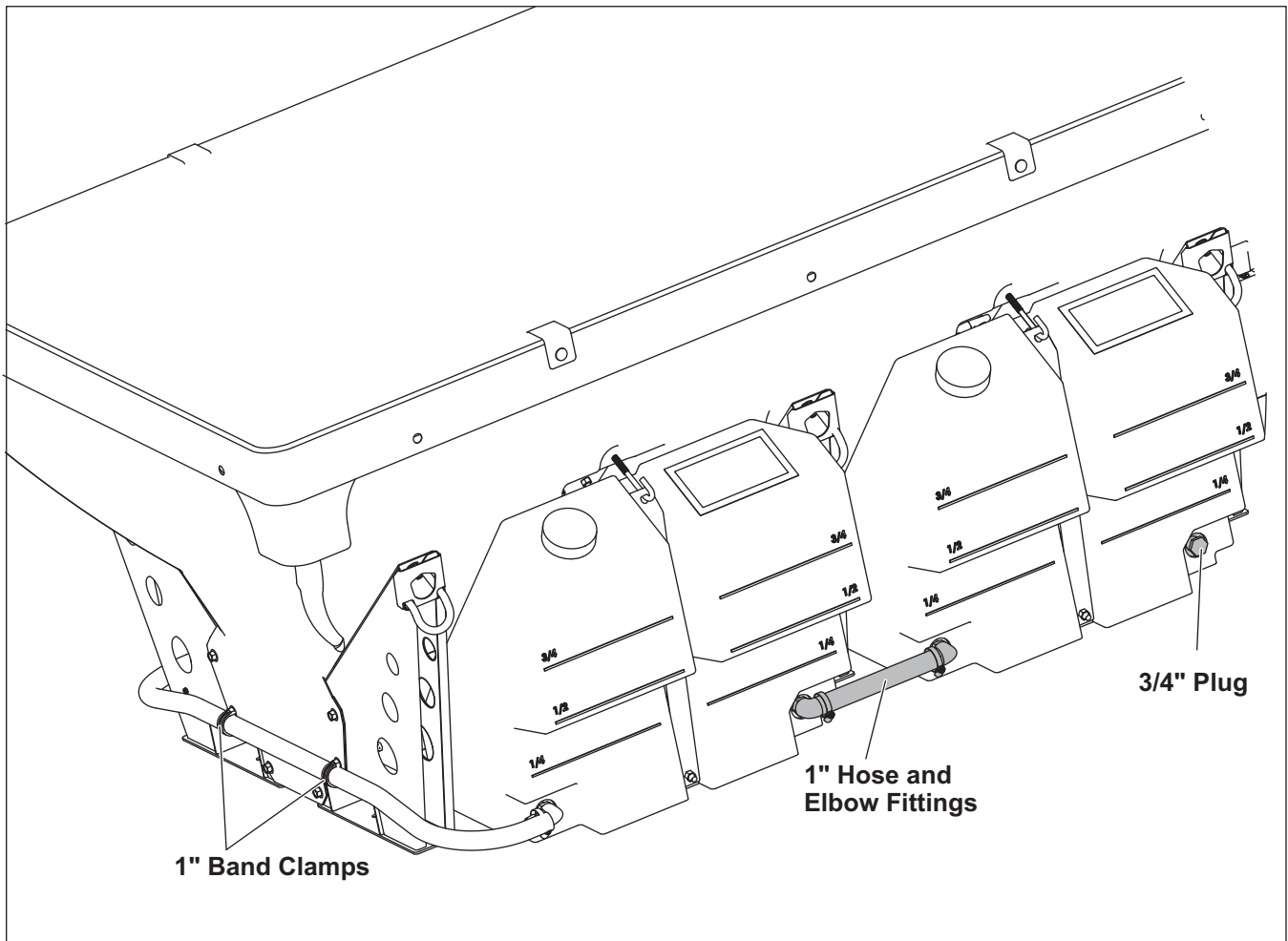
PLUMBING THE INPUT SIDE

1. Use the 1/2" ID hose to connect the strainer inlet elbow to the closest tank using a 1/2" barb elbow fitting.
2. Cut the hose and install the tank shutoff valve in a suitable location.



PLUMBING THE SYSTEM

3. To connect additional tanks, install a 1" barb elbow into the bulkhead and use a 1" hose to connect the tanks in series. Install the 3/4" plug in the final tank.
4. At the front of the spreader, remove two of the 3/8" flange head cap screws. Secure the 1" hose to the front plate using 1" band clamps and mounting the hose over the holes left by the screws. Place the removed screws back in place with the hose clamps on them.
5. Verify that all bulkhead fittings are tightened to 20 ft-lb.
6. Install the drive cover, routing the 1/2" hose to the manifold outside the cover and under the hose bracket.



WIRING & HARNESS INSTALLATION – POLY HOPPER

INSTALLING THE PUMP KIT

NOTE: The liquid accessory harness kit provides an ON/OFF switch to activate the liquid system from inside the vehicle.

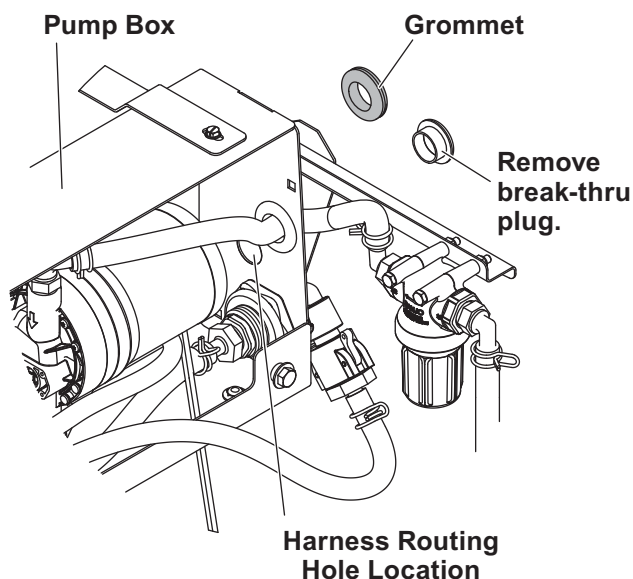
To properly wire the ON/OFF pump kit, follow these instructions and refer to the Liquid Kit Harness Wiring Diagram on page 16.

1. Install the ON/OFF pump kit.
2. Remove the chute from the spreader.

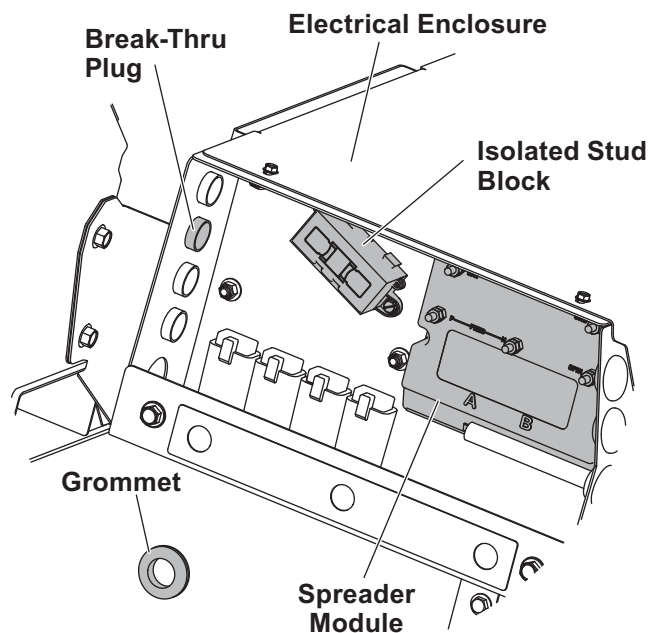
⚠ CAUTION

Before drilling any holes, check both sides of the material for any wires, fuel lines, fuel tanks, etc., that may be damaged by drilling.

3. Remove the cover from the hopper electrical enclosure located on the inside of the driver-side foot.
4. Route the liquid kit relay assembly harness through one of the unused break-thru plugs into the electrical enclosure. Use the hole that the break-thru plug was removed from. Add a hose grommet around that hole once the harness has been successfully routed. Use cable ties to attach the liquid kit relay assembly harness to the motor cable.



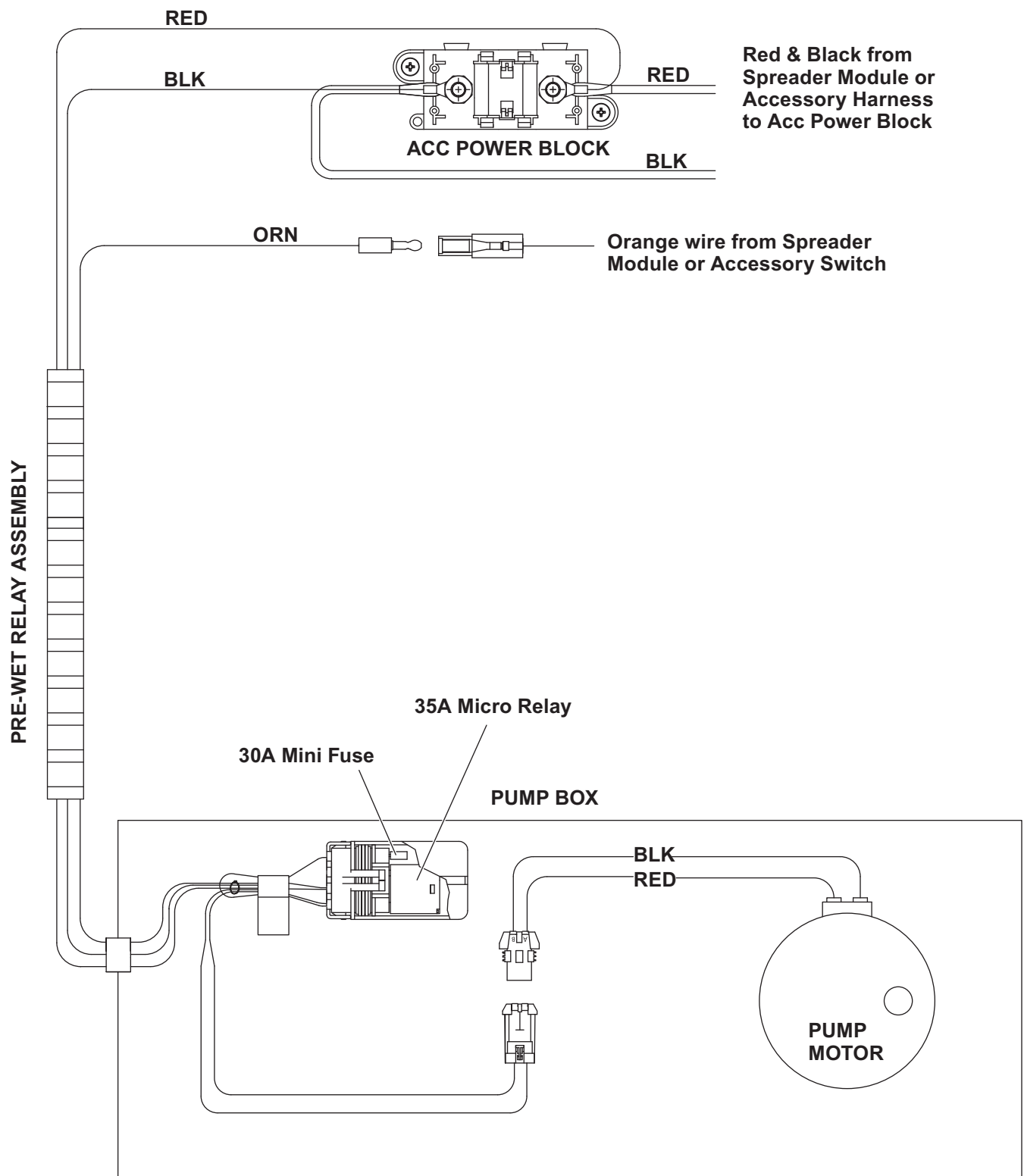
5. Route the harness along the hopper to the pump enclosure. On the pump enclosure, take out one of the break-thru plugs. Route the liquid kit relay assembly harness out of the pump box through the hole left by the break-thru plug. Seal the hole with a grommet. Route the harness to the electrical enclosure along the hopper.
6. Remove the cover from the isolated stud block.
7. Attach the ring terminal connected to the red wire of the liquid kit harness to the POSITIVE (+) terminal of the isolated stud block.
8. Attach the ring terminal connected to the black wire of the liquid kit harness to the NEGATIVE (-) terminal of the isolated stud block.
9. Connect the male bullet terminal of the liquid kit wire assembly harness to the orange wire coming from the spreader module.
10. Reinstall the covers onto the isolated stud block and electrical enclosure.



11. Secure all harnessing to prevent damage to the wires.

WIRING & HARNESS INSTALLATION – POLY HOPPER

LIQUID KIT HARNESS WIRING DIAGRAM



OPERATING INSTRUCTIONS

ADJUSTING THE FLOW

The following table shows the flow rates for the ON/OFF system. These values are approximate and can vary based on system configuration, age of components, brine composition, and other factors.

The flow of the system is controlled by a needle valve inside the pump box. Follow the instructions below to adjust the flow.

1. Remove the pump box cover.
2. Turn the white plastic handle to the left of the pump. Clockwise will reduce the flow and counter-clockwise will increase the flow.

NOTE: Do not overtighten the handle. Overtightening may damage the valve.

3. With the pump running, turn the valve clockwise until the flow stops. This is the "zero flow" point. **Do not** turn the valve further.
4. Mark the valve handle and body to indicate the "zero flow" point for future reference.
5. Turn the valve counter-clockwise a number of complete turns as indicated by the "ON/OFF Flow Rates" table below.

ON/OFF Flow Rates	
Number of Turns from Zero Flow Position	gal/min
0	0
1/4	0.22
1/2	0.46
3/4	0.66
1	0.80
2	1.13
3	1.40
3-1/2 +	1.60
No Valve	2.00

NOTE: If higher flow rates are required, bypass the needle valve to increase the flow. Refer to Bypassing the Needle Valve.

Bypassing the Needle Valve

1. Remove the needle valve and install the 1/2" hose barb directly into the street elbow.
2. Replace the hose with the 1/2" hose kit. The new flow rate will be approximately 2.63 gal/min.

MANUALLY CALIBRATING THE FLOW

To obtain a more precise measurement of the flow rate, follow the steps below.

1. Adjust the liquid system to the desired setting.
2. Disconnect the 1/2" hose connected to the spray hose and place it in a 5-gallon bucket.
3. Turn on the liquid system and time how long it takes (in seconds) for the system to fill the 5-gallon bucket.
4. Determine the flow in gal/min by dividing 300 by the results from Step 3 (in seconds).

Example:

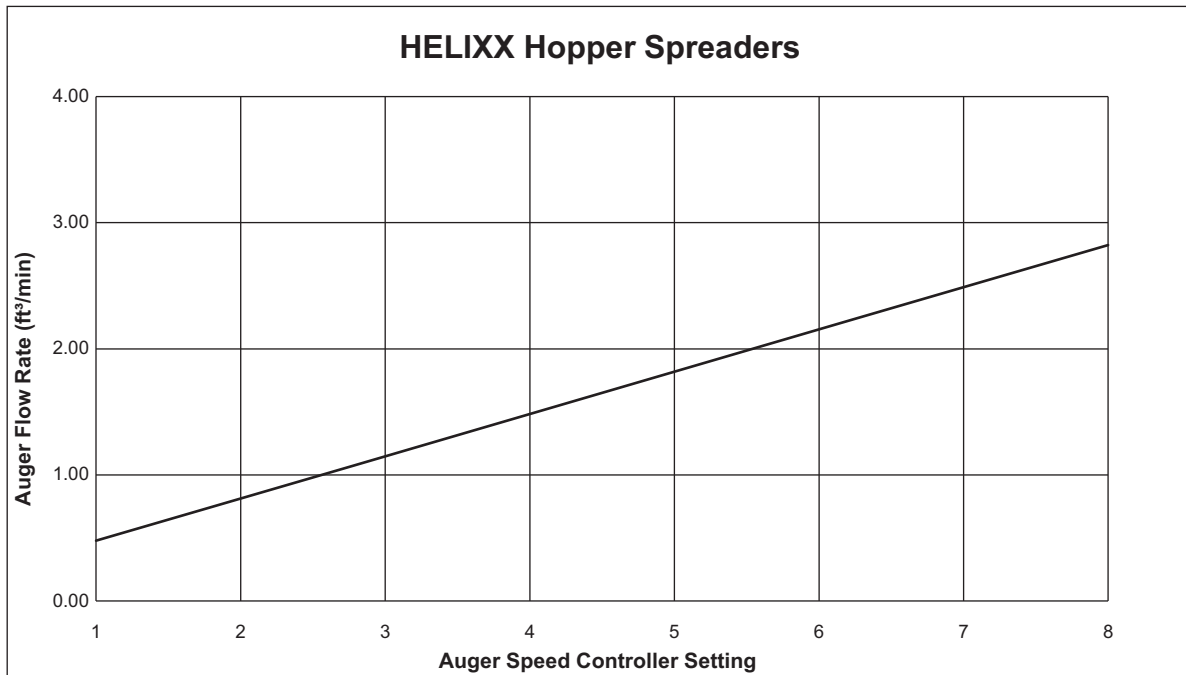
It took 165 seconds to fill the bucket.

$$\frac{300}{165} = 1.82 \text{ gal/min}$$

OPERATING INSTRUCTIONS

APPLICATION RATES

The following application chart shows the approximate material delivery rate for HELIXX™ hopper spreaders. Use these charts to determine the auger delivery rate of de-icing salt, which is based on the auger speed.



OPERATING INSTRUCTIONS

After the auger delivery rate has been determined, use the following table to determine the optimal flow rate for the liquid system.

NOTE: This value may vary depending on de-icing chemicals used and weather conditions. Consult the material manufacturer's recommended application rates. Gallons per ton refers to the amount of pre-wetting agent applied per ton of de-icing salt.

Optimal Flow Rate

Delivery Flow Rate (ft ³ /min)	Gallons per Ton			
	6	8	10	12
0.5	0.11	0.15	0.19	0.22
1	0.22	0.30	0.37	0.44
1.5	0.33	0.44	0.56	0.67
2	0.44	0.59	0.74	0.89
2.5	0.56	0.74	0.93	1.11
3	0.67	0.89	1.11	1.33
3.5	0.78	1.04	1.30	1.56
4	0.89	1.19	1.48	1.78
4.5	1.00	1.33	1.67	2.00
5	1.11	1.48	1.85	2.22
5.5	1.22	1.63	2.04	2.44
6	1.33	1.78	2.22	2.67
7	1.56	2.07	2.59	–
8	1.78	2.37	–	–
9	2.00	2.67	–	–
10	2.22	–	–	–
11	2.44	–	–	–
12	2.67	–	–	–

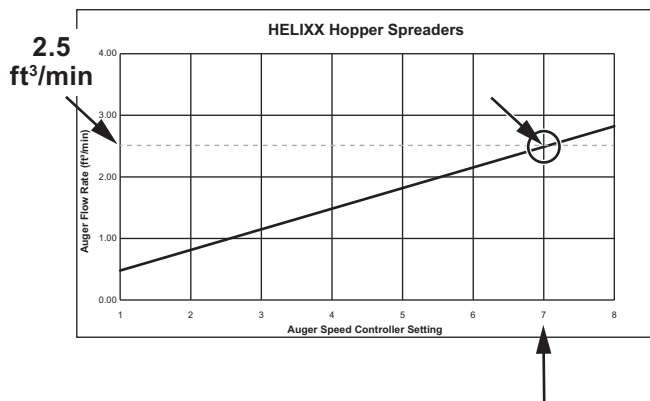
OPERATING INSTRUCTIONS

Applications Example:

A HELIXX™ poly hopper spreader is running at auger speed 7. The desired liquid rate is 8 gallons per ton.

Use the following procedure to determine the optimal flow rate in gal/min.

1. On the Application Rate chart on page 18, find the point on the graph where the 7 on the Auger Speed axis and the line intersect.
2. Follow from the point of intersection across to the Auger Flow Rate axis, as shown below. The delivery flow rate for this example is 2.5 ft³/min.



3. On the Optimal Flow Rate table on page 19, find the Delivery Flow Rate value (previously determined in Step 2 (2.5 ft³/min) and the Application Rate (8 gal/ton).

4. Find the point at which these two values meet on the table (see example below). This box shows the Optimal Flow Rate for this liquid application (0.74 gal/min).

Delivery Flow Rate (ft ³ /min)	Gallons per Ton			
	6	8	10	12
0.5	0.11	0.15	0.19	0.22
1	0.22	0.30	0.37	0.44
1.5	0.33	0.44	0.56	0.67
2	0.44	0.59	0.74	0.89
2.5	0.56	0.74	0.93	1.11
3	0.67	0.89	1.11	1.33
3.5	0.78	1.04	1.30	1.56
4	0.89	1.19	1.48	1.78
4.5	1.00	1.33	1.67	2.00

5. To achieve the desired liquid rate in this example, you would adjust the system to 0.74 gal/min. For details, refer to "Adjusting the Flow" on page 17.

MAINTENANCE & TROUBLESHOOTING

PERIODIC MAINTENANCE

- Wash unit after each use to prevent material build-up and corrosion.
- Use dielectric grease on all electrical connections to prevent corrosion each time power or signal plugs are disconnected.
- Inspect unit for damage, such as broken, worn, or bent parts.
- Inspect all tubing, hoses, and harnesses for cracks and leaks.
- Clean the brine filter as needed. Close the shut-off valve and access the filter by unscrewing the top cap, then unscrewing the filter cover.
- Retighten bolts, screws, and other connections after first use and as needed.

CLEANING

- Clean the unit as desired. When pressure washing motor enclosure area, keep spray at least 36" away from motor enclosures.
- Use caution if you are flushing the pumping system with water as it will accumulate in the valves and can cause damage if the water inside freezes. Use antifreeze if unit is to be stored in freezing temperatures.

END OF SEASON AND STORAGE

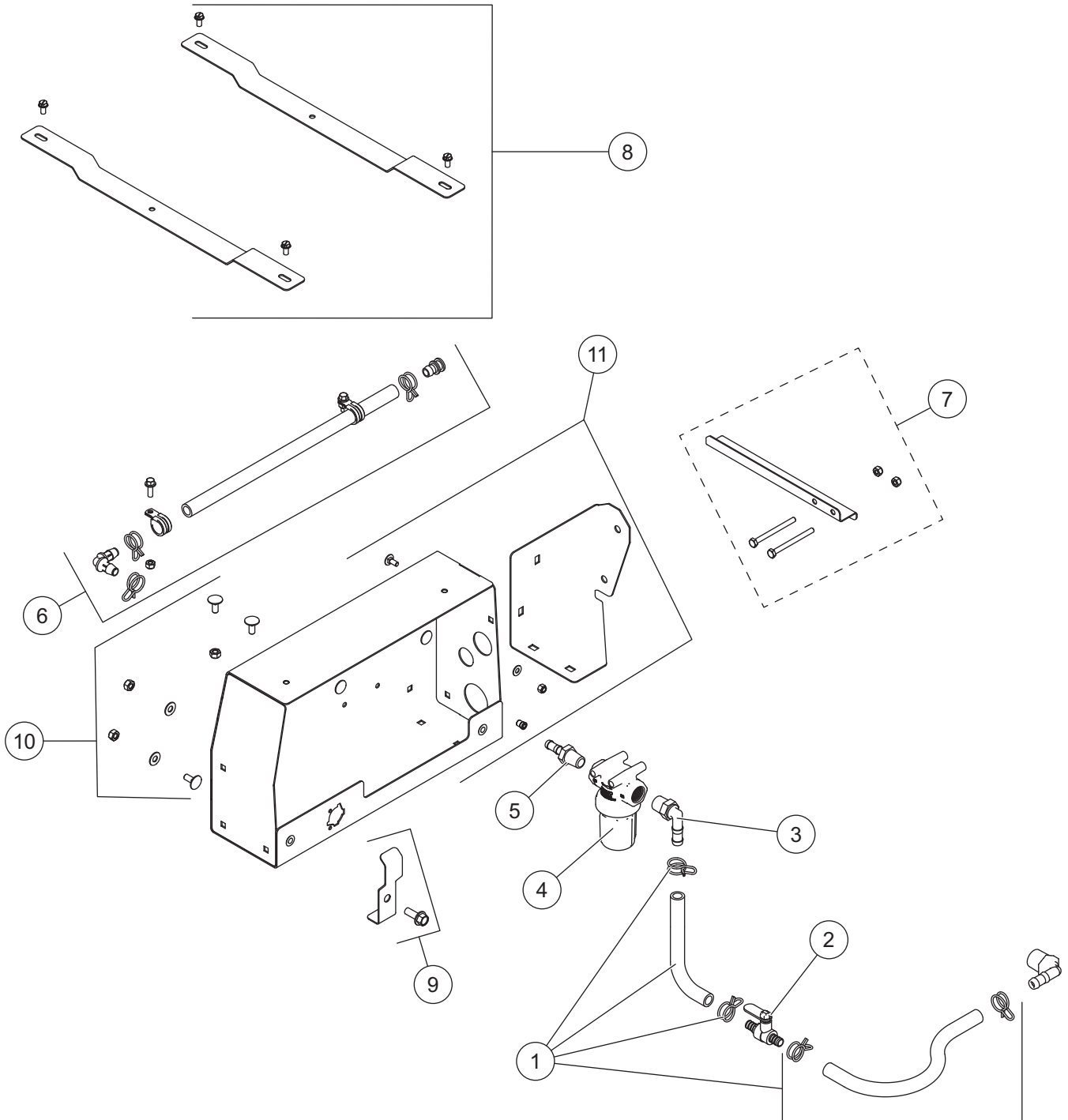
- Before long periods of storage, flush out the tanks and pumping system to remove salt build-up and prevent corrosion.
- Do not leave unused material in the unit for a prolonged period of time.

TROUBLESHOOTING GUIDE

Problem	Possible Cause	Suggested Solution
Pump is not operating.	1. Loose electrical connection.	1. Check all electrical connections for corrosion.
	2. Blown fuse.	2. Replace the fuse.
	3. Pump seized.	3. Replace the pump.
Control shut down.	1. Loose electrical connection.	1. Check all electrical connections for corrosion.
	2. Electrical short.	2. Check for bare or burned wires.
	3. Control failure.	3. Replace the control.
	4. Blown fuse.	4. Replace the fuse.
Material being spread is not wet.	1. Liquid system is not running.	1. See Troubleshooting – Pump is not operating.
	2. Spray hose is misaligned.	2. See "Mounting the Spray Bracket" on page 9.
	3. Flow rate is set too low.	3. See "Adjusting the Flow" on page 17.
Spray is uneven.	1. Spray hose is clogged.	1. Clean spray hose with fresh water.
	2. Spray hose is damaged.	2. Replace the spray hose.
Pump is leaking.	1. O-ring fittings are loose.	1. Verify that O-ring fittings are fully installed.
	2. O-rings are damaged or worn.	2. Replace the O-rings.
	3. Pump housing is damaged.	3. Replace the pump.

PARTS LIST

PUMP BOX COMPONENTS

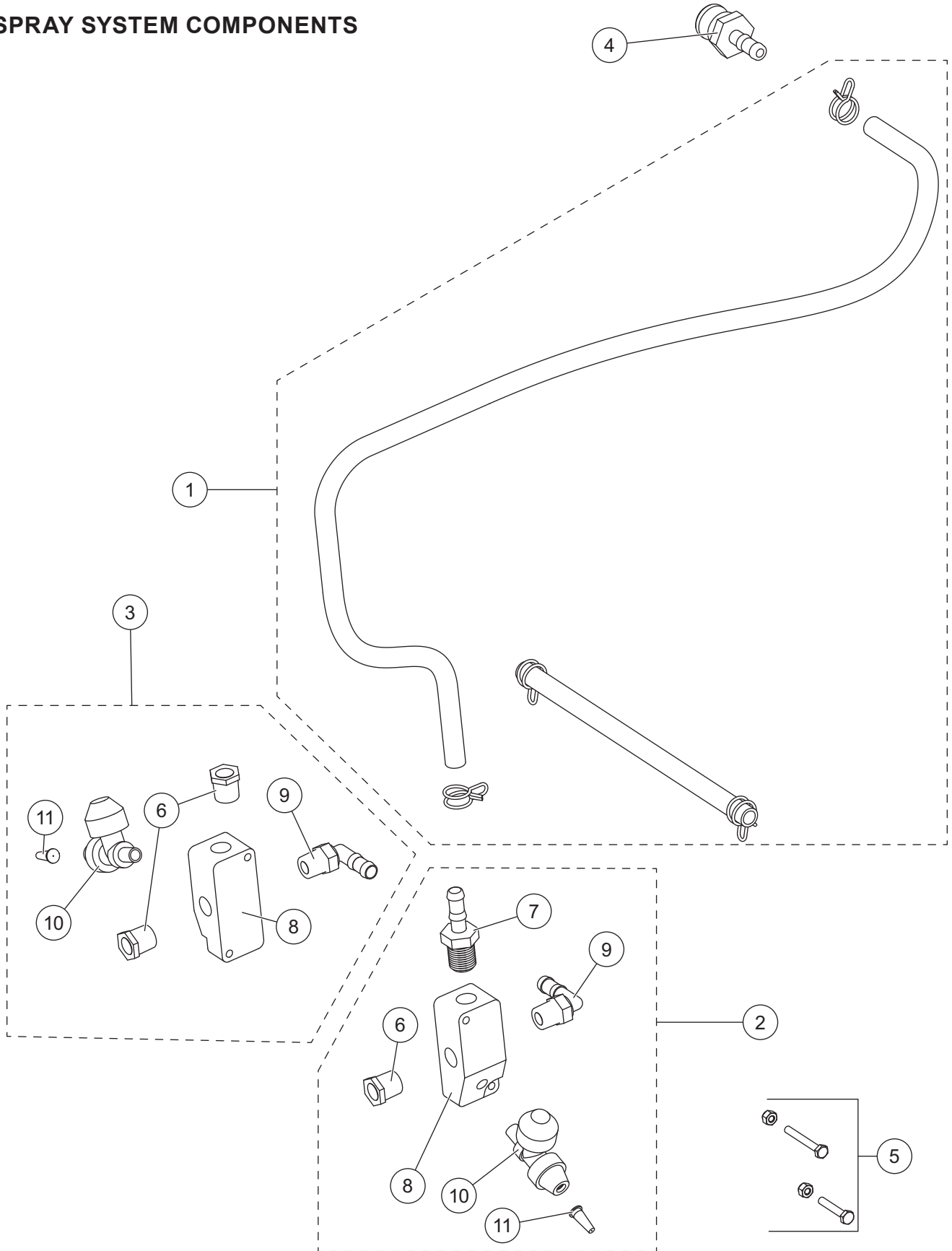


PARTS LIST

Pump Box Components							
Item	Part	Qty	Description	Item	Part	Qty	Description
1	76406	1	1/2 x 48 Hose Kit	7	74607	1	Strainer Mount Kit
2	76309	1	Ball Valve, 1/2 Barb Ends	8	74608	1	Spray Bar Mount Kit
3	D5329	1	1/2 Hose Barb to Male Thread, 90°	9	74621	1	Hose Bracket Kit
4	T20105	1	1/2 x 1/2 Line Strainer	10	74609	1	Pump Box Mount Kit
5	T20119	1	1/2 M NPT to 1/2 Barb Fitting	11	74612	1	Pump Box Enclosure
6	74611	1	Liquid Spray Hose Kit	ns		2	Rubber Grommet
Item 1				76406 1/2 x 48 Hose Kit			
		1	1/2 x 48 PVC Clear Hose			4	1/2 Double Spring Clamp
Item 6				74611 Liquid Spray Hose Kit			
		1	Slit Rubber Tubing, 15-1/2			2	1/4-20 x 3/4 Serrated Flange Hex Cap Screw SS
		3	Double Spring 1/2 Clamp			1	1/2 Barb Plug
		2	7/8 ID Loop Clamp SS			1	1/2 Elbow Barb 90°
		2	1/4-20 Locknut				
Item 7				74607 Strainer Mount Kit			
		1	Strainer Bracket			2	1/4-20 Locknut SS
		2	1/4-20 x 3 Hex Cap Screw				
Item 8				74608 Spray Bar Mount Kit			
		2	Pre-Wet Bracket			4	1/4-20 x 1/2 Serrated Flange Hex Cap Screw SS
Item 9				74621 Hose Bracket Kit			
		1	Hose Bracket			1	3/8-16 x 1 Flanged Hex Cap Screw
Item 10				74609 Pump Box Mount Kit			
		6	5/16-18 x 3/4 Carriage Bolt SS			6	5/16 Locknut SS
		6	5/16 Flat Washer SS			2	3/8-16 x 1 Flange Cap Screw SS
Item 11				74612 Pump Box Enclosure			
		1	Enclosure			4	5/16-18 x 3/4 Carriage Bolt SS
		1	Enclosure Mount Bracket			4	5/16-18 Hex Locknut GB
		1	3/8-16 Hex Rivnut			4	5/16 Flat Washer Type A Narrow
ns = not shown		G = Grade		SS = Stainless Steel		M = Male	

PARTS LIST

SPRAY SYSTEM COMPONENTS

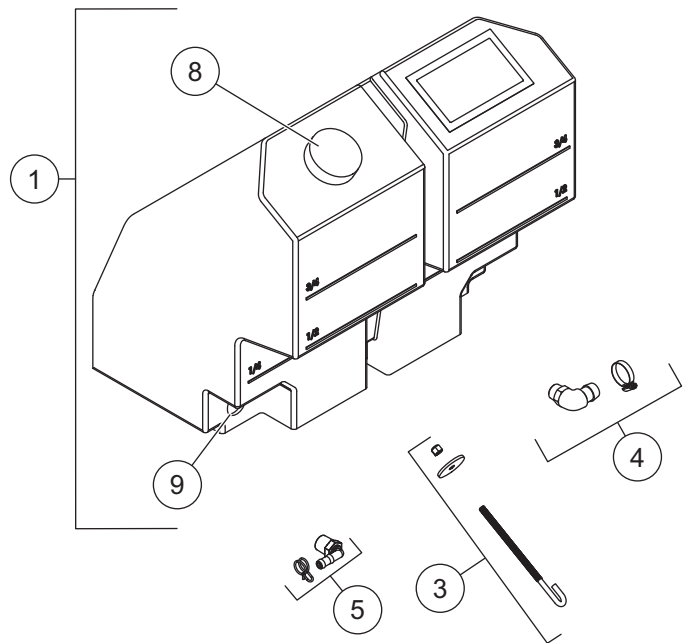
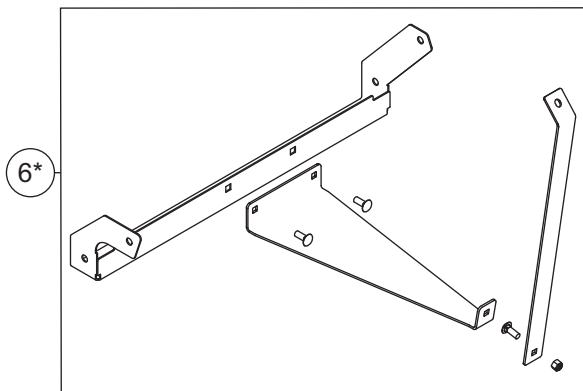
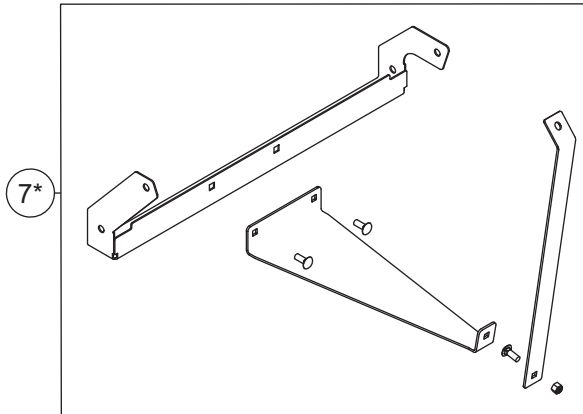
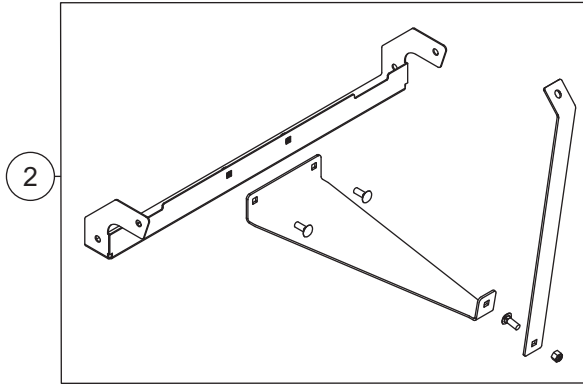


PARTS LIST

Spray System Components							
Item	Part	Qty	Description	Item	Part	Qty	Description
1	76406	1	1/2 x 48 Hose Kit	4	76407	1	Cam Lever Coupling, Male End
2	74617	1	Nozzle Manifold Kit – PS	5	74616	2	Manifold Mount Kit
3	74618	1	Nozzle Manifold Kit – DS				
Item 1				76406 1/2 x 48 Hose Kit			
		1	1/2 x 48 PVC Clear Hose			4	1/2 Double Spring Clamp
Item 2				74617 Nozzle Manifold Kit – PS			
6	11260	1	1/2 Pipe Plug	9		1	1/2 Hose Barb to Male Thread, 90°
7	76426	1	1/2 M NPT to 1/2 Barb Fitting	10	D5241	1	Check Valve
8	11971	1	Manifold	11	D5215	1	Nozzle
Item 3				74618 Nozzle Manifold Kit – DS			
6	11260	2	1/2 Pipe Plug	10	D5241	1	Check Valve
8	11971	1	Manifold	11	D5215	1	Nozzle
9		1	1/2 Hose Barb to Male Thread, 90°				
Item 5				74616 Manifold Mount Kit			
		1	1/4-20 x 2 Hex Cap Screw			2	1/4-20 Locknut SS
		1	1/4-20 x 1-1/2 Hex Cap Screw				
			SS = Stainless Steel				M = Male

PARTS LIST

TANK COMPONENTS



PARTS LIST

Tank Components							
Item	Part	Qty	Description	Item	Part	Qty	Description
1	76293	1	25 Gallon Tank	5	76423	1	Tank to 1/2 Hose Kit
	76296	1	50 Gallon Tank	6*	76720	1	Tank Mount Connector Kit, 25 gal – DS
2	74623	1	Strap Kit, 25 Gallon	7*	76721	1	Tank Mount Connector Kit, 25 gal – PS
	74624	1	Strap Kit, 50 Gallon	ns	68584	1	Label – Warning/Caution, Spreaders
3	76421	1	J-Bolt Kit	ns	76424	1	1" Hose Kit – 15'
4	76422	1	Add-a-Tank Fitting Kit				
Item 1 76293 (25 gallon) / 76296 (50 gallon) Tank							
		1	Tank	9		2	3/4 Bulkhead Fitting
8	76430	1	Liquid Tank Cap				
Item 2 74623 (25 gallon) / 74624 (50 gallon) Strap Kit							
		1	Tray SS			1	Tank Mount Bracket
		1	Support Strap SS			3	3/8-16 x 1 Carriage Bolt
		4	3/8-16 x 1 Flange Hex Cap Screw SS			7	3/8-16 Hex Locknut, Waxed
		2	3/8-16 x 4-1/2 Hex Cap Screw				
Item 3 76421 J-Bolt Kit							
		1	3/8-16 x 8 J-Bolt SS			1	3/8-16 Locknut, Waxed
		1	3/8 x 2 Fender Washer SS				
Item 4 76422 Add-a-Tank Fitting Kit							
		1	1 x 3/4 M NPT Barb Elbow			1	11/16 – 1-1/2 Band Clamp
	76431	1	3/4 Poly Pipe Plug				
Item 5 76423 Tank to 1/2 Hose Kit							
		1	3/4 M NPT x 1/2 Hose Barb 90°			1	Double Spring 1/2 Clamp
Item 6* 76720 Tank Mount Connector Kit, 25 gal – DS							
		1	Tray SS			3	3/8-16 x 1 Carriage Bolt
		1	Support Strap SS			3	3/8-16 Hex Locknut, Waxed
		2	3/8-16 x 1 Flange Hex Cap Screw SS			2	3/8-16 x 4-1/2 Hex Cap Screw
		1	Tank Mount Connector, 25 gal – DS				
Item 7* 76721 Tank Mount Connector Kit, 25 gal – PS							
		1	Tray SS			3	3/8-16 x 1 Carriage Bolt
		1	Support Strap SS			3	3/8-16 Locknut, Waxed
		2	3/8-16 x 1 Flange Hex Cap Screw SS			2	3/8-16 x 4-1/2 Hex Cap Screw
		1	Tank Mount Connector, 25 gal – PS				
76424 1" Hose Kit – 15'							
		1	Hose, 1" ID PVC Clear, 15'			5	#10 x 3/4 Hex Washer-Head Driller SS
		2	11/16 – 1-1/2 Band Clamp			3	Loop Clamp, 1-1/4 ID SS
		2	1-1/4 Loop Clamp, Vinyl Coated				

SS = Stainless Steel

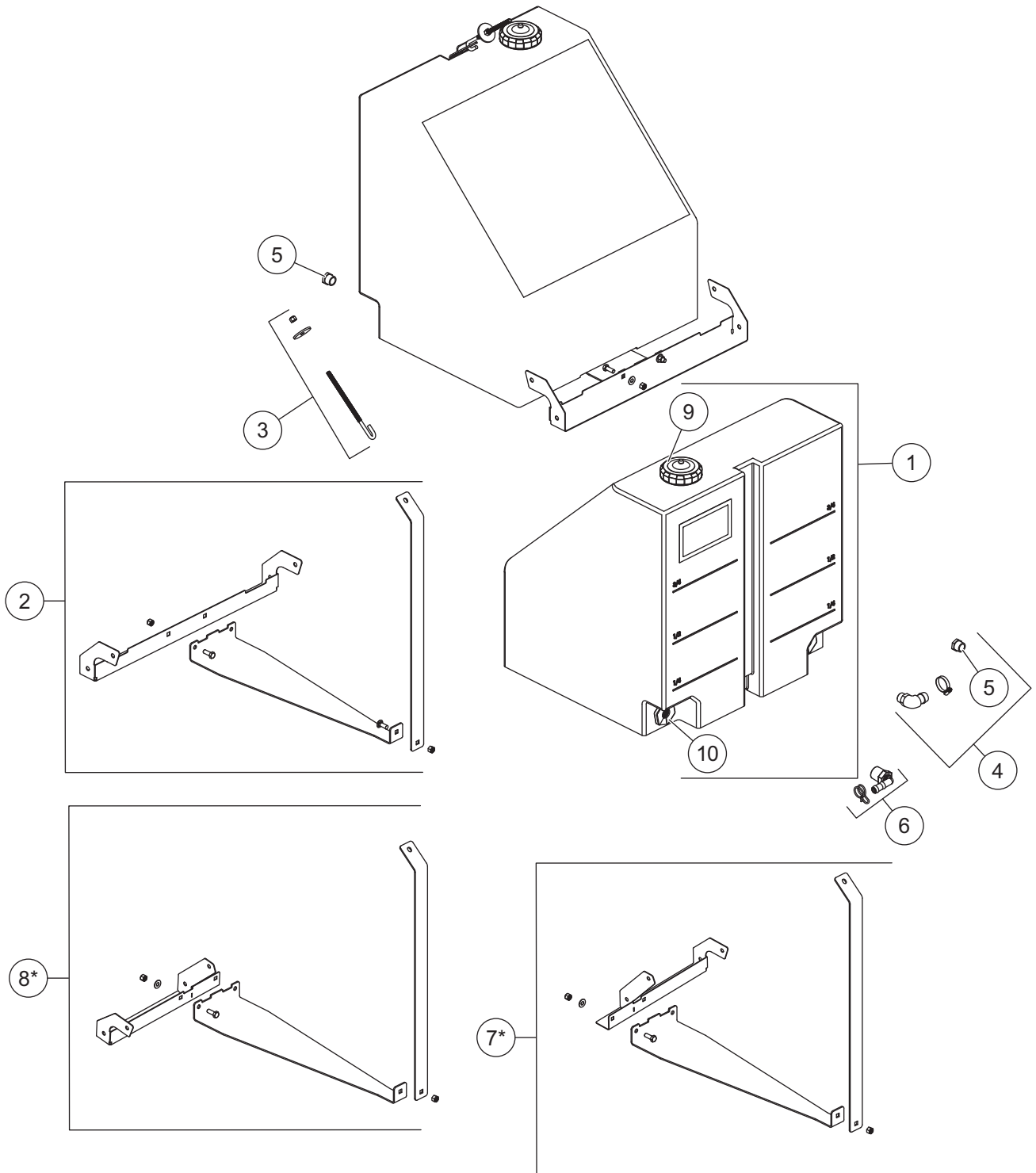
ns = not shown

M = Male

* For steel hopper spreaders only.

PARTS LIST

100 GALLON EXPANSION TANK COMPONENTS



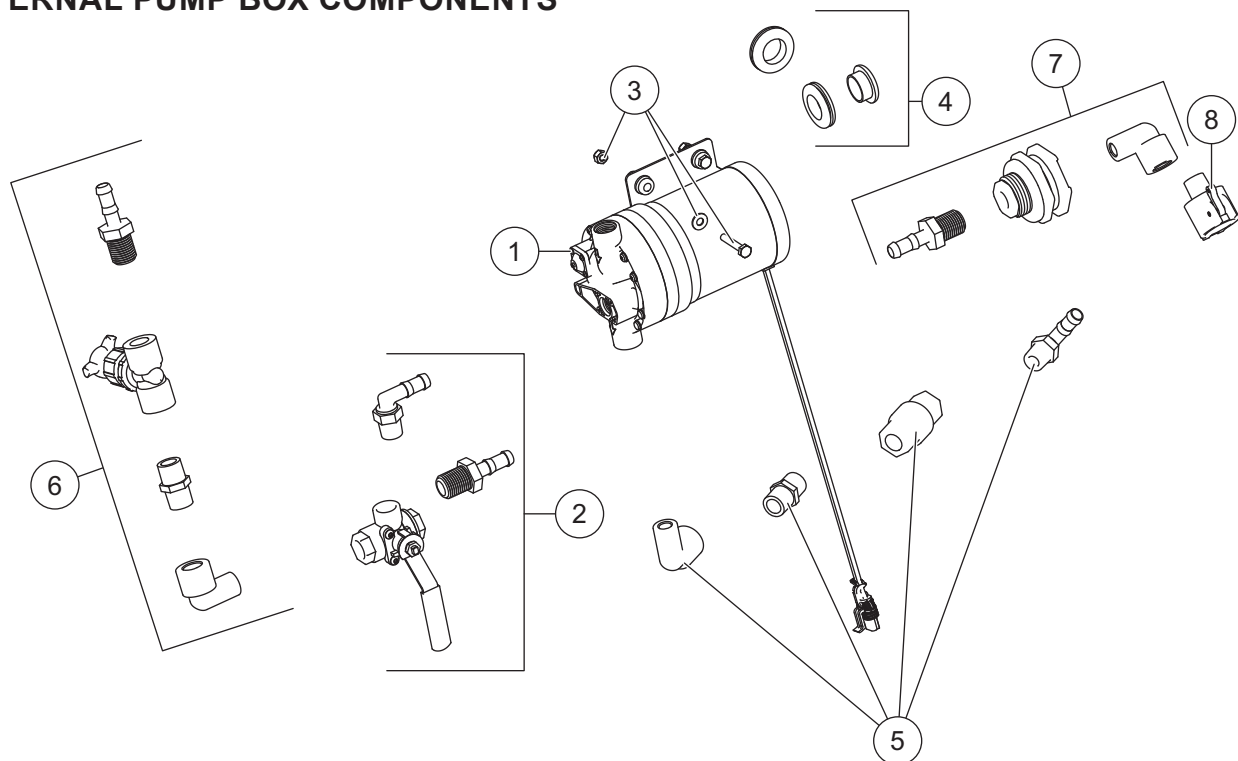
PARTS LIST

100 Gallon Expansion Tank Components							
Item	Part	Qty	Description	Item	Part	Qty	Description
1	76296	2	50 Gallon Tank	6	76423	1	Tank to 1/2 Hose Kit
2	74624	2	Strap Kit, 50 gal	7*	76723	1	Tank Mount Connector Kit, 50 gal – PS
3	76421	2	J-Bolt Kit	8*	76724	1	Tank Mount Connector Kit, 50 gal – DS
4	76422	1	Add-a-Tank Fitting Kit	ns	68584	1	Label – Warning/Caution, Spreaders
5	76431	1	3/4 M NPT Plug	ns	76424	1	1" Hose Kit – 15'
Item 1				76296 50 Gallon Tank			
		1	Tank	10		2	3/4 Bulkhead Fitting
9	76430	1	Liquid Tank Cap				
Item 2				74624 Strap Kit, 50 gal			
		1	Tray SS			1	Tank Mount Bracket
		1	Support Strap, 50 Gallonm SS			3	3/8-16 x 1 Carriage Bolt
		4	3/8-16 x 1 Flange Hex Cap Screw SS			7	3/8-16 Locknut, Waxed
		2	3/8-16 x 4-1/2 Hex Cap Screw				
Item 3				76421 J-Bolt Kit			
		1	3/8-16 x 8 J-Bolt SS			1	3/8-16 Locknut, Waxed
		1	3/8 x 2 Fender Washer SS				
Item 4				76422 Add-a-Tank Fitting Kit			
		1	1 x 3/4 M NPT Barb Elbow			1	1 1/16–1-1/2 Band Clamp
5	76431	1	3/4 M NPT Plug				
Item 6				76423 Tank to 1/2 Hose Kit			
		1	3/4 M NPT x 1/2 Hose Barb 90°			1	Double Spring 1/2 Clamp
Item 7*				76723 Tank Mount Connector Kit, 50 gal – PS			
		1	Tray SS			3	3/8-16 x 1 Carriage Bolt
		1	Support Strap, 50 Gallon SS			3	3/8-16 Hex Locknut, Waxed
		2	3/8-16 x 1 Flange Hex Cap Screw SS			2	3/8-16 x 4-1/2 Hex Cap Screw
		1	Tank Mount Connector, 50 gal – PS				
Item 8*				76724 Tank Mount Connector Kit, 50 gal – DS			
		1	Tray SS			3	3/8-16 x 1 Carriage Bolt
		1	Support Strap, 50 Gallon SS			3	3/8-16 Hex Locknut, Waxed
		2	3/8-16 x 1 Flange Hex Cap Screw SS			2	3/8-16 x 4-1/2 Hex Cap Screw
		1	Tank Mount Connector, 50 gal – DS				
				76424 1" Hose Kit – 15'			
		1	Hose, 1" ID PVC Clear, 15'			5	#10 x 3/4 Hex Washer-Head Driller SS
		2	1 1/16 – 1-1/2 Band Clamp			3	Loop Clamp, 1-1/4 ID SS
		2	1-1/4 Loop Clamp, Vinyl Coated				
SS = Stainless Steel				ns = not shown		M = Male	

* For steel hopper spreaders only.

PARTS LIST

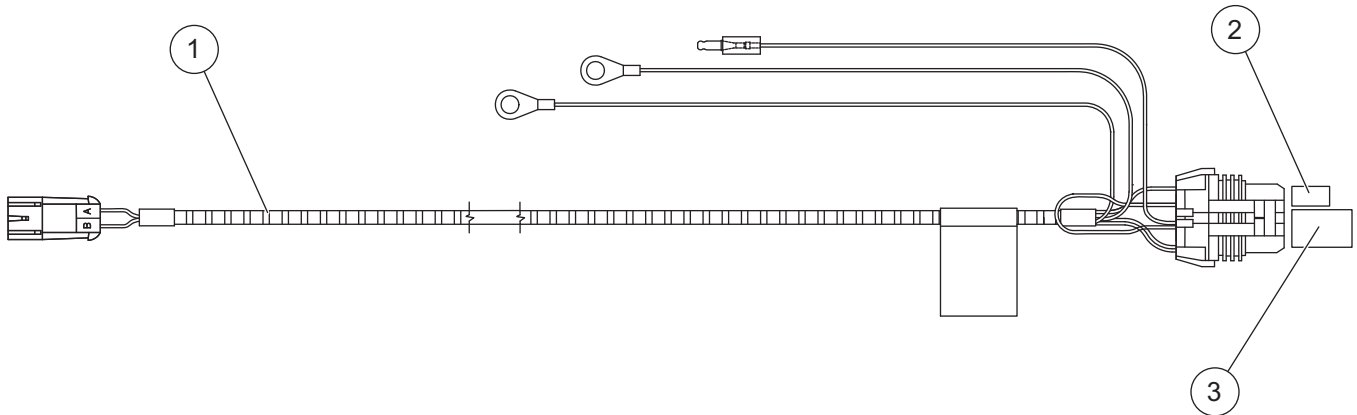
INTERNAL PUMP BOX COMPONENTS



Pump Box Components							
Item	Part	Qty	Description	Item	Part	Qty	Description
1	11974	1	Pump, 7 gal/min, 60 psi Bypass	6	74613	1	1/2 Needle Valve Kit
2	74614	1	Valve Kit, 3-Way	7	76417	1	Pump Box Bulkhead Kit
3	74622	1	Pump Mounting Hardware Kit	8	76428	1	Cam Lever Coupling, Female End
4	74619	1	Grommet/Plug Kit	9	76312	1	3/4 QA to 1/2 Barb Elbow
5	74615	1	Check Valve Kit				
Item 2		74614 Valve Kit, 3-Way					
		1	1/2 Street Elbow			1	1/2 M NPT to 1/2 Barb Elbow
		1	1/2 M NPT to 1/2 Barb	ns		2	#10-24 x 5/16 Flange Hex Cap Screw
		1	1/2 Valve, 3-Way				
Item 3		74622 Pump Mounting Hardware Kit					
		4	1/4-20 x 1-1/2 Hex Cap Screw			4	1/4-20 Locknut
		4	1/4 Flat Washer SS				
Item 4		74619 Grommet/Plug Kit					
		3	Hose Grommet			1	Break-Thru Plug
Item 5		74615 Check Valve Kit					
		1	1/2 Street Elbow, 90°			1	1/2 Check Valve
		1	1/2 Short Nipple			1	1/2 M NPT to 1/2 Barb Elbow
Item 6		74613 Needle Valve Kit					
		1	1/2 Needle Valve			1	1/2 M NPT to 1/2 Barb
		1	1/2 Short Nipple			1	1/2 Street Elbow, 90°
Item 7		76417 Pump Box Bulkhead Kit					
		1	1/2 Street Elbow, 90°			1	1/2 NPT F Bulkhead Fitting
		1	1/2 Short Nipple			1	1/2 M NPT to 1/2 Barb Elbow
		ns = not shown	SS = Stainless Steel			F = Female	M = Male

PARTS LIST

ELECTRICAL COMPONENTS



Electrical Components							
Item	Part	Qty	Description	Item	Part	Qty	Description
1	72523	1	Harness, Relay	3		1	35A Fuse, Micro Relay
2		1	30A Fuse, Mini ATM Style, Green				

Copyright © 2020 Douglas Dynamics, LLC. All rights reserved. This material may not be reproduced or copied, in whole or in part, in any printed, mechanical, electronic, film, or other distribution and storage media, without the written consent of the company. Authorization to photocopy items for internal or personal use by the company's outlets or liquid system owner is granted.

The company reserves the right under its product improvement policy to change construction or design details and furnish equipment when so altered without reference to illustrations or specifications used. This equipment manufacturer or the vehicle manufacturer may require or recommend optional equipment for liquid systems. Do not exceed vehicle ratings with a liquid system. The company offers a limited warranty for all liquid systems and accessories. See separately printed page for this important information. The following is an unregistered (™) trademark of Douglas Dynamics, LLC: HELIXX™.

Printed in U.S.A.