

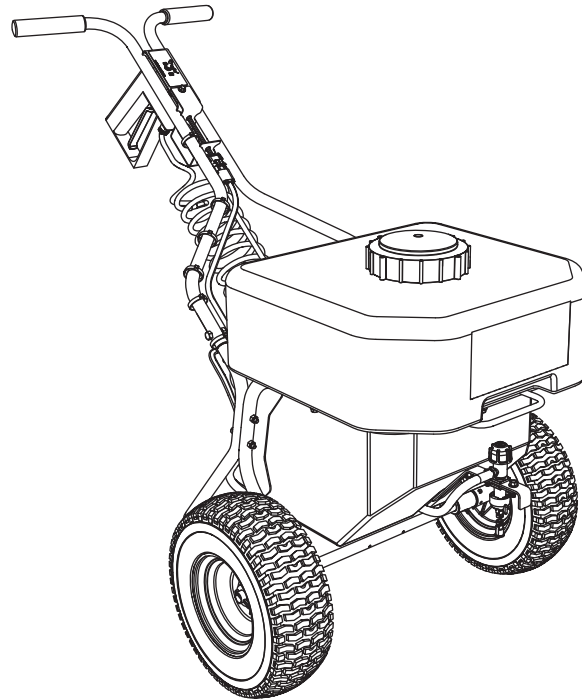
April 15, 2019
Lit. No. 74420, Rev. 01



Walk-Behind Sprayer

SL-80 & SL-80SS

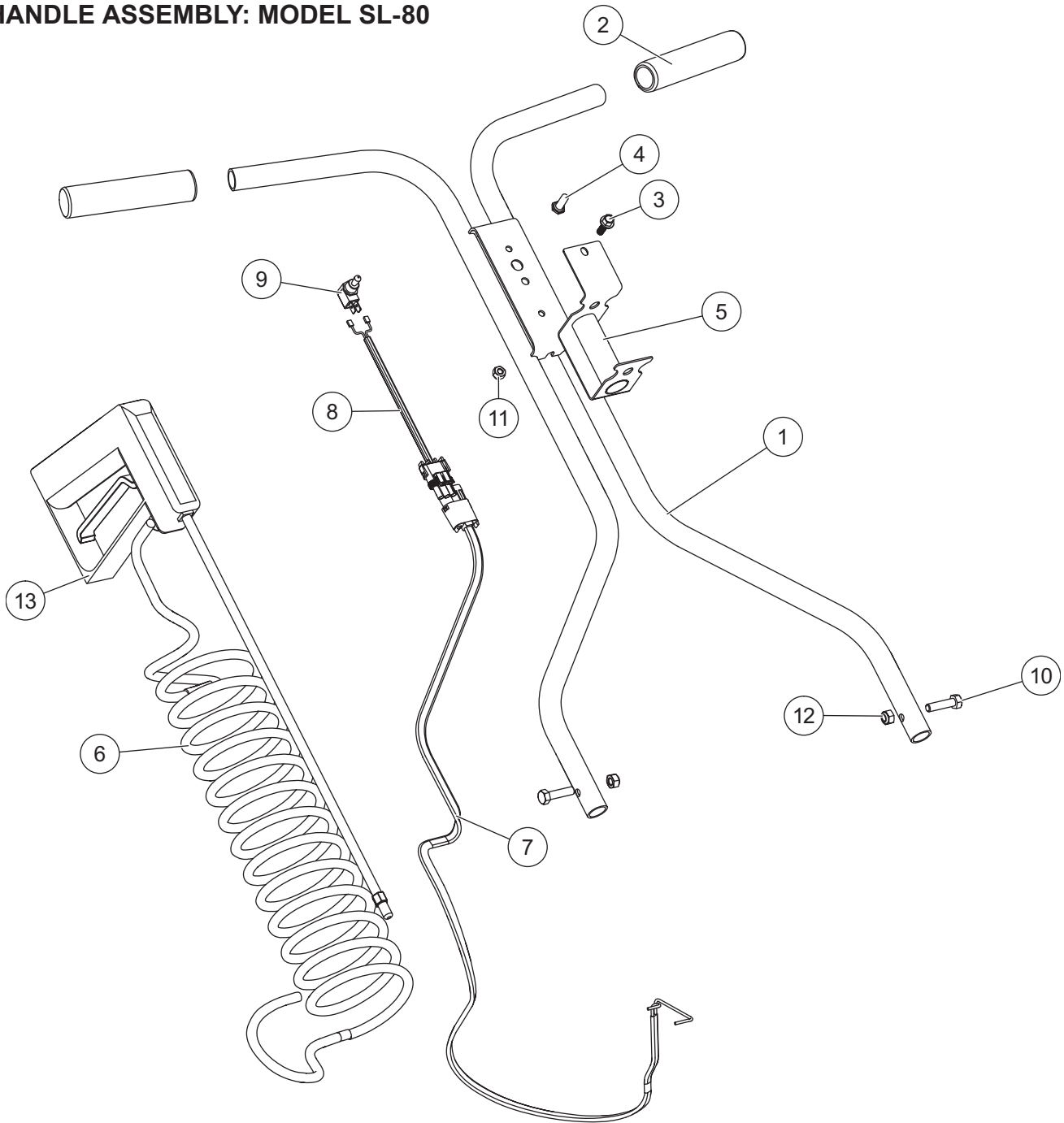
Parts List



This document is for SnowEx® SL-80 and SL-80SS walk-behind sprayers beginning with serial numbers 170301 and higher.

SL-80 WALK-BEHIND SPRAYER PARTS LIST

HANDLE ASSEMBLY: MODEL SL-80

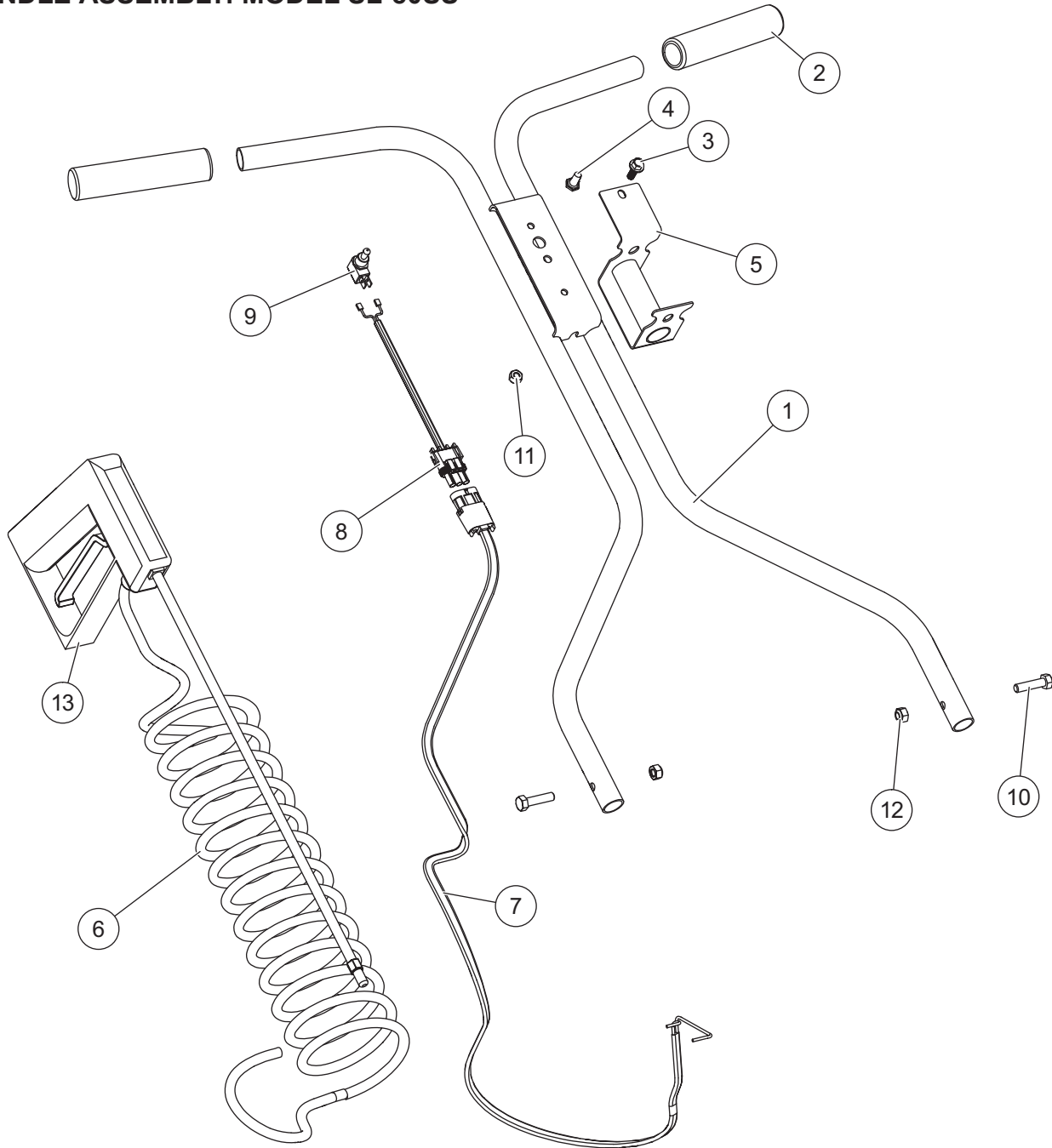


Handle Assembly – SL-80

| Item | Part | Qty | Description | Item | Part | Qty | Description |
|------|-------|-----|-----------------------------------|------|-------|-----|-------------------------------|
| 1 | 50912 | 1 | Handle | 8 | 11253 | 1 | Switch Harness |
| 2 | 50917 | 2 | Handle Grip | 9 | 11254 | 1 | Switch |
| 3 | 51031 | 1 | 1/4-20 x 3/4 Serrated Flange Bolt | 10 | 11257 | 2 | 5/16-18 x 1-1/4 Hex Cap Screw |
| 4 | 11236 | 1 | Rubber Switch Boot | 11 | 50970 | 1 | 1/4-20 Locknut |
| 5 | 11239 | 1 | Wand Bracket | 12 | 50971 | 2 | 5/16-18 Locknut |
| 6 | 11246 | 1 | Coil Hose | 13 | 11261 | 1 | Spot Spray Wand |
| 7 | 11252 | 1 | Pump Harness | | | | |

SL-80SS WALK-BEHIND SPRAYER PARTS LIST

HANDLE ASSEMBLY: MODEL SL-80SS

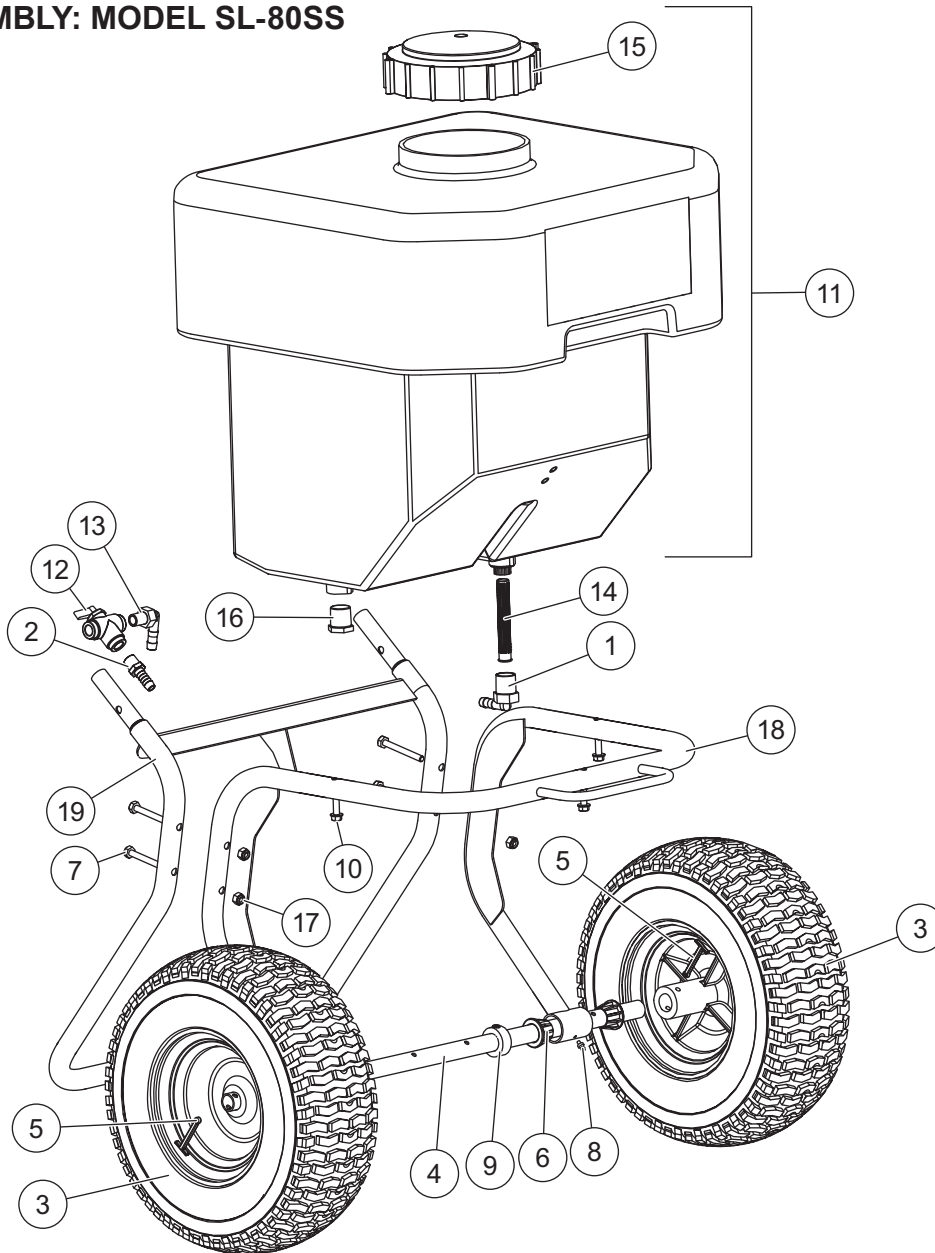


Handle Assembly – SL-80SS

| Item | Part | Qty | Description | Item | Part | Qty | Description |
|------|--------|-----|--|------|-------|-----|-------------------------------|
| 1 | T30153 | 1 | Handle | 8 | 11253 | 1 | Switch Harness |
| 2 | 50917 | 2 | Handle Grip | 9 | 11254 | 1 | Switch |
| 3 | 51031 | 1 | 1/4-20 x 3/4 Serrated Flange Cap Screw | 10 | 11257 | 2 | 5/16-18 x 1-1/4 Hex Cap Screw |
| 4 | 11236 | 1 | Rubber Switch Boot | 11 | 50970 | 1 | 1/4-20 Locknut |
| 5 | F50020 | 1 | Wand Bracket | 12 | 50971 | 1 | 5/16-18 Locknut |
| 6 | 11246 | 1 | Coil Hose | 13 | 11261 | 1 | Spot Spray Wand |
| 7 | 11252 | 1 | Pump Harness | | | | |

SL-80SS WALK-BEHIND SPRAYER PARTS LIST

TANK ASSEMBLY: MODEL SL-80SS



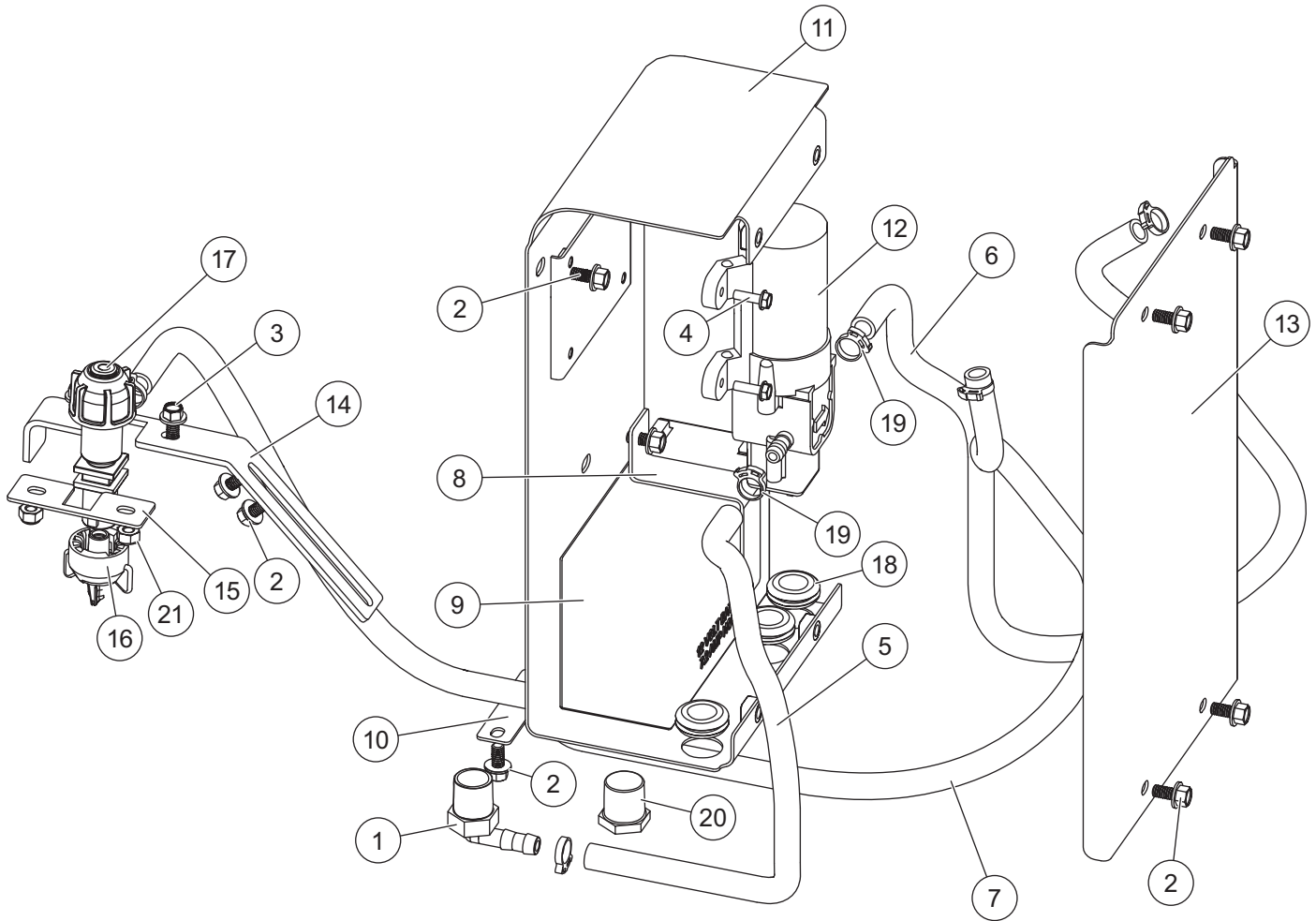
Tank Assembly Components – SL-80SS

| Item | Part | Qty | Description | Item | Part | Qty | Description |
|------|-------|-----|--------------------------------------|------|--------|-----|-------------------------------------|
| 1 | 11233 | 1 | 1/2 Male Thread x 3/8 90° Hose Barb | 11 | F50009 | 1 | Tank (incl. item 15) |
| 2 | 11234 | 1 | 1/4 Male Thread x 3/8 Hose Barb | 12 | 11247 | 1 | Panel Mount Valve |
| 3 | 50907 | 2 | 13 x 5 Wheel | 13 | 11249 | 1 | 1/4 Male Thread x 3/8 90° Hose Barb |
| 4 | 50915 | 1 | Axle | 14 | 11255 | 1 | Tank Strainer |
| 5 | 50933 | 2 | 2" Cotter Pin SS | 15 | 11259 | 1 | Tank Lid, 6" Vented |
| 6 | 50935 | 4 | Wheel Bushing | 16 | 11260 | 1 | 1/2 Pipe Plug |
| 7 | 50948 | 4 | 1/4-20 x 2-1/4 Hex Cap Screw | 17 | 50970 | 4 | 1/4-20 Locknut |
| 8 | 50964 | 2 | Grease Fitting | 18 | T30151 | 1 | Hopper Frame |
| 9 | 50965 | 2 | Shaft Collar | 19 | T30152 | 1 | Frame Stand |
| 10 | 11237 | 3 | 1/4-20 x 1 Serrated Flange Cap Screw | | | | |

SS = Stainless Steel

SL-80 WALK-BEHIND SPRAYER PARTS LIST

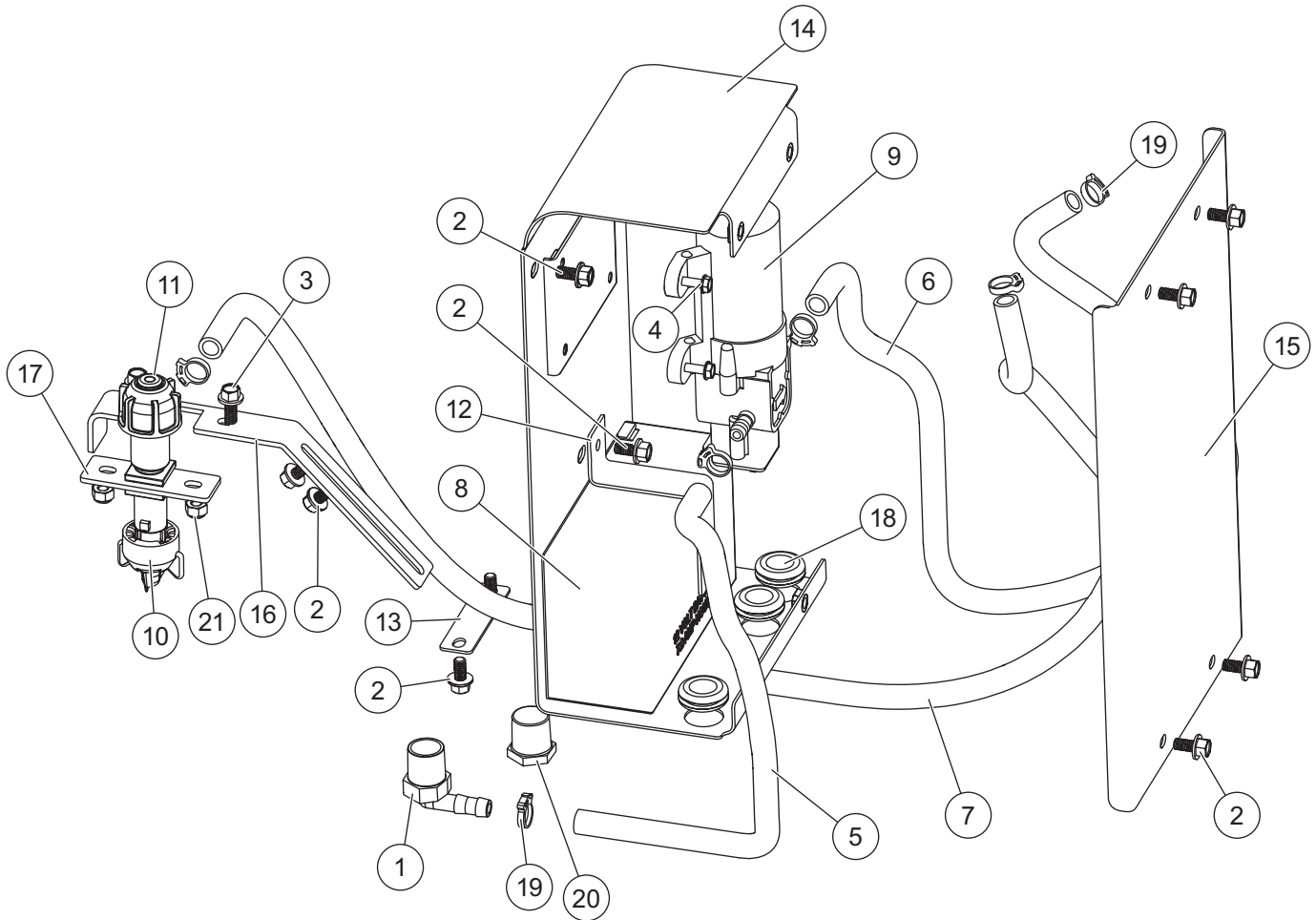
PUMP ASSEMBLY COMPONENTS: MODEL SL-80



| Pump Assembly – SL-80 | | | | | | | |
|-----------------------|-------|-----|--|------|-------|-----|-----------------------------|
| Item | Part | Qty | Description | Item | Part | Qty | Description |
| 1 | 11233 | 1 | 1/2 Male Thread x 3/8 90° Hose Barb | 12 | 11243 | 1 | Pump |
| 2 | 51030 | 11 | 1/4-20 x 1/2 Serrated Flange Cap Screw | 13 | 11244 | 1 | Pump Enclosure Cover |
| 3 | 51031 | 2 | 1/4-20 x 3/4 Serrated Flange Cap Screw | 14 | 11245 | 1 | Inside Nozzle Body Bracket |
| 4 | 51039 | 4 | #10-32 x 5/8 Serrated Flange Cap Screw | 15 | 11248 | 1 | Outside Nozzle Body Bracket |
| 5 | 10823 | 1 | 3/8 Hose – 16.5" | 16 | 11250 | 1 | Push Sprayer Nozzle |
| 6 | 10823 | 1 | 3/8 Hose – 30" | 17 | 11251 | 1 | Nozzle Body |
| 7 | 10823 | 1 | 3/8 Hose – 40" | 18 | 11256 | 3 | Rubber Grommet |
| 8 | 11238 | 1 | Battery Bracket | 19 | 11258 | 6 | 3/8 Hose Clamp |
| 9 | 11240 | 1 | Battery | 20 | 11260 | 1 | 1/2 Pipe Plug |
| 10 | 11241 | 1 | Hose Guide | 21 | 50970 | 2 | 1/4-20 Locknut |
| 11 | 11242 | 1 | Pump Enclosure | | | | |

SL-80SS WALK-BEHIND SPRAYER PARTS LIST

PUMP ASSEMBLY COMPONENTS: MODEL SL-80SS



| Pump Assembly – SL-80SS | | | | | | | |
|-------------------------|-------|-----|--|------|--------|-----|-----------------------------|
| Item | Part | Qty | Description | Item | Part | Qty | Description |
| 1 | 11233 | 1 | 1/2 Male Thread x 3/8 90° Hose Barb | 12 | F50019 | 1 | Battery Bracket |
| 2 | 51030 | 11 | 1/4-20 x 1/2 Serrated Flange Cap Screw | 13 | F50021 | 1 | Hose Guide |
| 3 | 51031 | 2 | 1/4-20 x 3/4 Serrated Flange Cap Screw | 14 | F50022 | 1 | Pump Enclosure |
| 4 | 51039 | 4 | #10-32 x 5/8 Serrated Flange Cap Screw | 15 | F50023 | 1 | Pump Enclosure Cover |
| 5 | 10823 | 1 | 3/8 Hose – 16.5" | 16 | F50024 | 1 | Inside Nozzle Body Bracket |
| 6 | 10823 | 1 | 3/8 Hose – 30" | 17 | F50025 | 1 | Outside Nozzle Body Bracket |
| 7 | 10823 | 1 | 3/8 Hose – 40" | 18 | 11256 | 3 | Rubber Grommet |
| 8 | 11240 | 1 | Battery | 19 | 11258 | 6 | 3/8 Hose Clamp |
| 9 | 11243 | 1 | Pump | 20 | 11260 | 1 | 1/2 Pipe Plug |
| 10 | 11250 | 1 | Push Sprayer Nozzle | 21 | 50970 | 2 | 1/4-20 Locknut |
| 11 | 11251 | 1 | Nozzle Body | | | | |



TrynEx International
531 Ajax Drive
Madison Heights, MI 48071-2429
www.snowexproducts.com

 A DIVISION OF DOUGLAS DYNAMICS, LLC

Copyright © 2019 Douglas Dynamics, LLC. All rights reserved. This material may not be reproduced or copied, in whole or in part, in any printed, mechanical, electronic, film, or other distribution and storage media, without the written consent of TrynEx International. Authorization to photocopy items for internal or personal use by TrynEx International outlets or sprayer owner is granted.

TrynEx International reserves the right under its product improvement policy to change construction or design details and furnish equipment when so altered without reference to illustrations or specifications used. TrynEx International may require or recommend optional equipment for sprayers. TrynEx International offers a limited warranty for all sprayers and accessories. See separately printed page for this important information. The following are registered (®) trademarks of Douglas Dynamics, LLC: SnowEx®, TrynEx®.

Printed in U.S.A.