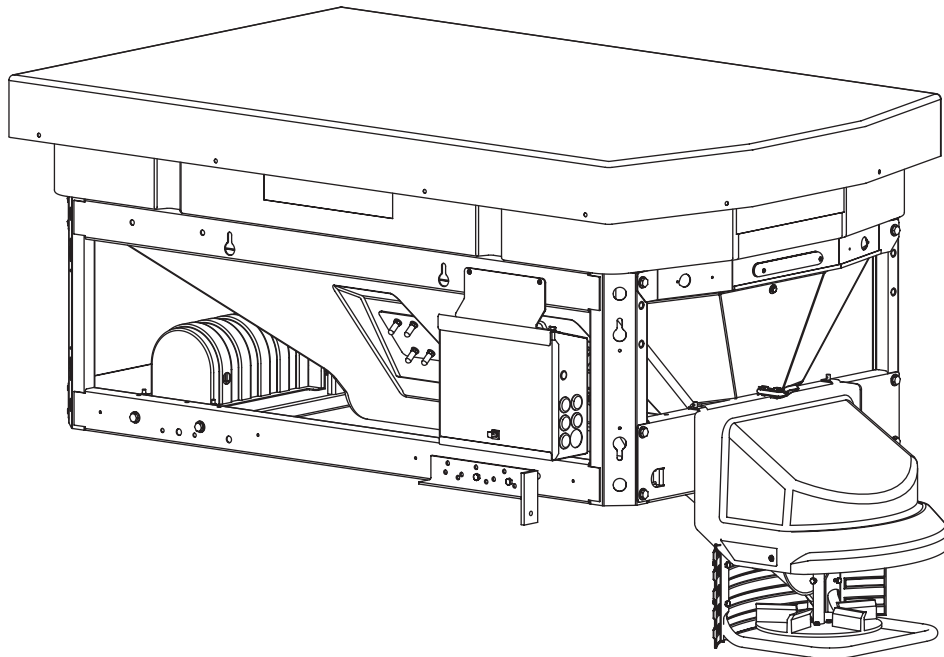




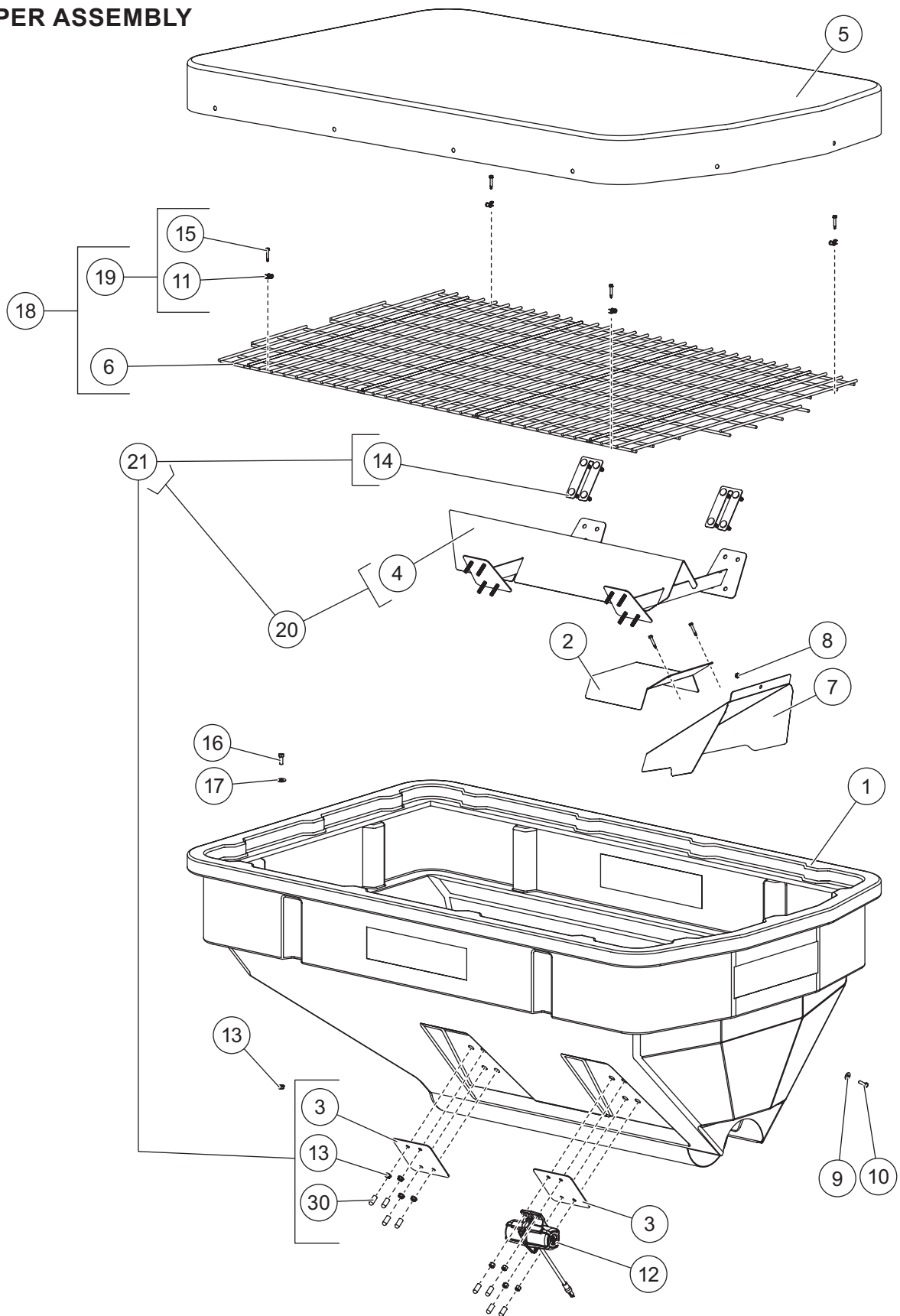
V-Maxx™ G2 Hopper Spreader VX-1500

Parts List

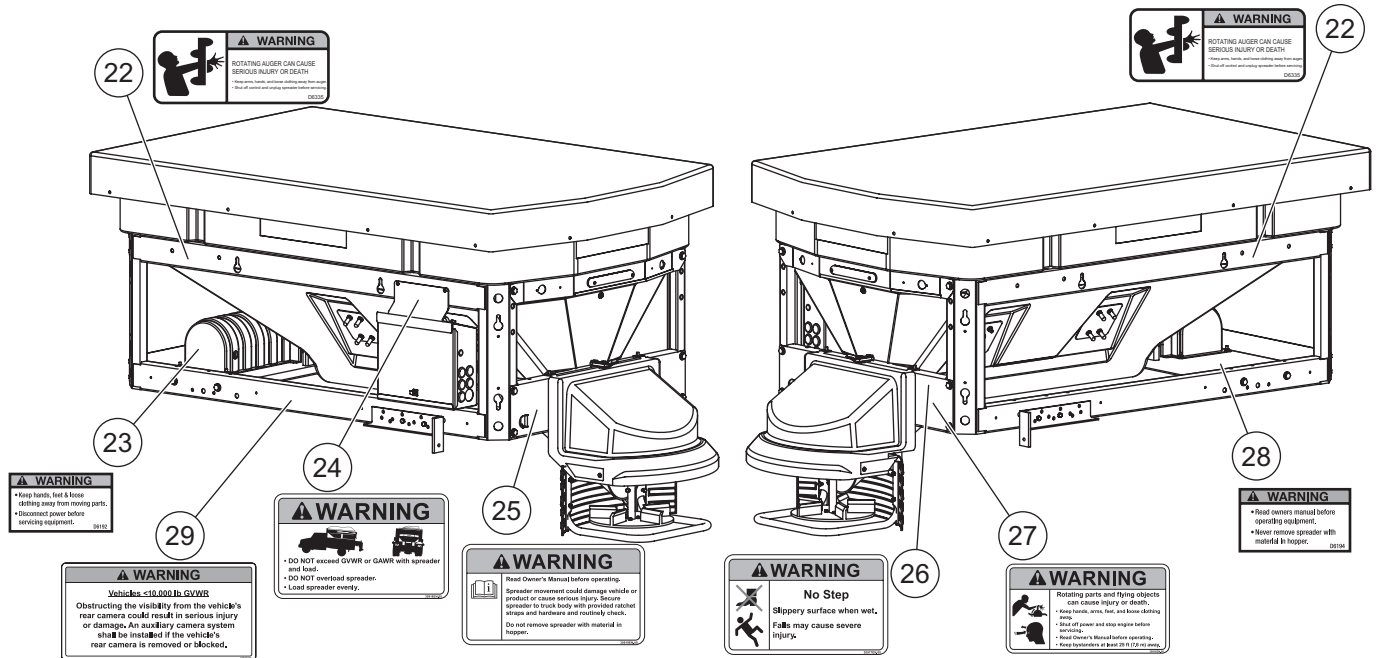


VX-1500 HOPPER SPREADER

HOPPER ASSEMBLY



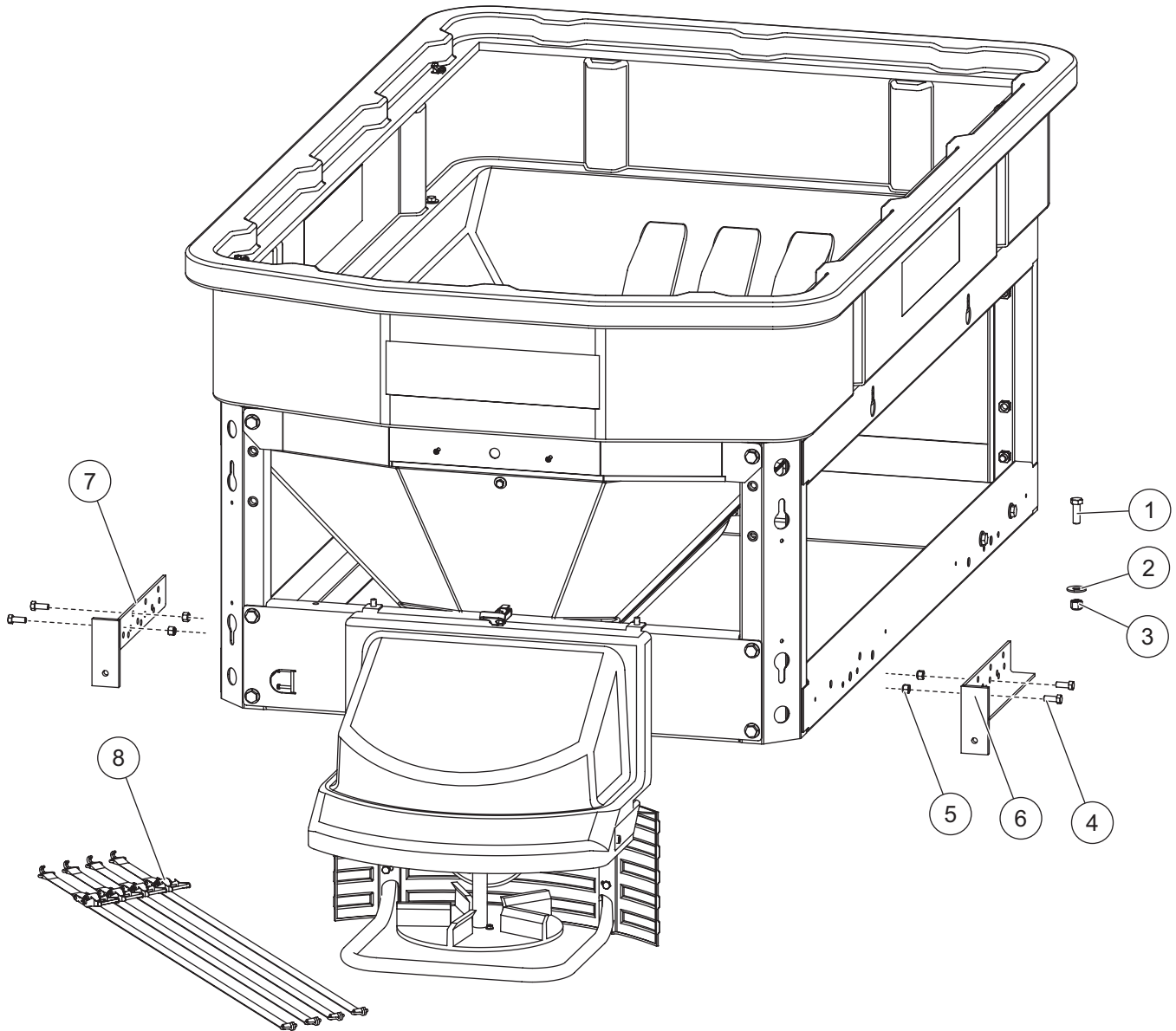
VX-1500 HOPPER SPREADER



Hopper Assembly							
Item	Part	Qty	Description	Item	Part	Qty	Description
1	D5500	1	Hopper, 1.4 yd ³ (yellow)	16	D4121	4	3/8-16 x 1 Hex Cap Screw
2	D5503	1	Discharge Baffle Extension	17	D4125	4	3/8 Flat Washer
3	D5508	4	Flat Inverted V Backing Plate	18	83713	1	Top Screen Kit
4	D5510	1	Inverted V	19	83719	1	Top Screen Hardware Kit
5	D5511	1	Tarp Kit	20	83714	1	Inverted V Kit
6	D5512	1	72 x 43 Top Screen	21	83721	1	Inverted V Hardware Kit
7	D5517	1	Discharge Baffle	22	D6335	1	Label – Warning, Rotating Auger
8	D6138	1	5/16-18 Locknut	23	D6192	1	Label – Warning, Hands and Feet
9	D6165	1	5/16 Flat Washer	24	30918EN	1	Label – Warning, Do Not Overload
10	D6166	1	5/16-18 x 1 Hex Cap Screw	25	30919EN	1	Label – Warning, Owner's Manual
11	D6509	4	5/16 Rubber Coated Clamp	26	30917EN	1	Label – Warning, No Step
12	75673	1	Vibrator Kit	27	30916EN	1	Label – Warning, Rotating Parts
13	D6584	20	3/8-16 Serrated Flange Nut	28	D6194	1	Label – Warning, Before Operating
14	D6815	2	Bolt Plate, 4-Bolt	29	11100	1	Label – Warning, Rear Camera
15	D6874	6	1/4 x 1-1/2 Driller Screw w/Washer	ns	83691	2	Label – SnowEx® V-Maxx™ G2
Item 18	83713 Top Screen Kit						
6	D5512	1	72 x 43 Top Screen	19	83719	1	Top Screen Hardware Kit
Item 19	83719 Top Screen Hardware Kit						
11	D6509	4	5/16 Rubber Coated Clamp	15	D6874	4	1/4 x 1-1/2 Driller Screw w/Washer
Item 20	83714 Inverted V Kit						
4	D5510	1	Inverted V	21	83721	1	Inverted V Hardware Kit
Item 21	83721 Inverted V Hardware Kit						
3	D5508	4	Flat Inverted V Backing Plate	14	D6815	2	Bolt Plate, 4-Bolt
13	D6584	16	3/8-16 Serrated Flange Nut	30	T30820	16	3/8 x 1 Stud Cover, Plastic
ns = not shown							

VX-1500 HOPPER SPREADER

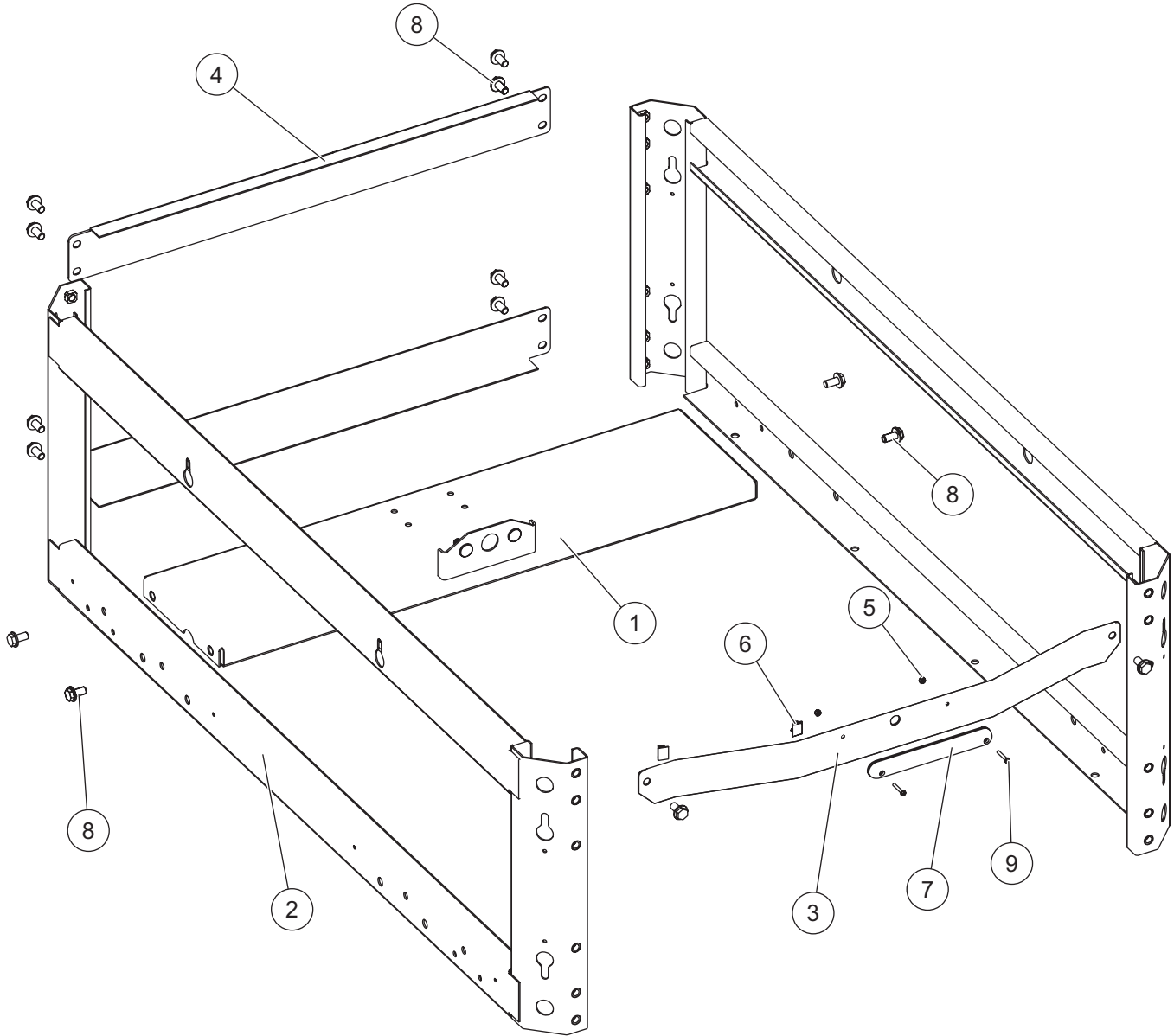
MOUNTING HARDWARE



Mounting Hardware							
Item	Part	Qty	Description	Item	Part	Qty	Description
1	D4116	4	1/2-13 x 1-1/2 Hex Cap Screw	5	D4124	4	3/8 Locknut
2	D4119	4	1/2 Flat Washer	6	D6536	1	Adjustable Stop Bracket, Right
3	D4120	4	1/2-13 Locknut	7	D6537	1	Adjustable Stop Bracket, Left
4	D4121	4	3/8-16 x 1 Hex Cap Screw	8	D6856	1	V-Maxx™ Ratchet Straps (pkg of 4)

VX-1500 HOPPER SPREADER

FRAME ASSEMBLY

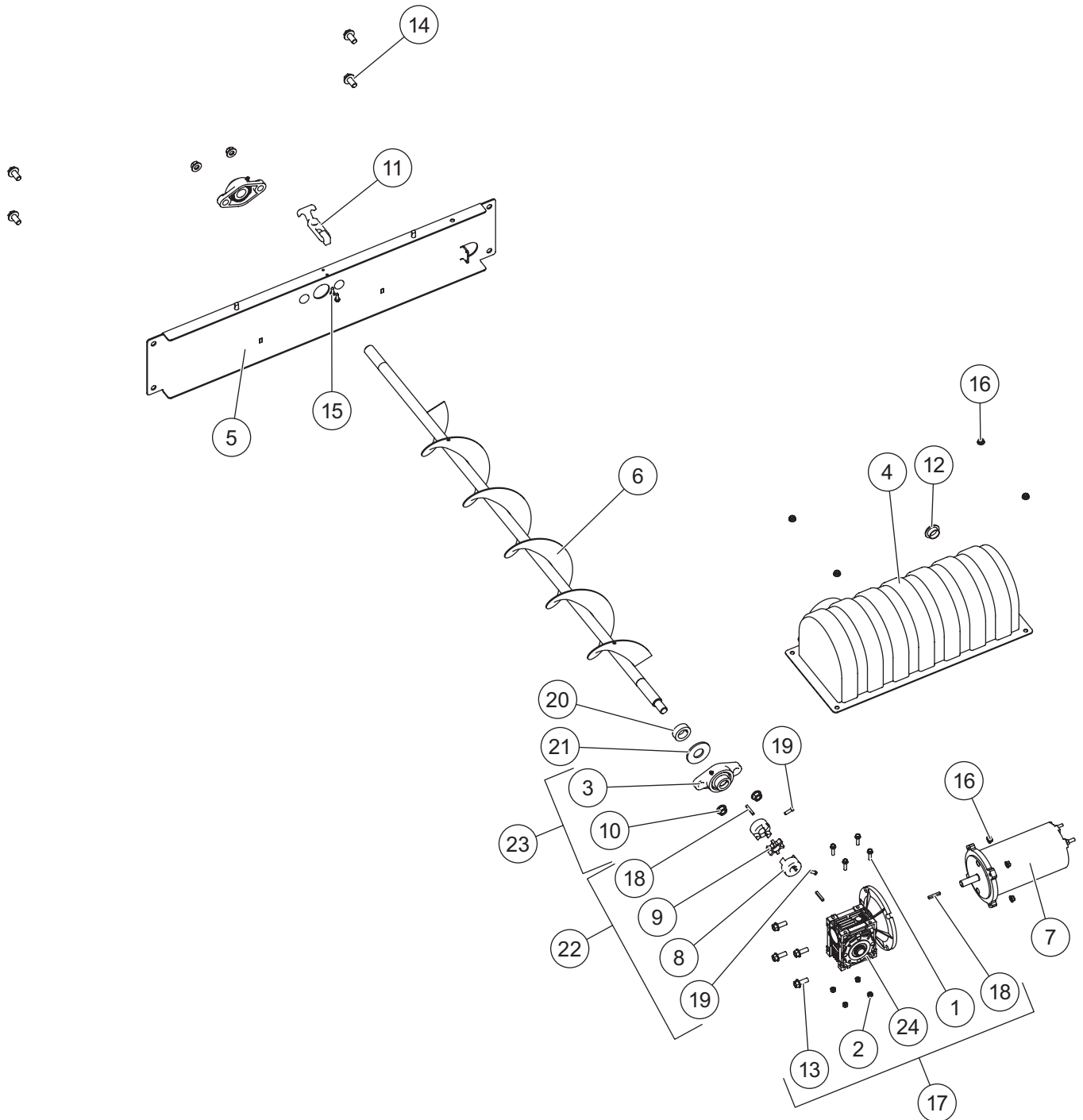


Frame Assembly							
Item	Part	Qty	Description	Item	Part	Qty	Description
1	D5504	1	Auger Drive Mounting Plate	6	D6468	2	1/4 Wire Loom Adhesive Clamp
2	D5505-1	2	Side Frame	7	D6514	1	CHMSL Brake Light
3	D5506-1	1	Rear Apron	8	D6528	14	1/2-13 x 1 Hex Cap Screw
4	D5507	2	Front Fascia	9	D6529	2	#10-32 x 1-1/4 Phillips Head Screw SS
5	D6158	2	#10-32 Locknut				

SS = Stainless Steel

VX-1500 HOPPER SPREADER

AUGER DRIVE ASSEMBLY



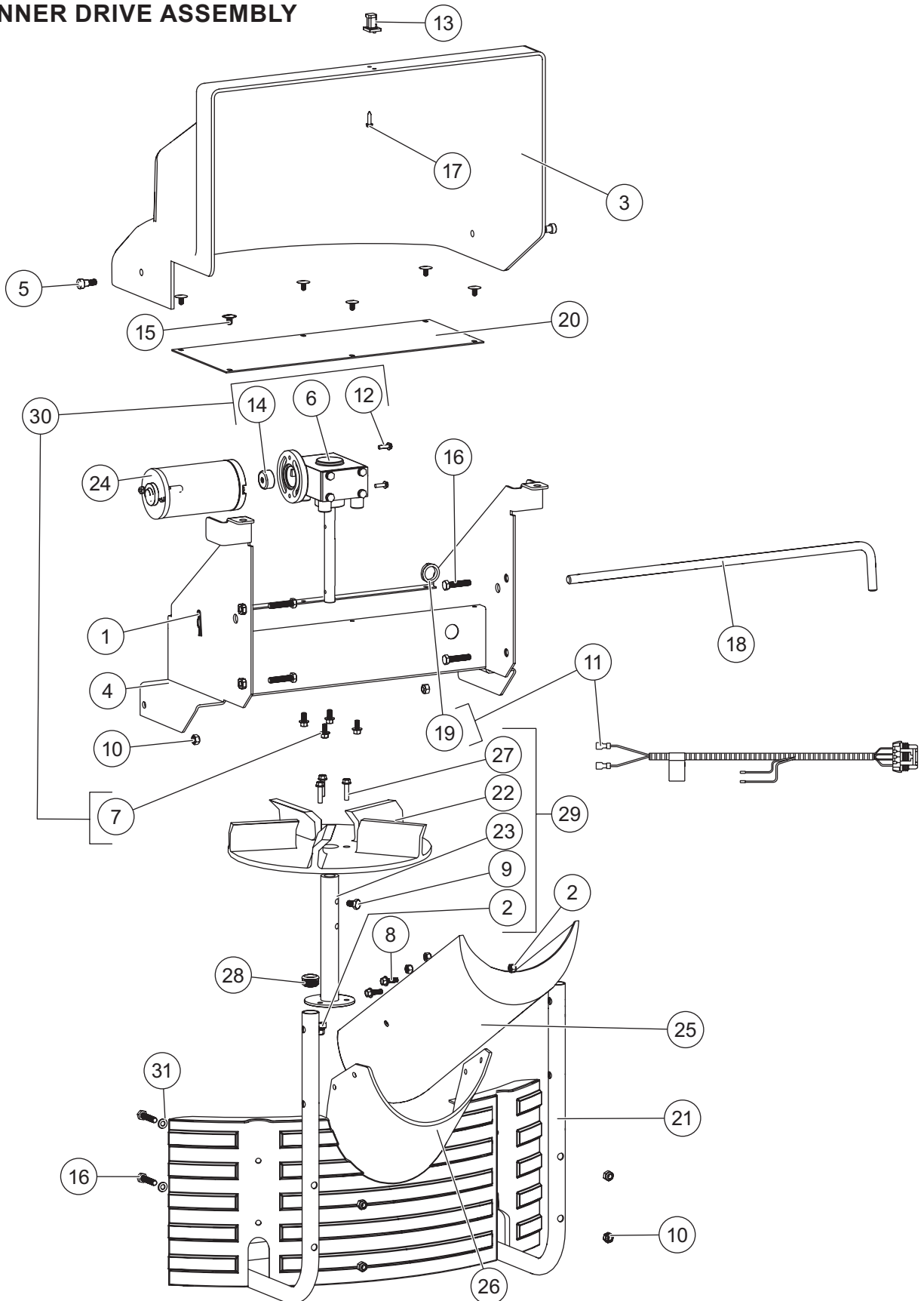
VX-1500 HOPPER SPREADER

Auger Drive Assembly							
Item	Part	Qty	Description	Item	Part	Qty	Description
1	D6854	4	1/4-20 x 1 Serrated Flange Hex Cap Screw	13	D6452	4	3/8-16 x 1 Serrated Flange Hex Cap Screw
2	T15016	4	1/4-20 Locknut	14	D6528	4	1/2-13 x 1 Serrated Hex Cap Screw
3	D5383	2	1" 2-Bolt Flange Bearing	15	D6553	2	#10 x 3/4 Slotted Hex Washer-Head Screw
4	F50957	1	Auger Motor Cover	16	D5706	8	5/16-18 Serrated Flange Nut
5	D5514	1	Spinner Drive Mount Plate	17	99798*	1	Transmission 80:1 Kit
6	D5520	1	5 x 57 x 5-8" Auger	18	D6873	3	3/16 x 1-1/4 Key Stock
7	D6825-1	1	1/3 HP Motor, 1750 RPM	19	D7164	2	1/4-20 x 3/4 Square Head Set Screw
8	D5532	2	Jaw Coupling Hub	20	T20315	1	1-1/16 Shaft Collar w/Set Screw
9	D5533	1	Jaw Coupling Spider	21	T30742	1	1" Flat Washer
10	D5535	4	1/2-13 Serrated Flange Nut	22	83716	1	Coupler Kit
11	D6105	1	Flexible Draw Latch	23	83717	2	Bearing Kit
12	99195	1	Break-Thru Plug				
Item 17				99798* Transmission 80:1 Kit			
1	D6854	4	1/4-20 x 1 Serrated Flange Hex Cap Screw	13	D6452	4	3/8-16 x 1 Serrated Flange Hex Cap Screw
2	T15016	4	1/4-20 Locknut	18	D6873	2	3/16 x 1-1/4 Key Stock
				24	10923	1	Transmission 80:1 NMRV 040
Item 22				83716 Coupler Kit			
8	D5532	2	Jaw Coupling Hub	18	D6873	2	3/16 x 1-1/4 Key Stock
9	D5533	1	Jaw Coupling Spider	19	D7164	2	1/4-20 x 3/4 Square Head Set Screw
Item 23				83717 Bearing Kit			
3	D5383	1	1" 2-Bolt Flange Bearing	10	D5535	2	1/2-13 Serrated Flange Nut

* If replacing early-style black transmission, also order PN 83723 Transmission Adapter Kit.

VX-1500 HOPPER SPREADER

SPINNER DRIVE ASSEMBLY

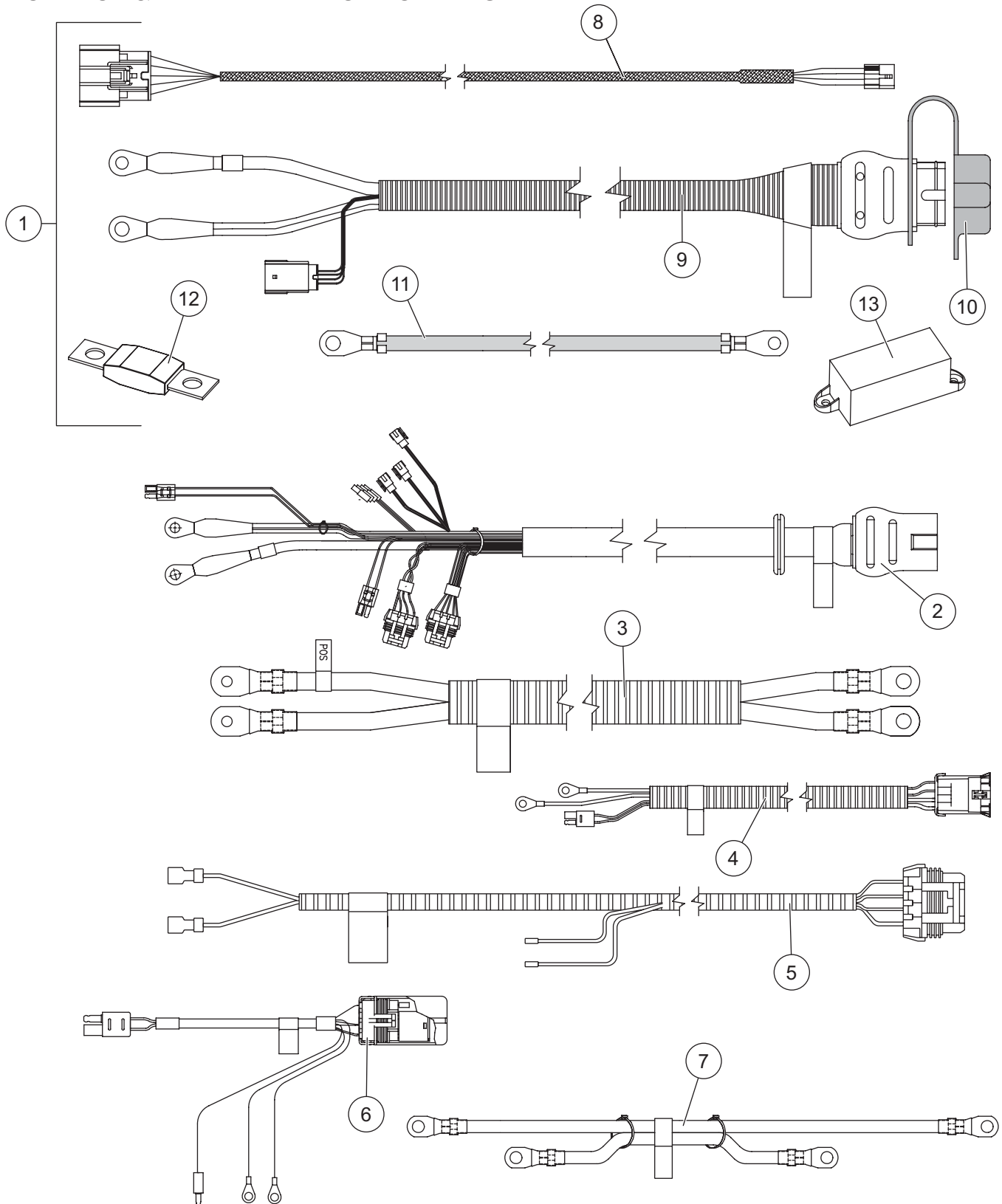


VX-1500 HOPPER SPREADER

83718 Spinner Drive Assembly							
Item	Part	Qty	Description	Item	Part	Qty	Description
1	D4135	1	.093 x 2-3/8 Hairpin Cotter	16	D6524	8	5/16-18 x 1-1/2 Hex Cap Screw
2	T15016	7	1/4-20 Waxed Locknut	17	D6553	1	#10 x 3/4 Slotted Hex Washer-Head Screw
3	D5502	1	Spinner Drive Cover	18	D6563	1	1/2 x 20 Bent Pin
4	D5518	1	Spinner Drive Enclosure	19	21651	1	#2 Rubber Grommet
5	D5536	2	3/8 x 5/16 Socket Shoulder Hex Cap Screw	20	D6819	1	Spinner Drive Enclosure Cover
6	D6107	1	8:1 Worm Gear Transmission	21	D6820	1	Spinner Guard Tube
7	D6131	4	1/4-20 x 1/2 Serrated Flange Hex Cap Screw SS	22	D6823	1	12 x 5/8 Spinner
8	D6132	4	1/4-20 x 3/4 Serrated Flange Hex Cap Screw SS	23	D6824	1	5/8 x 1 x 7-5/8 Spinner Hub
9	T15049	1	5/16-18 x 1/2 Hex Cap Screw SS	24	72557	1	Spinner Motor
10	D6138	6	5/16-18 Locknut	25	D6832	1	Material Chute
11	78413	1	Spinner Harness	26	D6833	1	Spinner Deflector
12	D6172	2	#10-32 x 5/8 Serrated Flange Hex Cap Screw w/Patch	27	D6854	3	1/4-20 x 1 Serrated Flange Hex Cap Screw SS
13	D6198	1	Latch Keeper	28	F50438	2	1" Round Tube Plug
14	D6232	1	Motor Drive Coupler	29	99797	1	Spinner Hub Kit
15	D6467	6	1/4 x 3/4 x 1/2 Retainer	30	83722	1	Spinner Transmission Kit
31	D6165	4	5/16 Flat Washer				
Item 11				78413 Spinner Harness			
		1	Spinner Harness	19	21651	1	#2 Rubber Grommet
Item 29				99797 Spinner Hub Kit			
2	T15016	3	1/4-20 Waxed Locknut	23	D6824	1	5/8 x 1 x 7-5/8 Spinner Hub Screw SS
9	T15049	1	5/16-18 x 1/2 Hex Cap Screw SS	27	D6854	3	1/4-20 x 1 Serrated Flange Hex Cap Screw SS
22	D6823	1	12 x 5/8 Spinner				
Item 30				83722 Spinner Transmission Kit			
6	D6107	1	8:1 Worm Gear Transmission	12	D6172	2	#10-32 x 5/8 Serrated Flange Hex Cap Screw w/Patch
7	D6131	4	1/4-20 x 1/2 Serrated Flange Hex Cap Screw SS	14	D6232	1	Motor Drive Coupler
SS = Stainless Steel							

VX-1500 HOPPER SPREADER

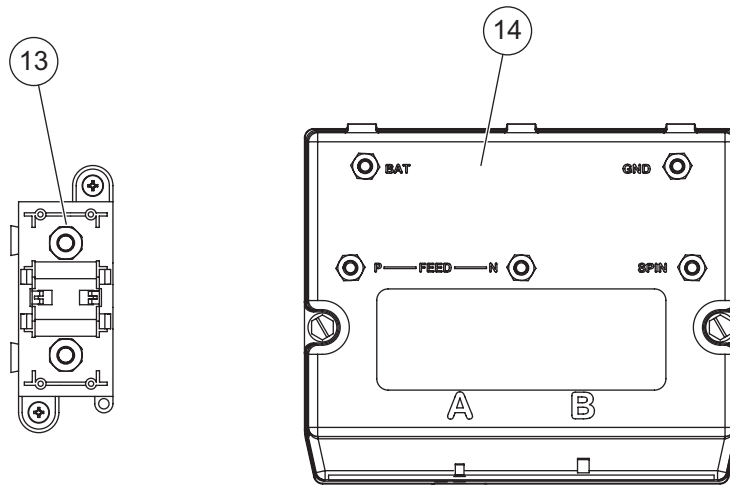
CONTROL & ELECTRICAL COMPONENTS



Not drawn to scale.

VX-1500 HOPPER SPREADER

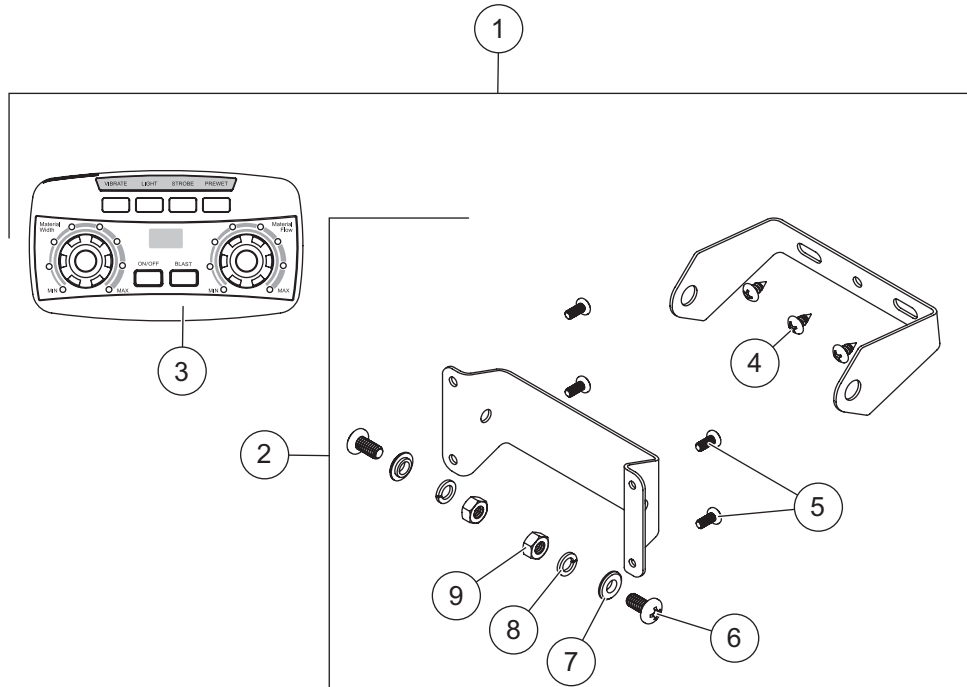
ELECTRICAL CONTROL & HARNESSSES



Cables & Harnessing / Electrical Enclosure Assembly							
Item	Part	Qty	Description	Item	Part	Qty	Description
1	78402	1	Vehicle-Side Harness Kit	5	78413	1	Harness, Spinner Chute
2	83688	1	Cable Assembly, Hopper	6	78382	1	Vibrator Harness Assembly
3	83697	1	Cable Assembly, Module to Auger Motor	7	78385	1	Cable Assembly, Mod. to Isolated Stud
4	78415	1	Cable Assembly, Spinner Motor, Hopper	ns	99775	1	Cable Boot, 8-Pin
				ns	57116	1	Cable Boot Bracket
Item 1 78402 Vehicle-Side Harness Kit							
8	69902	1	Vehicle Control Harness	12	95836	1	Fuse, 100A
9	76057	1	Vehicle Harness Assy (incl. item 10)	13	95837	1	Fuse Holder/Isolated Stud Block
10	99759	1	Plug Cover	ns		6	Cable Tie, HD
11	22511	1	22" Battery Cable – Red	ns		10	Cable Tie, 15.35"
Electrical Box Components							
13	95837	1	Fuse Holder/Isolated Stud Block	14	52375	1	Spreader Module, 5-Post
ns = not shown							

VX-1500 HOPPER SPREADER

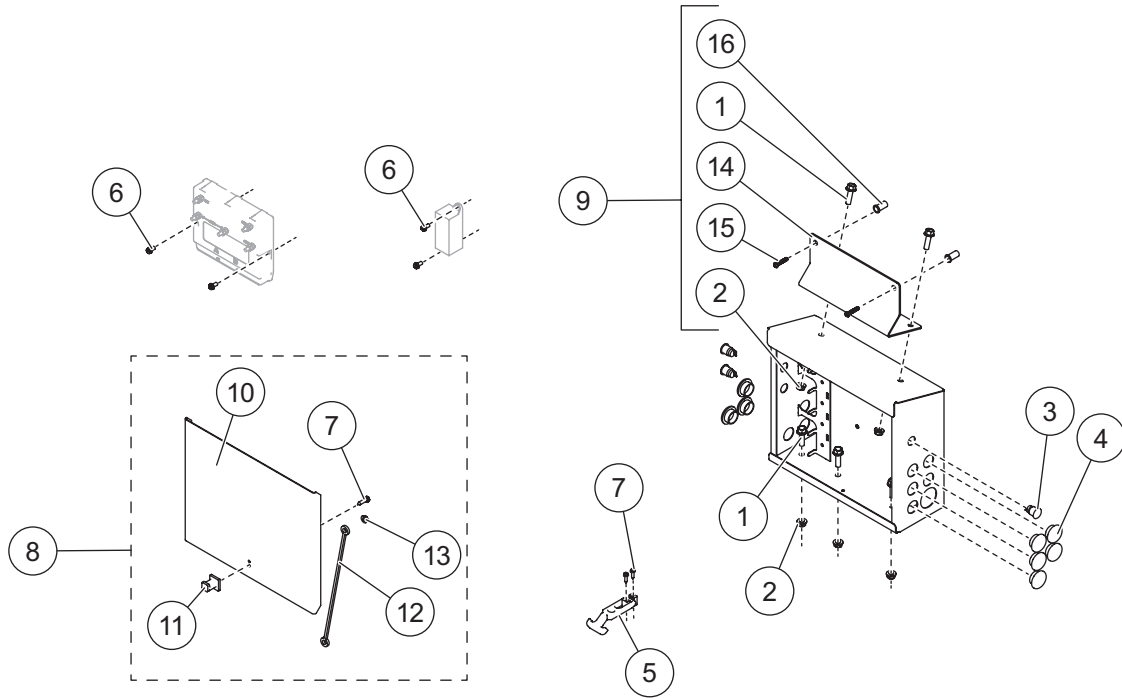
ELECTRICAL CONTROL & HARNESSSES



Cab Control							
Item	Part	Qty	Description	Item	Part	Qty	Description
1	52430	1	Cab Control Kit				
Item 1				52430 Cab Control Kit			
2	52345	1	Cab Control Bracket Kit	3	52432	1	Cab Control 2-Knob
Item 2				52345 Cab Control Bracket Kit			
		1	Bracket, Control Inner	6		2	1/4-20 x 1/2 Pan-Head Machine Screw SS, Black
		1	Bracket, Control Outer	7		2	1/4 Shoulder Washer SS, Black
4		3	#10 x 3/8 Pan-Head Tapping Screw SS	8		2	1/4 Lock Washer SS
5		4	#8 x 3/8 Pan-Head Machine Screw	9		2	1/4-20 Hex Nut G5, Black
SS = Stainless Steel				G = Grade			

VX-1500 HOPPER SPREADER

ELECTRONIC ASSEMBLY COMPONENTS



99789 Electrical Box Assembly							
Item	Part	Qty	Description	Item	Part	Qty	Description
1	83641	3	3/8-16 x 1-1/4 Serrated Flange Screw G5	6	78436	4	1/4-20 x 1/2 Washer-Head Machine Screw SS
2	D6584	3	3/8-16 Serrated Flange Nut	7	D6553	2	#10 x 3/4 Washer-Head Slotted Screw
3	99254	3	Switch, Push Button, MO	8	57016	1	Cover Assembly
4	99195	9	Break-Thru Plug	9	83701	1	Bracket Kit
5	D6105	1	Flexible Draw Latch				
ns	83698	1	Labels – Electronic Assembly				
Item 8 57016 Cover Assembly							
7	D6553	1	#10 x 3/4 Washer-Head Slotted Screw	12	43554	1	12" Lanyard Loop
10	57014	1	Cover	13	88300	1	1/4-20 Serrated Flange Nut
11	D6198	1	Latch Keeper				
Item 9 83701 Bracket Kit							
1	83641	2	3/8-16 x 1-1/4 Serrated Flange Screw G5	15	57966	2	1/4-20 x 1-1/4 Hex Cap Screw SS
2	D6584	2	3/8-16 Serrated Flange Nut	16	78263	2	1/4-20 Well Nut
14		1	Support Bracket				
SS = Stainless Steel			ns = not shown			G = Grade	



TrynEx International, LLC
531 Ajax Drive
Madison Heights, MI 48071-2429
www.snowexproducts.com

 A DIVISION OF DOUGLAS DYNAMICS, LLC

Copyright © 2023 Douglas Dynamics, LLC. All rights reserved. This material may not be reproduced or copied, in whole or in part, in any printed, mechanical, electronic, film, or other distribution and storage media, without the written consent of TrynEx International, LLC. Authorization to photocopy items for internal or personal use by TrynEx International outlets or spreader owner is granted.

TrynEx International reserves the right under its product improvement policy to change construction or design details and furnish equipment when so altered without reference to illustrations or specifications used. TrynEx International or the vehicle manufacturer may require or recommend optional equipment for spreaders. Do not exceed vehicle ratings with a spreader. TrynEx International offers a limited warranty for all spreaders and accessories. See separately printed page for this important information. The following are registered (®) or unregistered (™) trademarks of Douglas Dynamics, LLC: SnowEx®, V-Maxx™.

Printed in U.S.A.