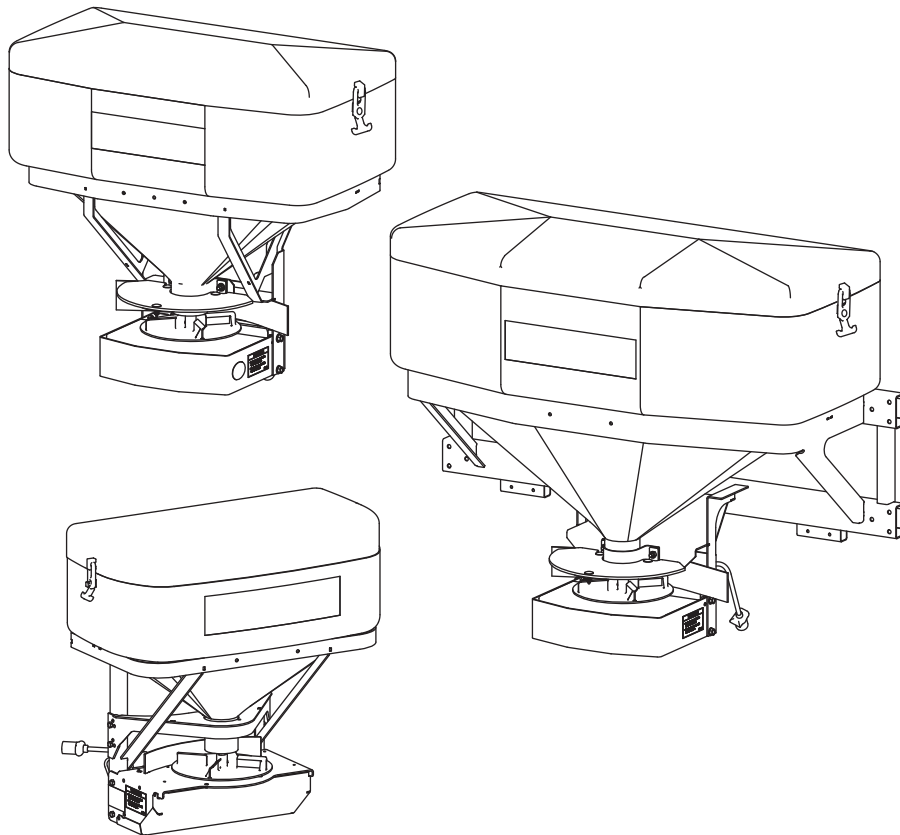




# SP-325, SP-575X, SP-1075X Single-Stage Tailgate Spreaders

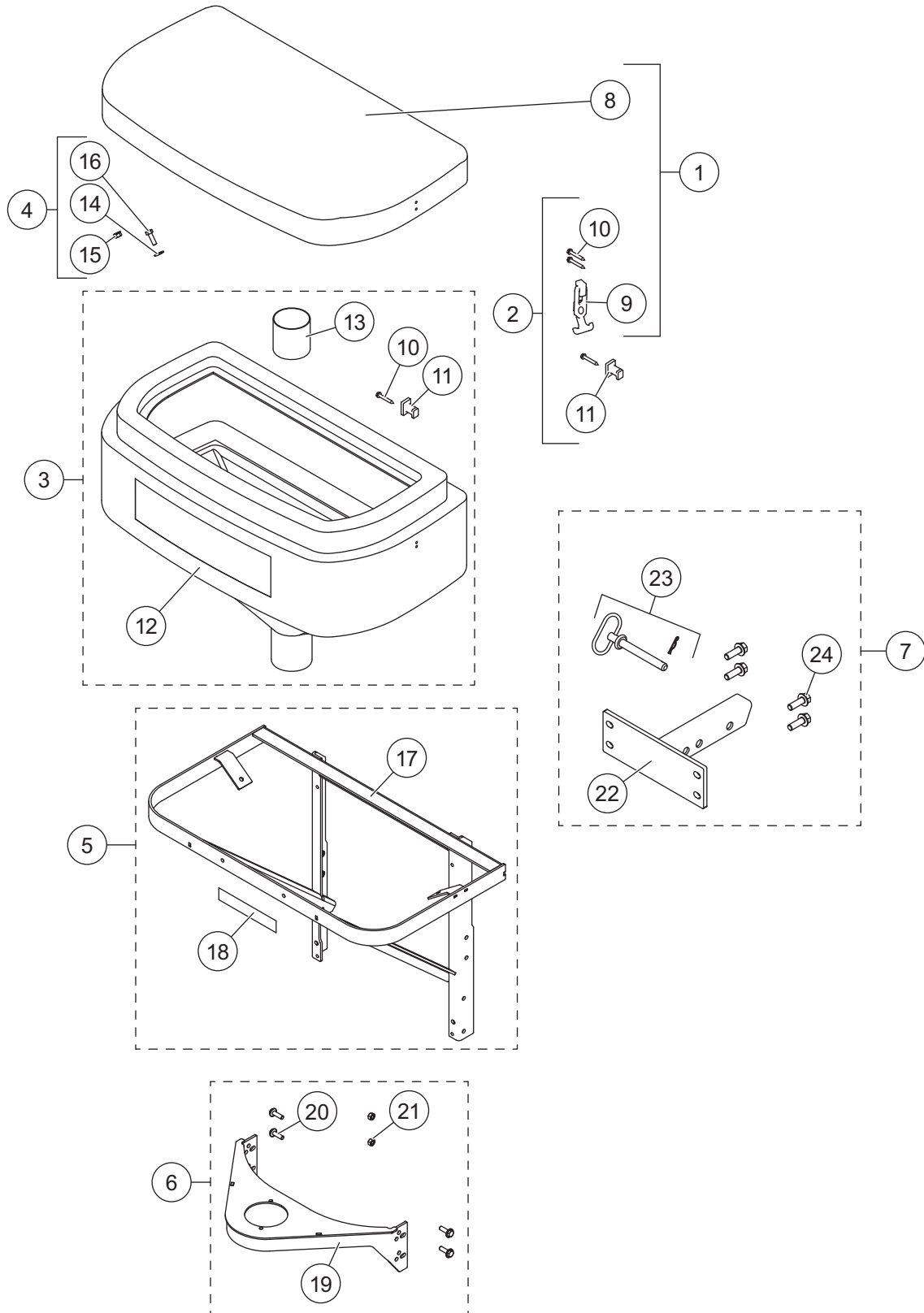
## Parts List



This Parts List is for SnowEx® SP-325 spreaders with serial numbers beginning with 140502 and higher,  
SP-575X spreaders with serial numbers beginning with 140718 and higher,  
and SP-1075X spreaders with serial numbers beginning with 140722 and higher.

# SP-325 TAILGATE SPREADER

## HOPPER AND FRAME ASSEMBLY

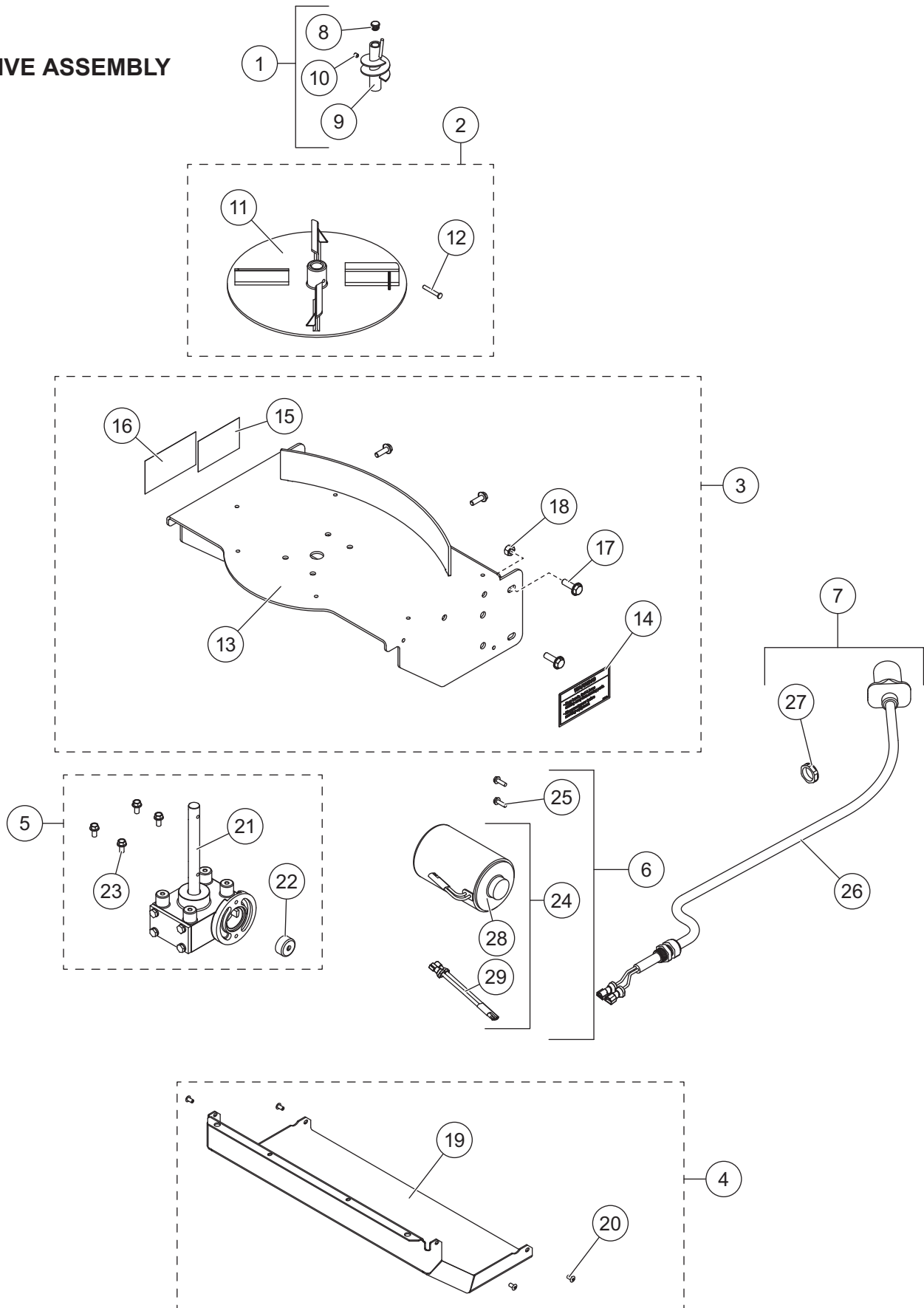


## SP-325 TAILGATE SPREADER

<b>Hopper &amp; Frame Assembly</b>							
Item	Part	Qty	Description	Item	Part	Qty	Description
1	75611	1	Lid Kit, SP-325	5	75616	1	Frame Kit, SP-325
2	75612	1	Hopper Strap Kit	6	75617	1	Hopper Throat Kit
3	75613	1	Hopper Kit, SP-325	7	75619	1	Receiver Kit
4	75614	1	Hopper Hardware Kit				
<b>Item 1 75611 Lid Kit, SP-325</b>							
8		1	Hopper Lid, SP-325	10		4	#10 x 3/4 Slotted Cap Screw
9	D6105	2	Flexible Draw Latch				
<b>Item 2 75612 Hopper Strap Kit</b>							
9	D6105	2	Flexible Draw Latch	11	D6198	2	Latch Keeper
10		6	#10 x 3/4 Slotted Cap Screw				
<b>Item 3 75613 Hopper Kit, SP-325</b>							
10		2	#10 x 3/4 Slotted Cap Screw	12		1	Hopper, SP-325
11	D6198	2	Latch Keeper	13		1	Throat Liner SS
<b>Item 4 75614 Hopper Hardware Kit</b>							
14		2	3/8 Flat Washer	16		2	5/16-18 x 1-1/4 Hex Cap Screw
15		2	5/16-18 Hex Locknut GB				
<b>Item 5 75616 Frame Kit, SP-325</b>							
17		1	Main Frame, SP-325	18	75648	1	Label – Identity, Junior 325
<b>Item 6 75617 Hopper Throat Kit</b>							
19		1	Throat Support	21		4	5/16-18 Serrated Flange Nut
20		4	5/16-18 x 1 Serrated Flange Hex Cap Screw				
<b>Item 7 75619 Receiver Kit</b>							
22		1	2" Receiver Utility Hitch	24	T40109	4	1/2-13 x 1-1/2 Hex Cap Screw G5
23	75620	1	5/8 x 5-1/2 Hitch Pin w/Hairpin Cotter				
G = Grade				SS = Stainless Steel			

# SP-325 TAILGATE SPREADER

## DRIVE ASSEMBLY

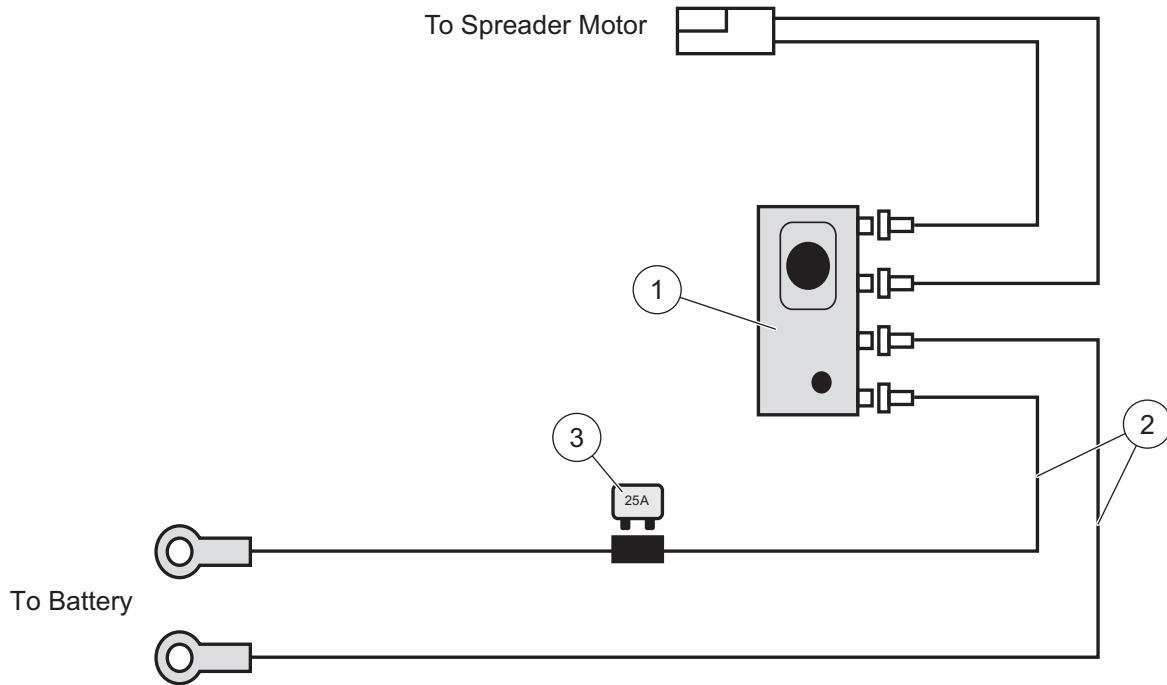




# SP-325 TAILGATE SPREADER

---

## ELECTRICAL COMPONENTS



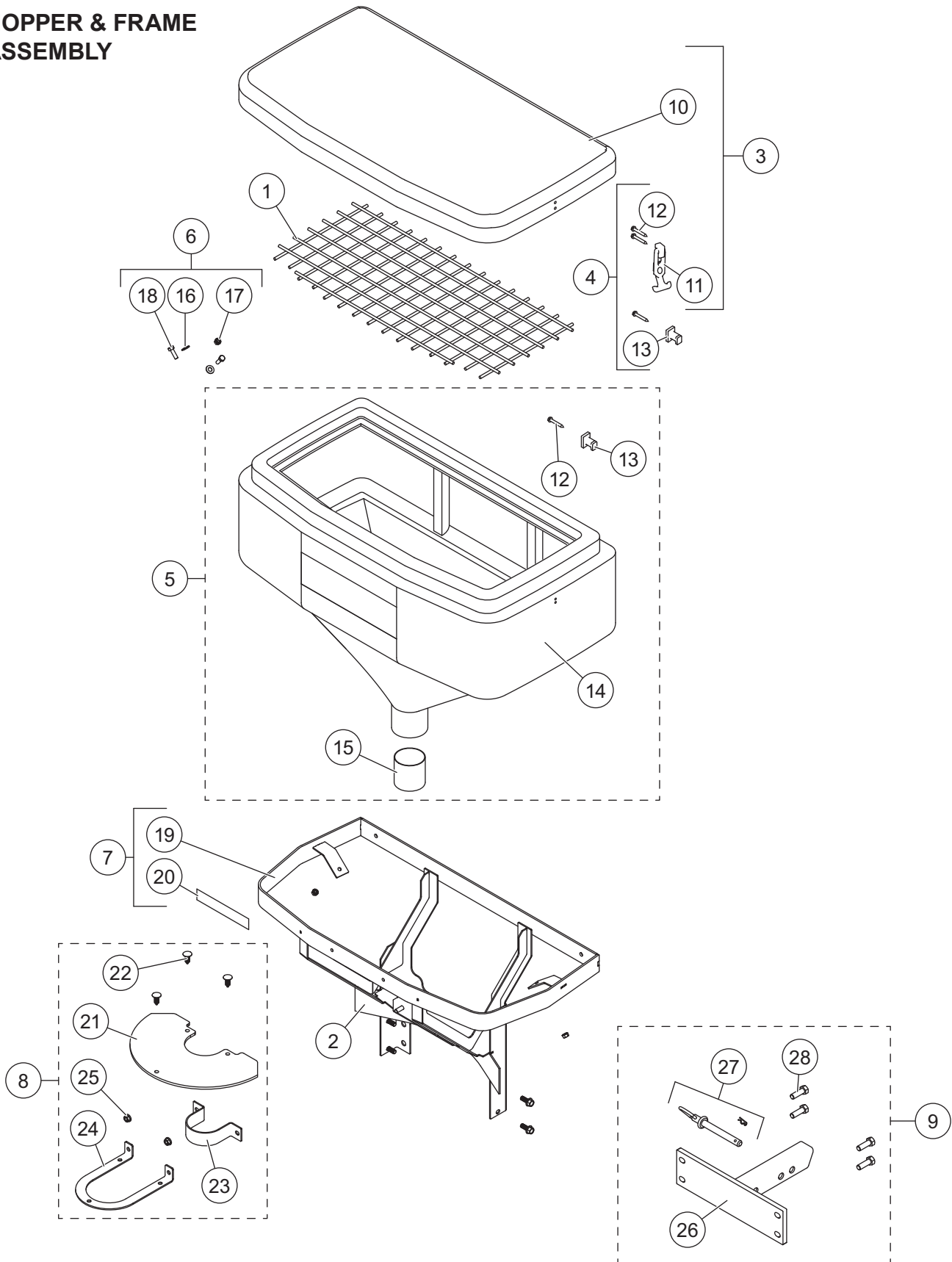
## SP-325 TAILGATE SPREADER

---

Electrical Components, SP-325							
Item	Part	Qty	Description	Item	Part	Qty	Description
1	D6474	1	Mini Control	3	D6748	1	25A Breaker
2	D6486	1	Harness, SP-325				

# SP-575X TAILGATE SPREADER

## HOPPER & FRAME ASSEMBLY



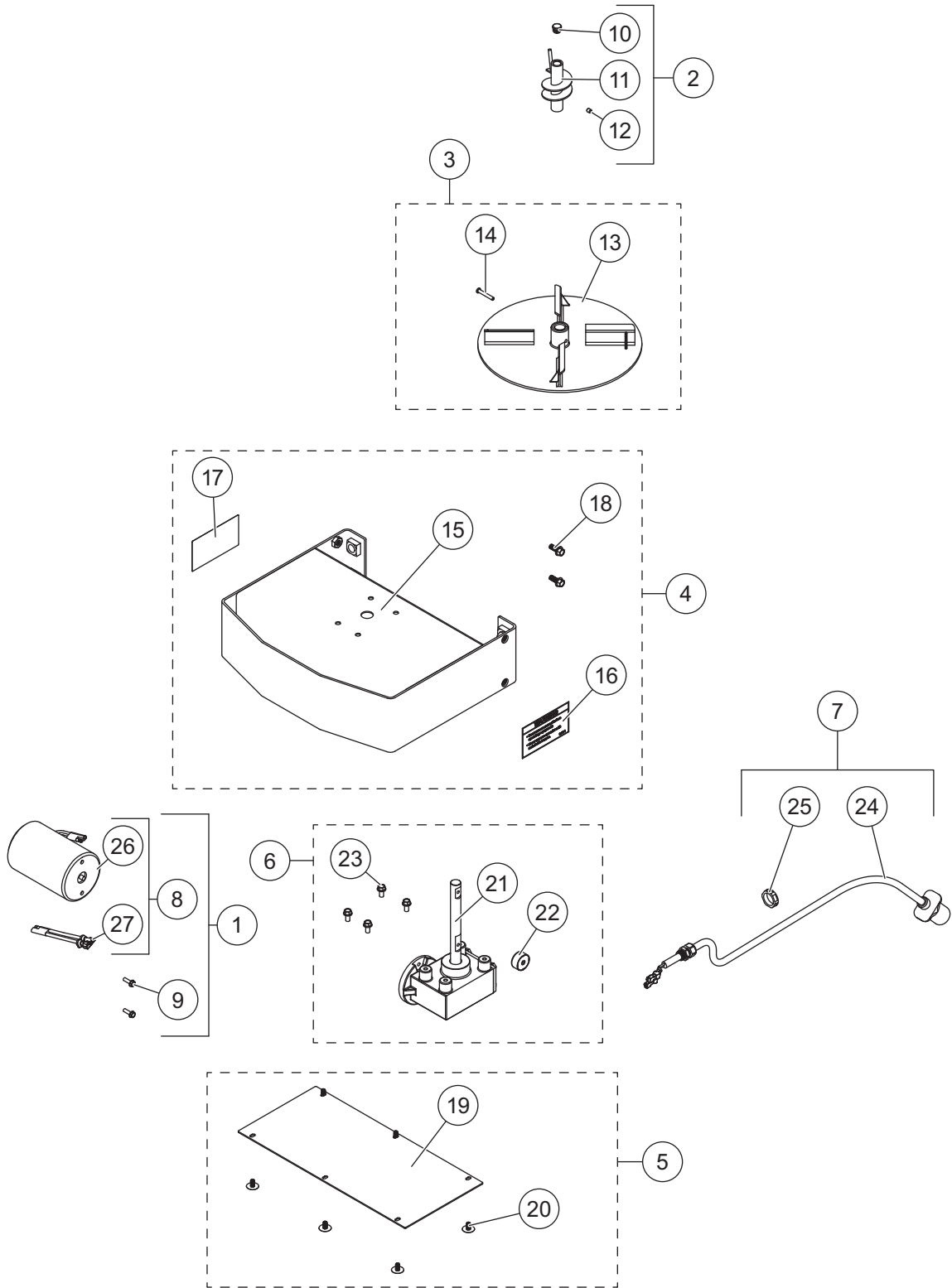


## SP-575X TAILGATE SPREADER

<b>Hopper &amp; Frame Assembly</b>							
<b>Item</b>	<b>Part</b>	<b>Qty</b>	<b>Description</b>	<b>Item</b>	<b>Part</b>	<b>Qty</b>	<b>Description</b>
1	75636	1	Top Screen, SP-575X	6	75614	1	Hopper Hardware Kit
2	75646	1	Deflector	7	75632	1	Frame Kit, SP-575X
3	75630	1	Lid Kit, SP-575X	8	75639	1	CE Shroud Kit
4	75612	1	Hopper Strap Kit	9	75633	1	Receiver Kit, SP-575X
5	75631	1	Hopper Kit, SP-575X				
<b>Item 3</b>				<b>75630 Lid Kit, SP-575X</b>			
10		1	Hopper Lid, SP-575X	12		4	#10 x 3/4 Slotted Head Cap Screw
11	D6105	2	Flexible Draw Latch				
<b>Item 4</b>				<b>75612 Hopper Strap Kit</b>			
11	D6105	2	Flexible Draw Latch	13	D6198	2	Latch Keeper
12		6	#10 x 3/4 Slotted Head Cap Screw				
<b>Item 5</b>				<b>75631 Hopper Kit, SP-575X</b>			
12		2	#10 x 3/4 Slotted Cap Screw	14		1	Hopper, SP-575X
13	D6198	2	Latch Keeper	15		1	Throat Liner SS
<b>Item 6</b>				<b>75614 Hopper Hardware Kit</b>			
16		2	3/8 Flat Washer	18		2	5/16-18 x 1-1/4 Hex Cap Screw
17		2	5/16-18 Hex Locknut GB				
<b>Item 7</b>				<b>75632 Frame Kit, SP-575X</b>			
19		1	Main Frame, SP-575X	20	D6186	1	Label – Identity, Mini Pro 575
<b>Item 8</b>				<b>75639 CE Shroud Kit</b>			
21		1	CE Shroud Tailgate	24		1	Mount Bracket, Shroud
22		3	11 mm x 28 mm x 22 mm Retainer	25		2	3/8-16 Serrated Flange Nut
23		1	Throat Clamp				
<b>Item 9</b>				<b>75633 Receiver Kit, SP-575X</b>			
26		1	Mount, Receiver	28		4	1/2-13 x 1-1/2 Serrated Flange Hex Cap Screw
27	75620	1	5/8 x 5-1/2 Hitch Pin w/Hairpin Cotter				
G = Grade				SS = Stainless Steel			

# SP-575X TAILGATE SPREADER

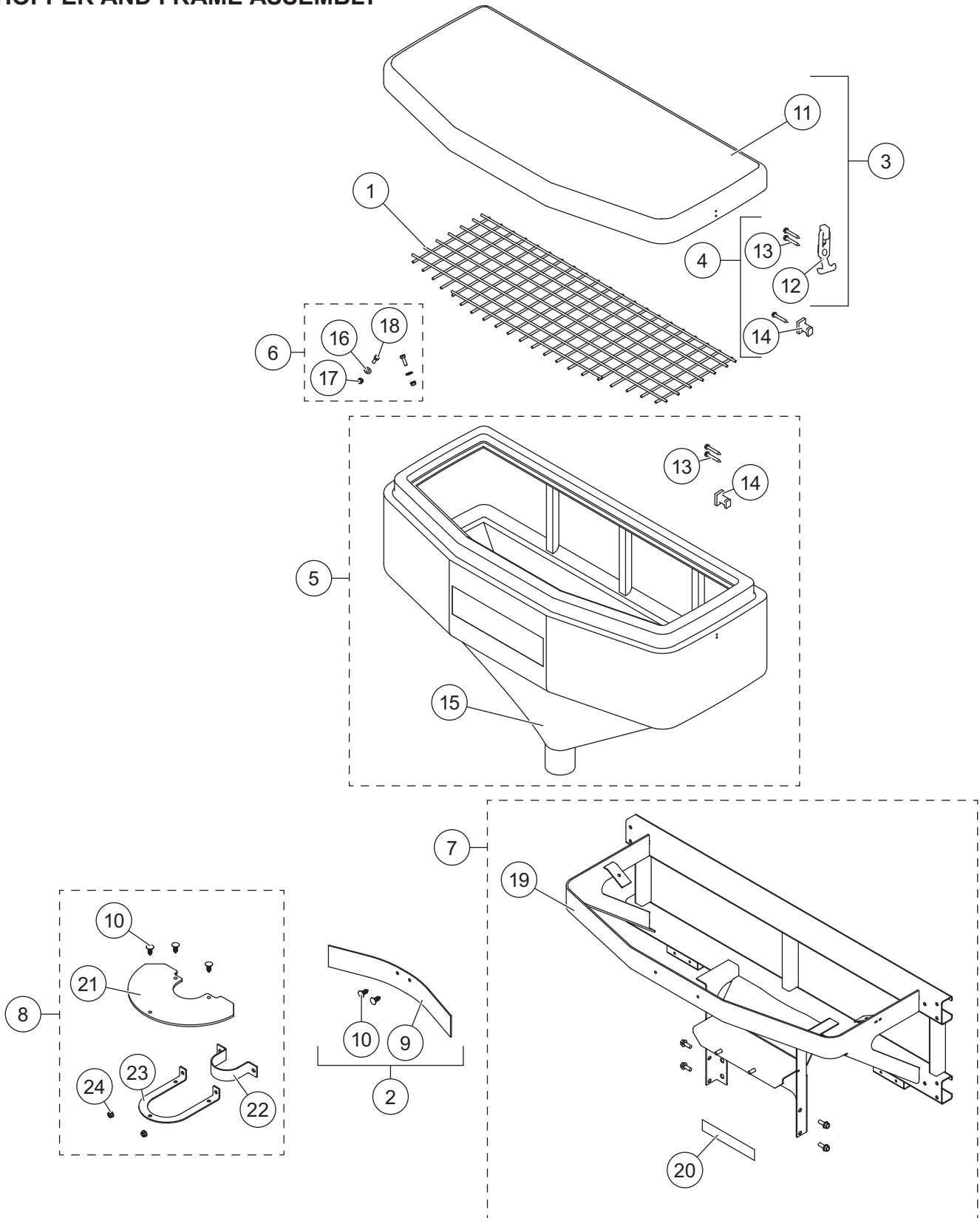
## DRIVE ASSEMBLY





# SP-1075X TAILGATE SPREADER

## HOPPER AND FRAME ASSEMBLY

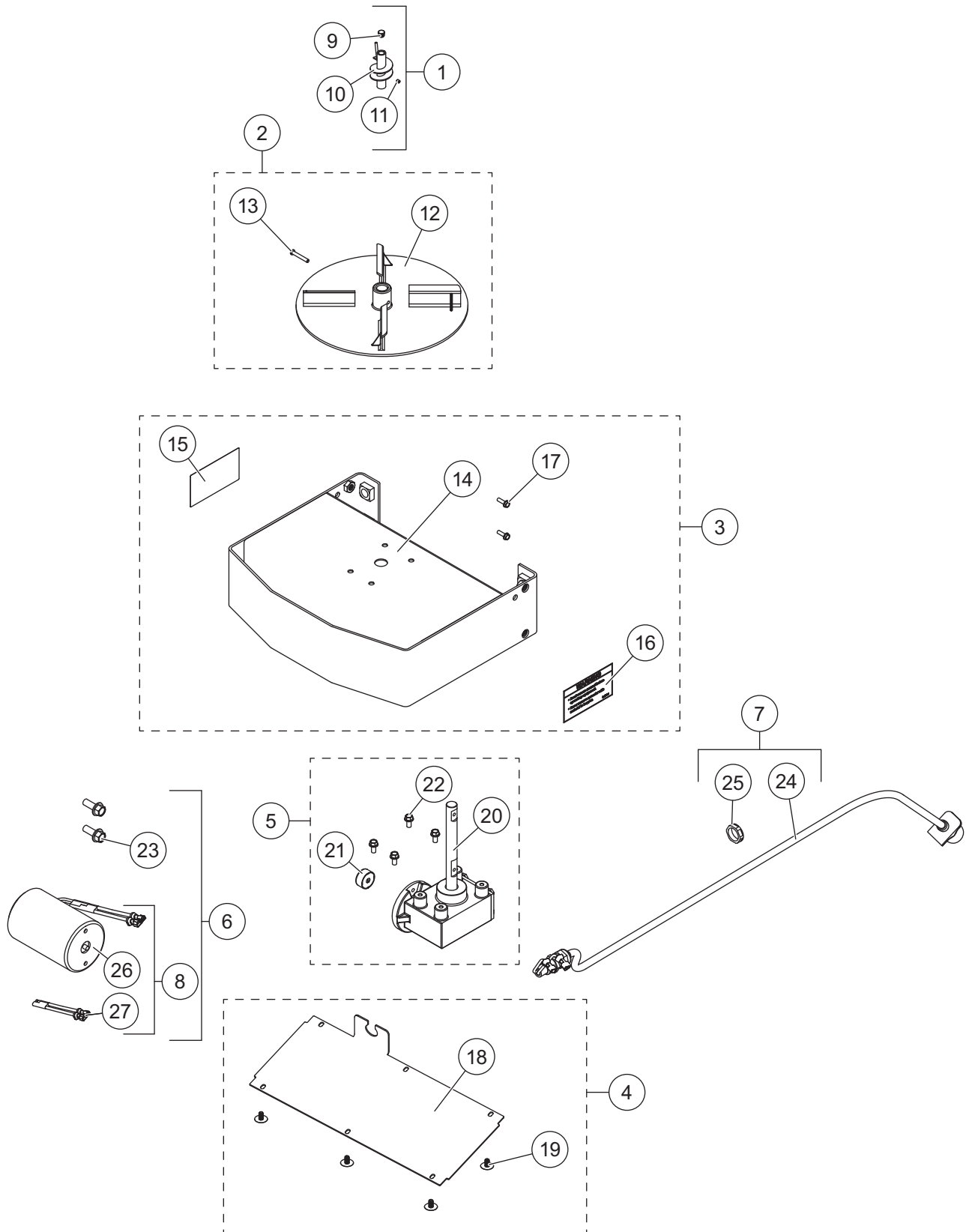


## SP-1075X TAILGATE SPREADER

<b>Hopper &amp; Frame Assembly</b>							
<b>Item</b>	<b>Part</b>	<b>Qty</b>	<b>Description</b>	<b>Item</b>	<b>Part</b>	<b>Qty</b>	<b>Description</b>
1	75642	1	Top Screen, SP-1075X	5	75643	1	Hopper Kit, SP-1075X
2	75646	1	Deflector Kit	6	75614	1	Hopper Hardware Kit
3	75645	1	Lid Kit, SP-1075X	7	75644	1	Frame Kit, SP-1075X
4	75612	1	Hopper Strap Kit	8	75639	1	CE Shroud Kit
<b>Item 2</b>				<b>75646 Deflector Kit</b>			
9	D6110	1	3 x 20 Plastic Deflector	10		2	11 mm x 28 mm x 22 mm Retainer
<b>Item 3</b>				<b>75645 Lid Kit, SP-1075X</b>			
11		1	Hopper Lid, SP-1075X	13		4	#10 x 3/4 Slotted Head Cap Screw
12		2	Flexible Draw Latch				
<b>Item 4</b>				<b>75612 Hopper Strap Kit</b>			
12	D6105	2	Flexible Draw Latch	14	D6198	2	Latch Keeper
13		6	#10 x 3/4 Slotted Head Cap Screw				
<b>Item 5</b>				<b>75643 Hopper Kit, SP-1075X</b>			
13		2	#10 x 3/4 Slotted Head Cap Screw	15		1	Hopper, SP-1075X
14		2	Latch Keeper				
<b>Item 6</b>				<b>75614 Hopper Hardware Kit</b>			
16		2	3/8 Flat Washer	18		2	5/16-18 x 1-1/4 Hex Cap Screw
17		2	5/16-18 Hex Locknut GB				
<b>Item 7</b>				<b>75644 Frame Kit, SP-1075X</b>			
19		1	Main Frame, SP-1075X	20	D6187	1	Label – Identity, Pivot Pro 1075X
<b>Item 8</b>				<b>75639 CE Shroud Kit</b>			
10		5	11 mm x 28 mm x 22 mm Retainer	23		1	Mount Bracket, Shroud
21		1	CE Shroud Tailgate	24		2	3/8-16 Serrated Flange Nut
22		1	Throat Clamp				
G = Grade							

# SP-1075X TAILGATE SPREADER

## DRIVE ASSEMBLY

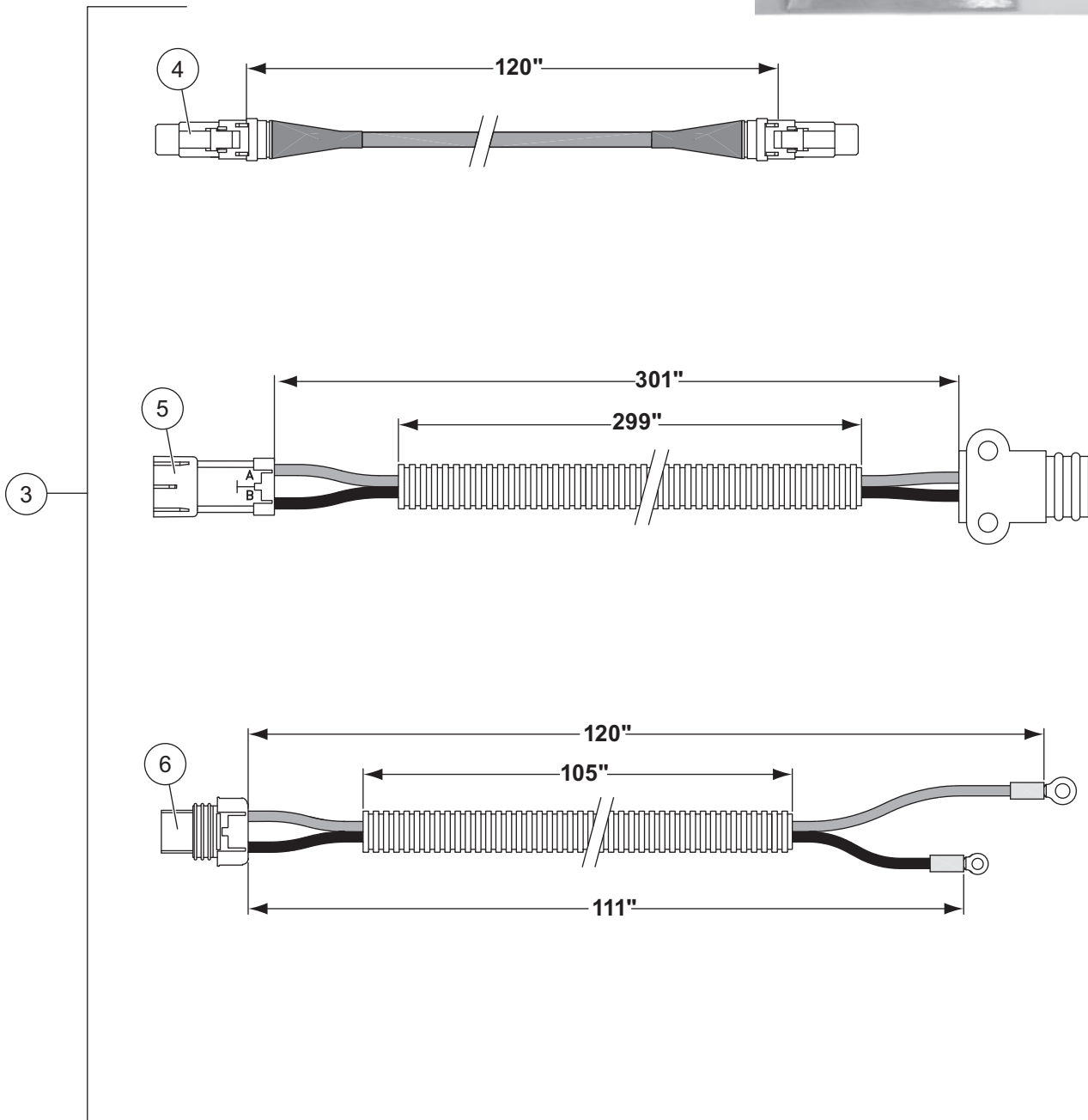
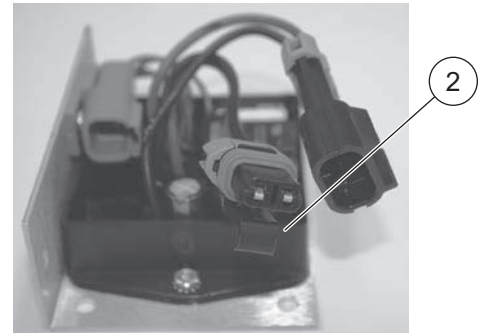
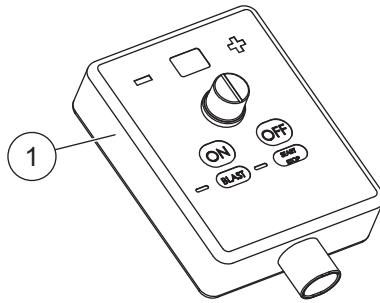


## SP-1075X TAILGATE SPREADER

<b>75699 Drive Assembly</b>							
<b>Item</b>	<b>Part</b>	<b>Qty</b>	<b>Description</b>	<b>Item</b>	<b>Part</b>	<b>Qty</b>	<b>Description</b>
1	75615	1	Auger Kit	6	75626	1	Motor Kit
2	75618	1	Spinner Kit	7	75647	1	Power Cable Kit, SP-1075X
3	75635	1	Transmission Enclosure Kit	8	D6106	1	3 x 3.8 12V DC Motor w/2-Pin Connector
4	57104	1	Transmission Enclosure Cover Kit				
5	75640	1	Transmission Kit				
<b>Item 1</b>				<b>75615 Auger Kit</b>			
9	D6191	1	Auger Cap	11		1	5/16-18 x 3/8 Set Screw
10	D6075	1	Auger				
<b>Item 2</b>				<b>75618 Spinner Kit</b>			
12	D6750	1	Spinner, Poly	13	D6746	1	3/16 x 1-1/4 Clevis Pin
<b>Item 3</b>				<b>75635 Transmission Enclosure Kit</b>			
14		1	Enclosure, Spinner Drive	17		4	3/8-16 x 1 Serrated Flange Hex Cap Screw
15	75621	1	Label – Warning, Hands & Feet				
16	75623	1	Label – Warning, Read Manual				
<b>Item 4</b>				<b>57104 Transmission Enclosure Cover Kit</b>			
18		1	Spinner Drive Enclosure Cover	19		6	1/4 x 3/4 x 1/2 Retainer Black Nylon
<b>Item 5</b>				<b>75640 Transmission Kit</b>			
20	D6107	1	Transmission 8:1	22		4	1/4-20 x 1/2 Serrated Flange Hex Cap Screw SS
21	D6232	1	Motor Drive Coupler				
<b>Item 6</b>				<b>75626 Motor Kit</b>			
8	D6106	1	3 x 3.8 12V DC Motor w/2-Pin Connector	23		2	#10-32 x 5/8 Serrated Flange Hex Cap Screw
<b>Item 7</b>				<b>75647 Power Cable Kit, SP-1075X</b>			
24	D6115	1	44-3/4 Power Cable, SP-1075X	25	D6781	1	1/2 NPT Black Nylon Nut
<b>Item 8</b>				<b>D6106 3 x 3.8 12V DC Motor w/2-Pin Connector</b>			
26	D6214	1	3 x 3.8 12V DC Motor	27	D6652	1	Motor Connector Adapter
G = Grade				SS = Stainless Steel			

# SP-575X/1075X TAILGATE SPREADER

## ELECTRICAL COMPONENTS





## SP-575X/1075X TAILGATE SPREADER

---

Electrical Components							
Item	Part	Qty	Description	Item	Part	Qty	Description
1	F50607	1	Control Pendant	3	F50869	1	Harness Kit
2	F50576	1	Control Module				
<b>Item 3</b>				<b>F50869 Harness Kit</b>			
4	F50578	1	Data Cable	6	F50580	1	Battery Harness
5	F50579	1	Vehicle Harness				



TrynEx International  
531 Ajax Drive  
Madison Heights, MI 48071-2429  
[www.snowexproducts.com](http://www.snowexproducts.com)

 A DIVISION OF DOUGLAS DYNAMICS, LLC

Copyright © 2019 Douglas Dynamics, LLC. All rights reserved. This material may not be reproduced or copied, in whole or in part, in any printed, mechanical, electronic, film, or other distribution and storage media, without the written consent of TrynEx International, LLC. Authorization to photocopy items for internal or personal use by TrynEx International outlets or spreader owner is granted.

TrynEx International reserves the right under its product improvement policy to change construction or design details and furnish equipment when so altered without reference to illustrations or specifications used. TrynEx International or the vehicle manufacturer may require or recommend optional equipment for spreaders. Do not exceed vehicle ratings with a spreader. TrynEx International offers a limited warranty for all spreaders and accessories. See separately printed page for this important information. The following is a registered (®) trademark of Douglas Dynamics, LLC: SnowEx®.

**Printed in U.S.A.**