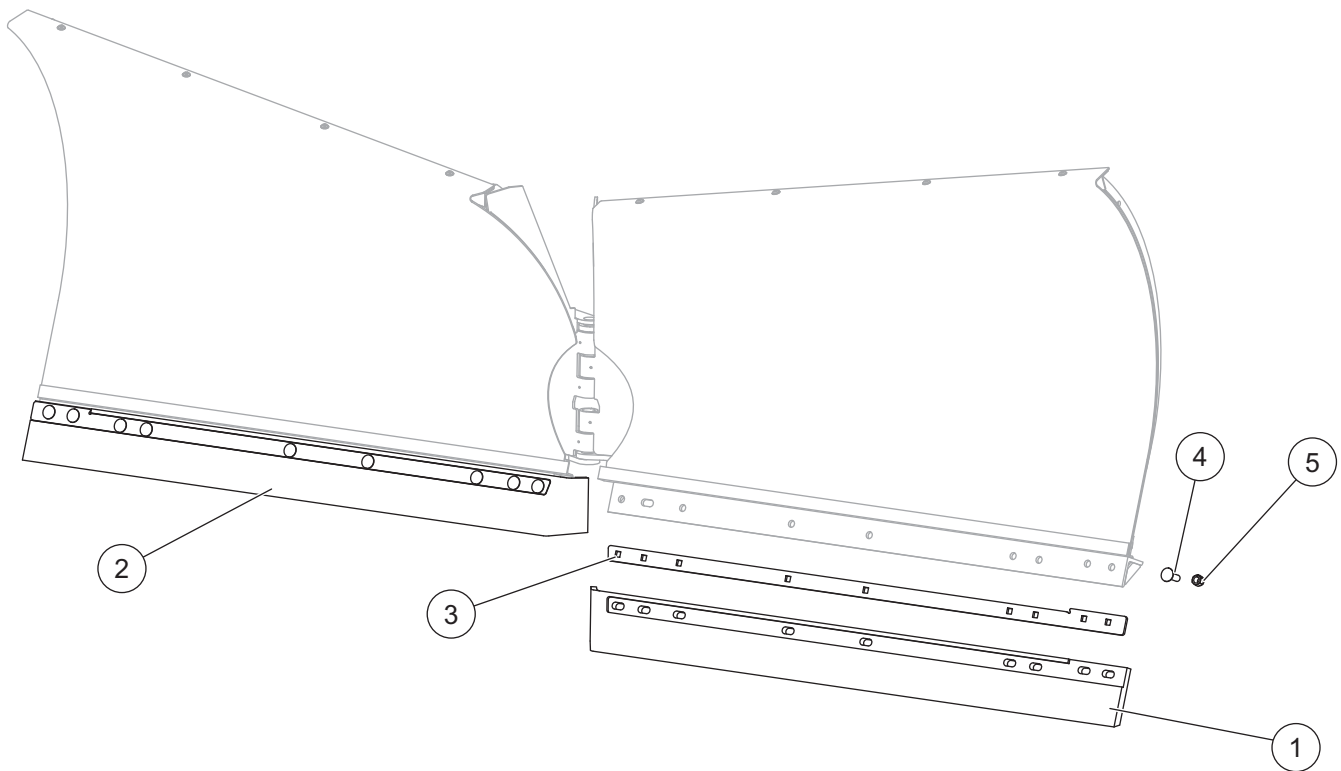


Poly Cutting Edge Kit

V-Plow Snowplows

PARTS LIST



86880, 86883, 79961 Poly Cutting Edge Kit							
Item	Part	Qty	Description	Item	Part	Qty	Description
1	90416	1	Cutting Edge, Poly, 9'6" – DS	3	86863	2	Poly Cutting Edge Bar, 9'6"
	90414	1	Cutting Edge, Poly, 8'6" – DS		86864	2	Poly Cutting Edge Bar, 8'6"
	90413	1	Cutting Edge, Poly, 7'6" – DS		86843	2	Poly Cutting Edge Bar, 7'6"
2	90433	1	Cutting Edge, Poly, 9'6" – PS	ns	86852	1	Bolt Bag
	90437	1	Cutting Edge, Poly, 8'6" – PS				
	90438	1	Cutting Edge, Poly, 7'6" – PS				
86852 Bolt Bag							
4		14	5/8-11 x 2-1/2 Carriage Bolt G5	5		14	5/8-11 Hex Locknut GB
ns = not shown				G = Grade			

INSTALLATION INSTRUCTIONS

⚠ WARNING

Do not exceed GVWR or GAWR, including blade and ballast.

⚠ WARNING

Blade can drop unexpectedly. Place T-frame on jack stands. Failure to do so could result in serious personal injury.

⚠ CAUTION

Read this document before installing the poly cutting edge kit.

⚠ CAUTION

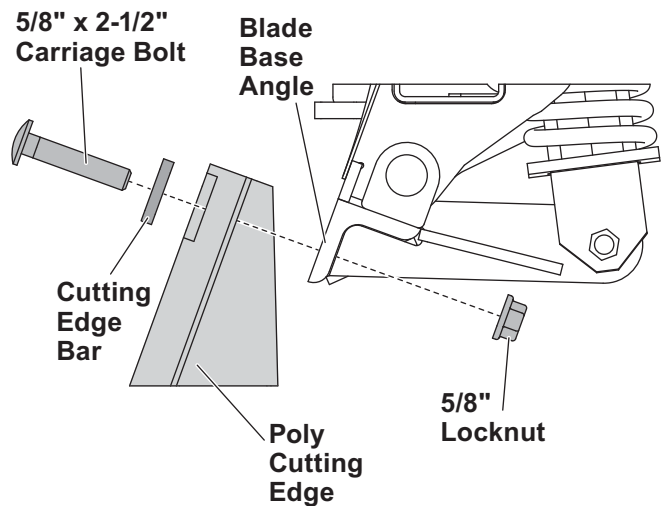
Use standard methods and practices when attaching snowplow and installing accessories, including proper personal protective safety equipment.

⚠ CAUTION

See your SnowEx® outlet/website for specific vehicle application recommendations before installation. The Power Match selection system has specific vehicle and snowplow requirements.

1. Park the vehicle on a smooth, level, hard surface, such as concrete. Raise the blade and adjust it into the vee position.
2. Turn the control OFF. From the side of the blade assembly, place jack stands under the T-frame.

3. Turn the control ON and lower the blade so that the T-frame rests securely on the jack stands. Turn the control OFF. Turn the vehicle ignition to the "OFF" position and remove the key.
4. Remove the existing blade cutting edges, center cutting edges, and curb guards and fasteners from the blade.
5. Insert the supplied 5/8" x 2-1/2" carriage bolts through the cutting edge bar, cutting edge, and blade base angle. Install a 5/8" locknut onto each carriage bolt and tighten to 50 ft-lb.



6. Repeat Steps 4 and 5 on the other side.
7. Turn the vehicle ignition and snowplow control ON. Raise the blade slightly. Turn the control OFF and remove the jack stands.
8. Stand 8 feet clear of the blade, and lower the blade to the ground.

Copyright © 2021 Douglas Dynamics, LLC. All rights reserved. This material may not be reproduced or copied, in whole or in part, in any printed, mechanical, electronic, film, or other distribution and storage media, without the written consent of TrynEx International, LLC. Authorization to photocopy items for internal or personal use by TrynEx International outlets or snowplow owner is granted.

TrynEx International reserves the right under its product improvement policy to change construction or design details and furnish equipment when so altered without reference to illustrations or specifications used. TrynEx International or the vehicle manufacturer may require or recommend optional equipment for snow removal. Do not exceed vehicle ratings with a snowplow. TrynEx International offers a limited warranty for all snowplows and accessories. See separately printed page for this important information. The following is a registered (®) trademark of Douglas Dynamics, LLC: SnowEx®.

Printed in U.S.A.