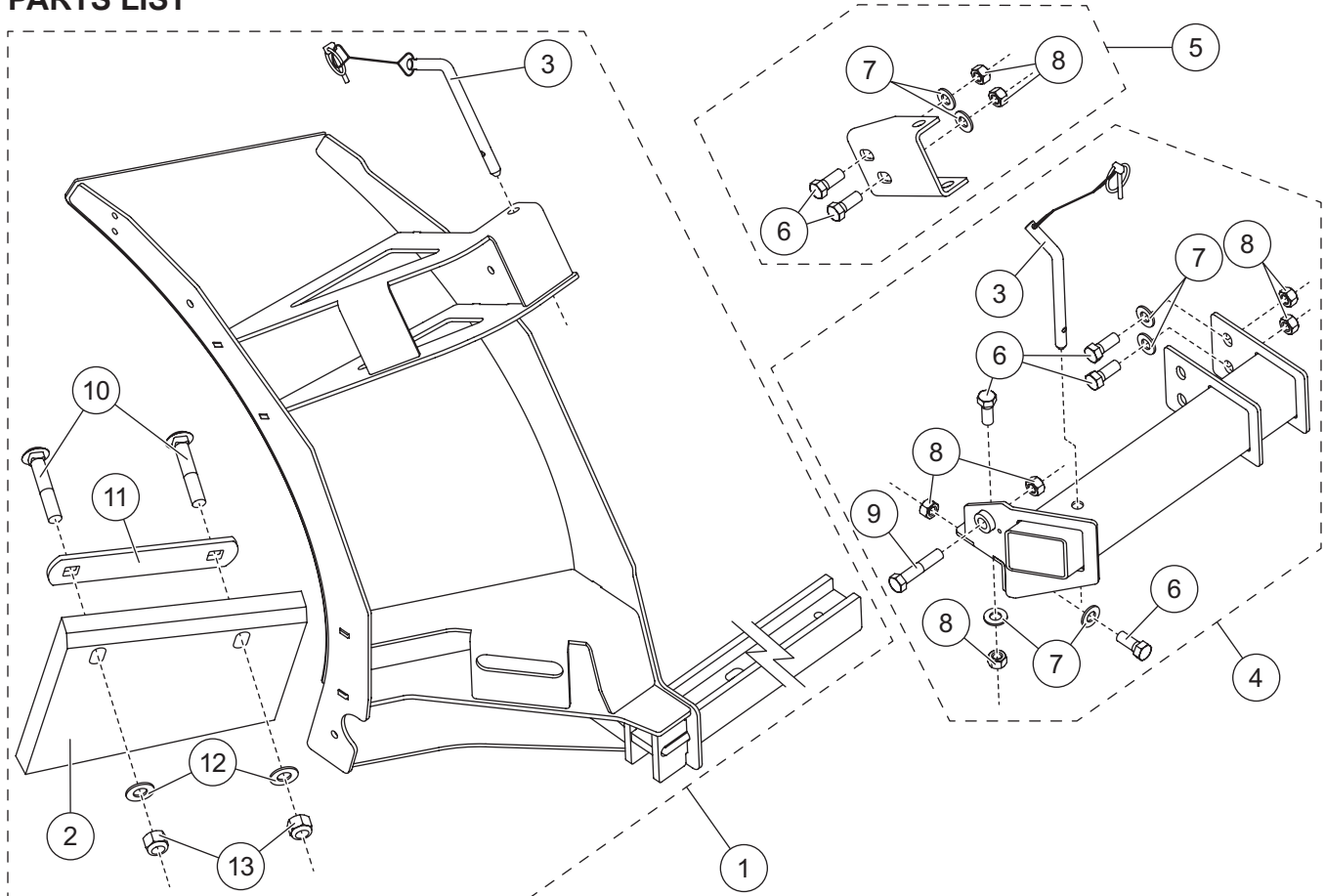


## Blade Wing Extension Kit HD Series Snowplows

### PARTS LIST



#### 84575 Blade Wing Extension Kit

Item	Part	Qty	Description	Item	Part	Qty	Description
1	84803	1	Blade Wing Extension – DS	ns	84808	1	Upper Mounting Bracket – PS
ns	84804	1	Blade Wing Extension – PS	6		12	1/2-13 x 1-1/4 Hex Cap Screw G5
2	41964	1	Cutting Edge – DS	7		8	1/2 Hardened Flat Washer
ns	41965	1	Cutting Edge – PS	8		14	1/2-13 Hex Locknut GB
3	63565	4	Stand Pin Assembly	9		2	1/2-13 x 2-1/4 Hex Cap Screw G8
4	84805	1	Lower Mounting Bracket – DS	ns	84525	1	Blade Guide Kit
ns	84806	1	Lower Mounting Bracket – PS	ns	84896	1	Bolt Bag – Cutting Edge
5	84807	1	Upper Mounting Bracket – DS				
<b>84896 Bolt Bag – Cutting Edge</b>							
10		4	5/8-11 x 3-1/2 Carriage Bolt G5	12		4	5/8 Flat Washer
11	41978	2	Cutting Edge Brace	13		4	5/8-11 Hex Locknut GB
ns = not shown				G = Grade			

## INSTALLATION INSTRUCTIONS

### ⚠ WARNING

Do not exceed GVWR or GAWR, including blade and ballast. The rating label is found on the driver-side vehicle door cornerpost.

### ⚠ CAUTION

Read this document before installing the blade wing extension kit.

### ⚠ CAUTION

Use standard methods and practices when attaching snowplow and installing accessories, including proper personal protective safety equipment.

### ⚠ CAUTION

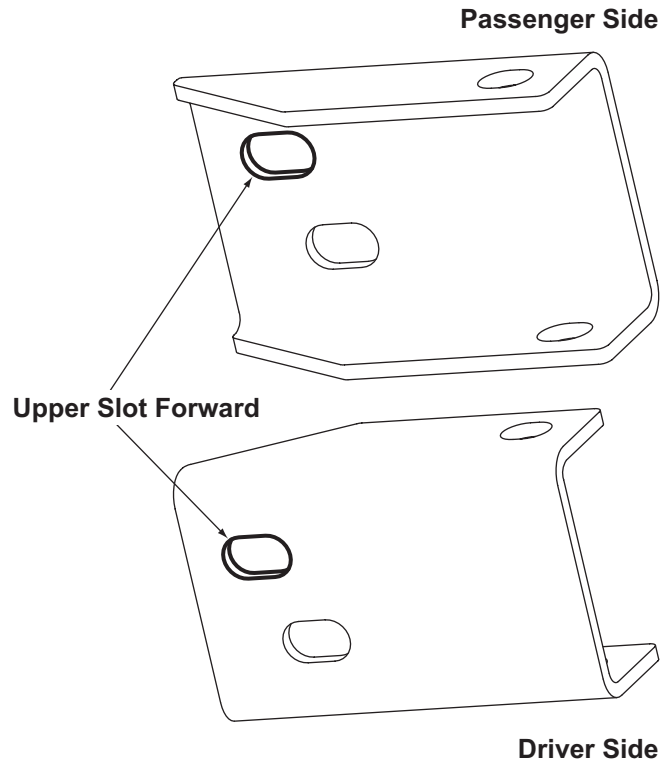
See your SnowEx® outlet/website for specific vehicle application recommendations before installation. The Power Match selection system has specific vehicle and snowplow requirements.

For best results, wing extensions should be installed only on a blade equipped with a new cutting edge. Adding wing extensions to a blade with a worn main cutting edge can result in poor blade and/or wing cutting edge performance.

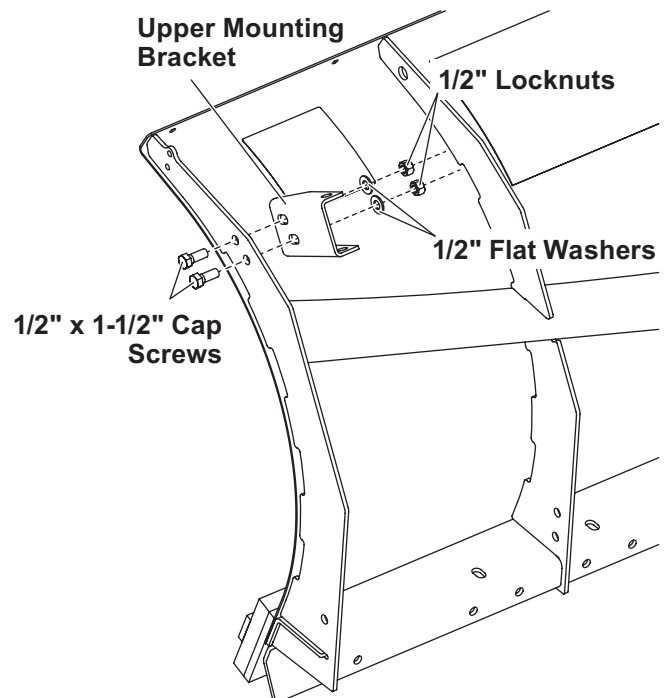
1. Park the vehicle on a smooth, level, hard surface, such as concrete. Lower the blade to the ground, and turn the control OFF. Disconnect the snowplow from the vehicle, or turn the vehicle ignition to the "OFF" position and remove the key.

It may be necessary to rest the cutting edge on a piece of wood so the blade is raised slightly off the ground.

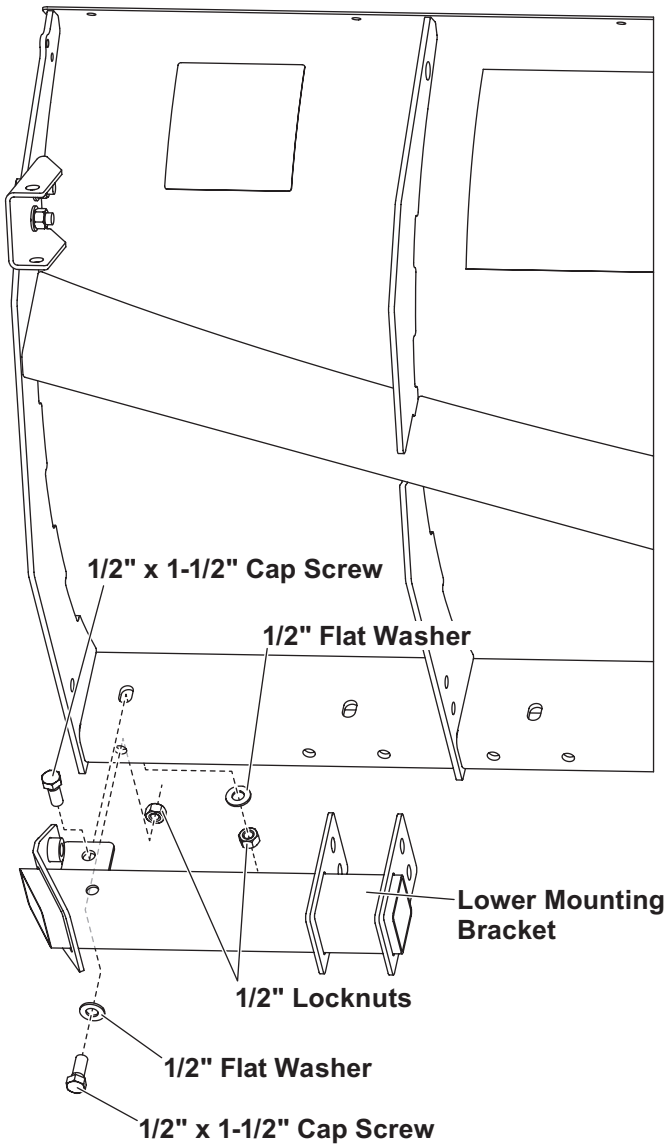
2. Align the holes in the appropriate upper mounting bracket with the holes in an outer blade rib. When properly aligned, the upper slot should be forward.



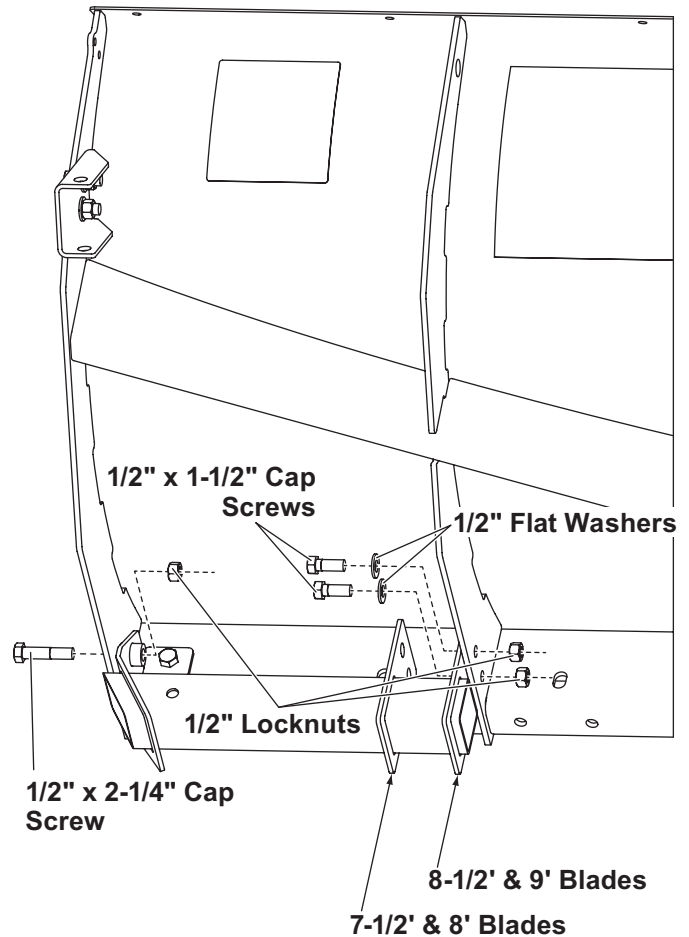
3. Attach the upper mounting bracket to the blade rib using two 1/2" x 1-1/2" cap screws, 1/2" flat washers and 1/2" locknuts. Tighten the fasteners until finger tight.



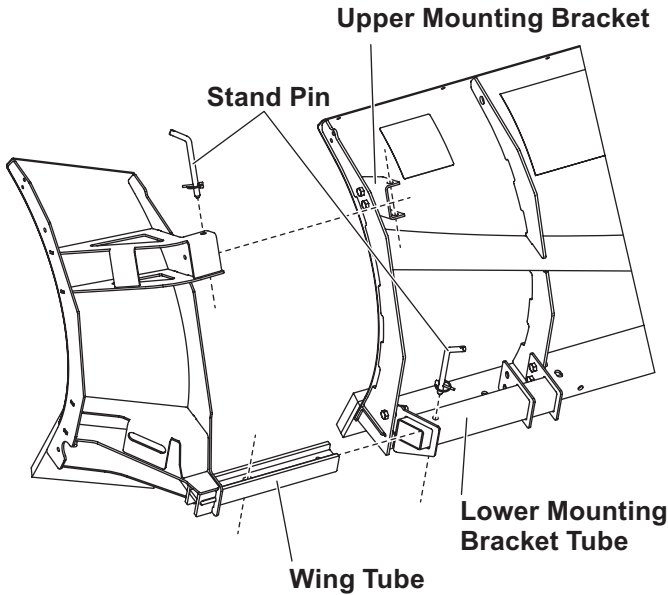
4. Align the holes in the lower mounting bracket with the holes in the lower formed channel. Secure the lower mounting bracket to the blade using two 1/2" x 1-1/2" cap screws, 1/2" flat washers and 1/2" locknuts as shown. Tighten the fasteners until finger tight.



5. Secure the bracket to the two outside blade ribs using a 1/2" x 2-1/4" cap screw and locknut on the outermost rib and bracket bushing. Use two 1/2" x 1-1/2" cap screws, 1/2" flat washers and 1/2" locknuts to secure the other end of the bracket to the next rib. The blade size will determine which plate on the lower mounting bracket aligns with the rib, as shown.

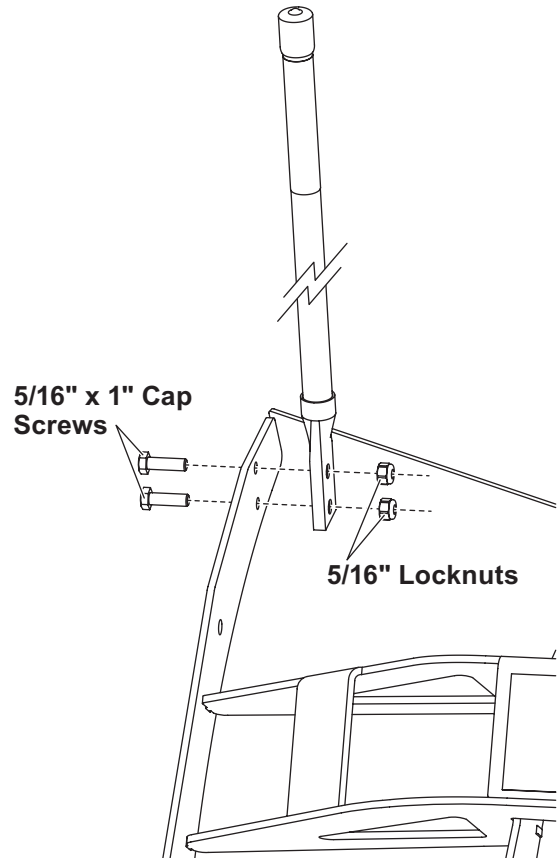


6. Insert the wing tube into the lower mounting bracket tube. Slide the wing into the tube until the stand pin holes in the wing assembly align with the corresponding holes in the mounting brackets. Install the 1/2" x 5-1/2" stand pins through the upper and lower bracket holes. Secure the pins with the attached linchpins.



7. Tighten the mounting bracket fasteners to 75 ft-lb.

8. Secure the blade guide rod to the outermost rib on the wing with two 5/16" x 1" cap screws and locknuts.



9. Torque both fasteners to 18 ft-lb.
10. Repeat Steps 2–9 for the other wing.

Copyright © 2017 Douglas Dynamics, LLC. All rights reserved. This material may not be reproduced or copied, in whole or in part, in any printed, mechanical, electronic, film or other distribution and storage media, without the written consent of TrynEx International, LLC. Authorization to photocopy items for internal or personal use by TrynEx International, LLC outlets or snowplow owner is granted.

TrynEx International, LLC reserves the right under its product improvement policy to change construction or design details and furnish equipment when so altered without reference to illustrations or specifications used. TrynEx International, LLC or the vehicle manufacturer may require or recommend optional equipment for snow removal. Do not exceed vehicle ratings with a snowplow. TrynEx International, LLC offers a limited warranty for all snowplows and accessories. See separately printed page for this important information. The following are registered (®) trademarks of Douglas Dynamics, LLC: Automatixx®, SnowEx®.