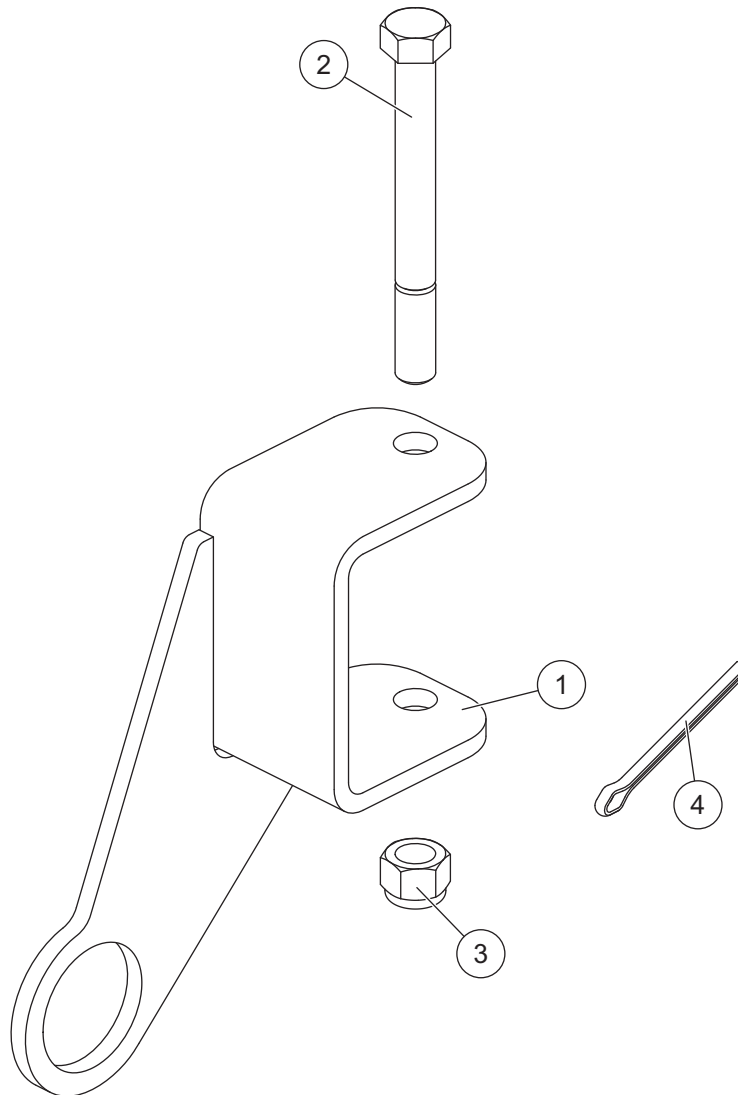


Lift Frame Update Kit

RD Snowplows

PARTS LIST


84790 Lift Frame Update Kit – RD Snowplows							
Item	Part	Qty	Description	Item	Part	Qty	Description
1		1	Support – Stand Pin	3		1	3/8 Hex Locknut GB
2		1	3/8-16 x 3-1/2 Hex Cap Screw G5	4		1	5/32 x 1-1/2 Cotter Pin

G = Grade

INSTALLATION INSTRUCTIONS

⚠ WARNING

Do not exceed GVWR or GAWR, including blade and ballast. The rating label is found on the driver-side vehicle door cornerpost.

⚠ WARNING

Snowplow can drop unexpectedly. Place jack stands under the rear of the A-frame. Failure to do so could result in serious personal injury.

⚠ CAUTION

Read this document before installing the Lift Frame Update Kit.

⚠ CAUTION

Use standard methods and practices when attaching snowplow and installing accessories, including proper personal protective safety equipment.

⚠ CAUTION

See your SnowEx® outlet/website for specific vehicle application recommendations before installation. The Power Match selection system has specific vehicle and snowplow requirements.

Installation for Attached Snowplow (See page 4 if snowplow is on pallet.)

1. Park the vehicle on a smooth, level, hard surface, such as concrete. Turn the control ON and lower the blade to the ground. Turn the control OFF. Turn the vehicle ignition to the "OFF" position and remove the key.
2. Detach the snowplow from the vehicle according to the detach instructions on the blade label and in the Owner's Manual.
3. Position the jack stands under the back of the A-frame.

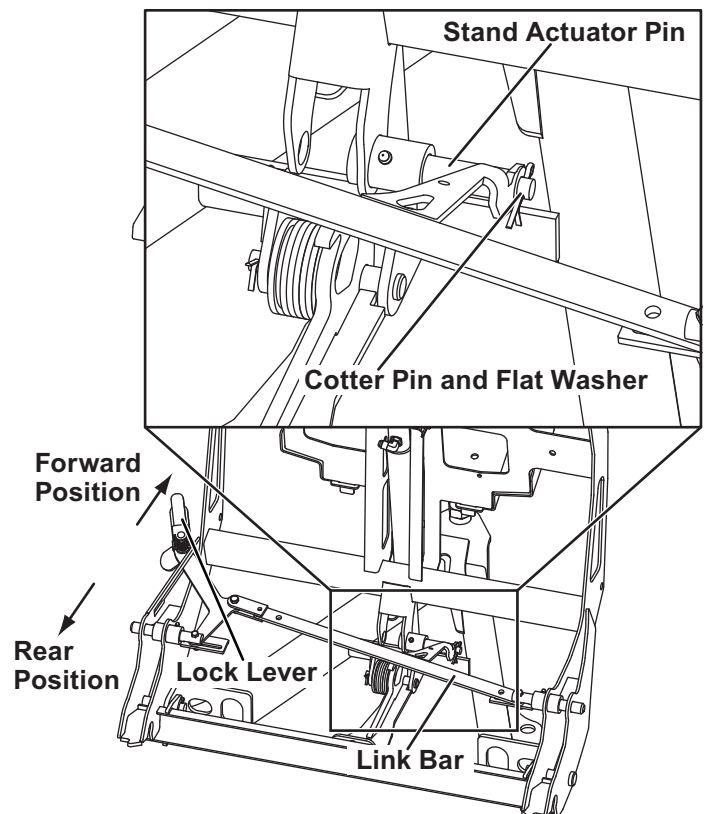
⚠ WARNING

Snowplow can drop unexpectedly. Do not move the stand actuator pin when performing steps 4–7. Doing so could result in serious personal injury.

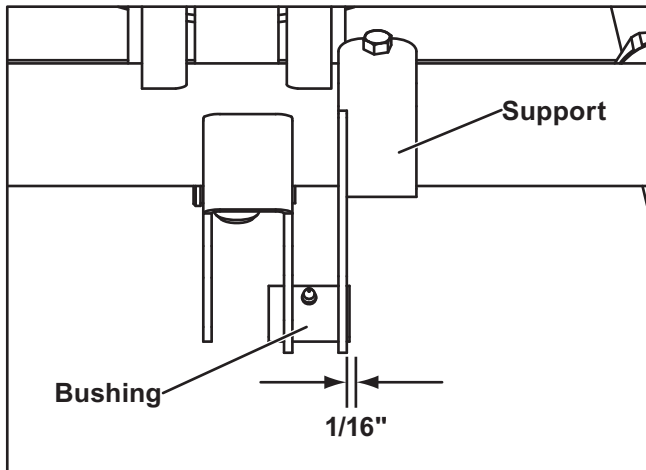
⚠ CAUTION

The stand is spring-loaded and will move rapidly upward when the lock lever is moved into the forward position. Keep all body parts clear.

4. Remove the cotter pin and flat washer securing the link bar to the stand actuator pin. Depress and move the lock lever to the forward position to disengage the link bar from the stand actuator pin. Retain the flat washer for reassembly.

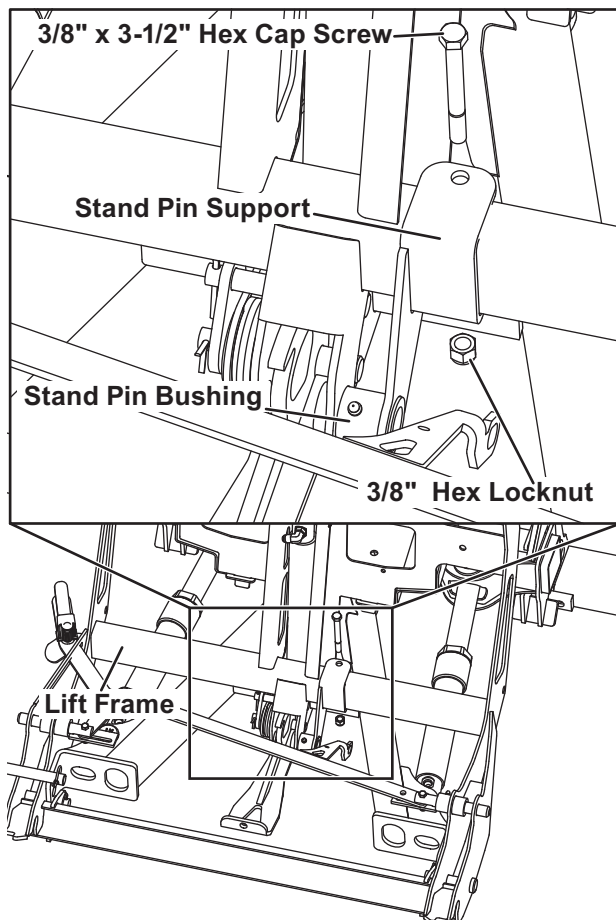


- Position the support around the rectangular tube of the lift frame. Insert the stand pin bushing through the large hole in the support by sliding the support toward the driver's side. The bushing must extend $1/16$ " beyond the passenger-side face of the support as shown.



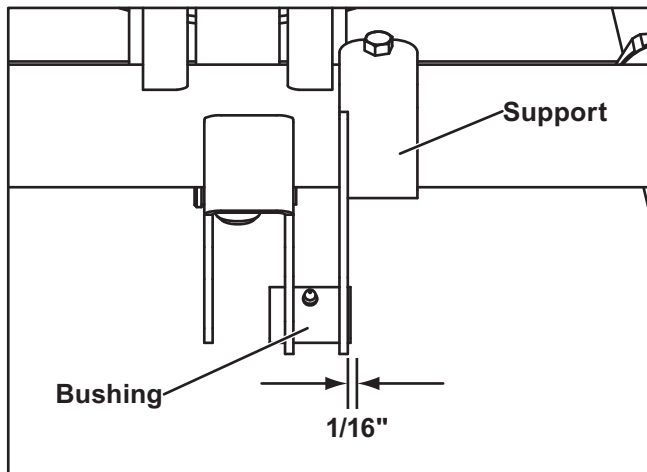
- Depress and move the lock lever into the rear position while guiding the hole in the link bar over the end of the stand actuator pin. Attach the link bar to the stand actuator pin using the original flat washer and the new cotter pin.
- Remove the jack stands.

- Insert the $3/8$ " x $3-1/2$ " cap screw through the holes in the support and attach with the $3/8$ " locknut. Tighten to 25 ft-lb of torque.

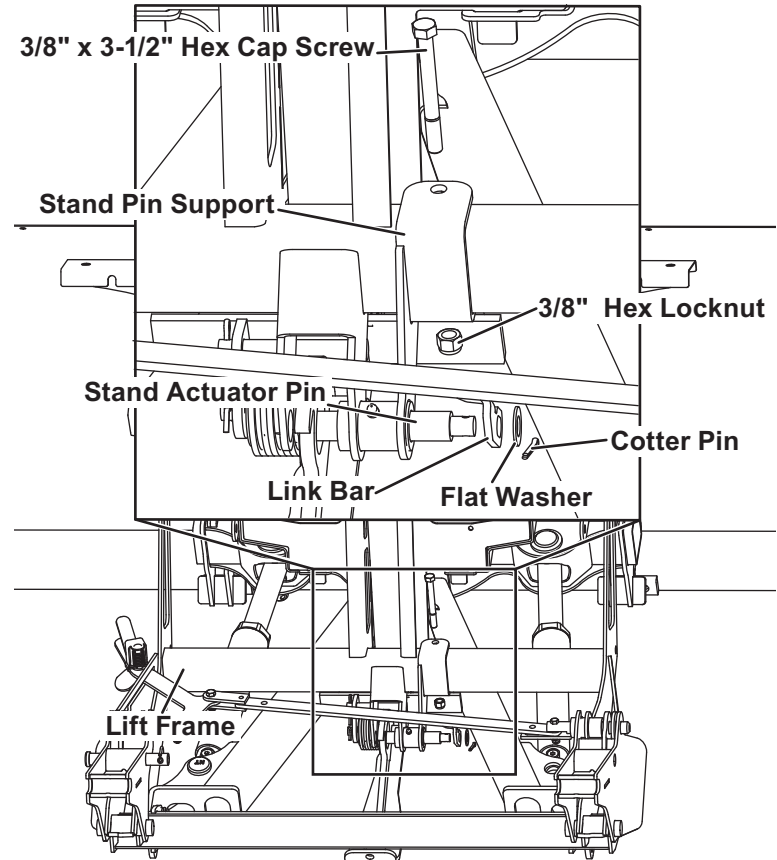


Installation for Pallet-Packed Snowplow

1. Remove the cotter pin and flat washer securing the link bar to the stand actuator pin. Push the stand actuator pin toward the driver's side to disengage the link bar from the stand actuator pin. Retain the flat washer for reassembly.
2. Position the support around the rectangular tube of the lift frame. Insert the stand pin bushing through the large hole in the support by sliding the support toward the driver's side. The bushing must extend $1/16$ " beyond the passenger-side face of the support as shown.



3. Insert the $3/8$ " x $3-1/2$ " cap screw through the holes in the support and attach with the $3/8$ " locknut. Tighten to 25 ft-lb of torque.



4. Move the stand actuator pin back toward the passenger's side and attach the link bar to the stand actuator pin with the original flat washer and the new cotter pin.

Copyright © 2015 Douglas Dynamics, LLC. All rights reserved. This material may not be reproduced or copied, in whole or in part, in any printed, mechanical, electronic, film or other distribution and storage media, without the written consent of TrynEx International, LLC. Authorization to photocopy items for internal or personal use by TrynEx International, LLC outlets or snowplow owner is granted.

TrynEx International, LLC reserves the right under its product improvement policy to change construction or design details and furnish equipment when so altered without reference to illustrations or specifications used. TrynEx International, LLC or the vehicle manufacturer may require or recommend optional equipment for snow removal. Do not exceed vehicle ratings with a snowplow. TrynEx International, LLC offers a limited warranty for all snowplows and accessories. See separately printed page for this important information. The following is a registered (®) trademark of Douglas Dynamics, LLC: SnowEx®.

Printed in U.S.A.