

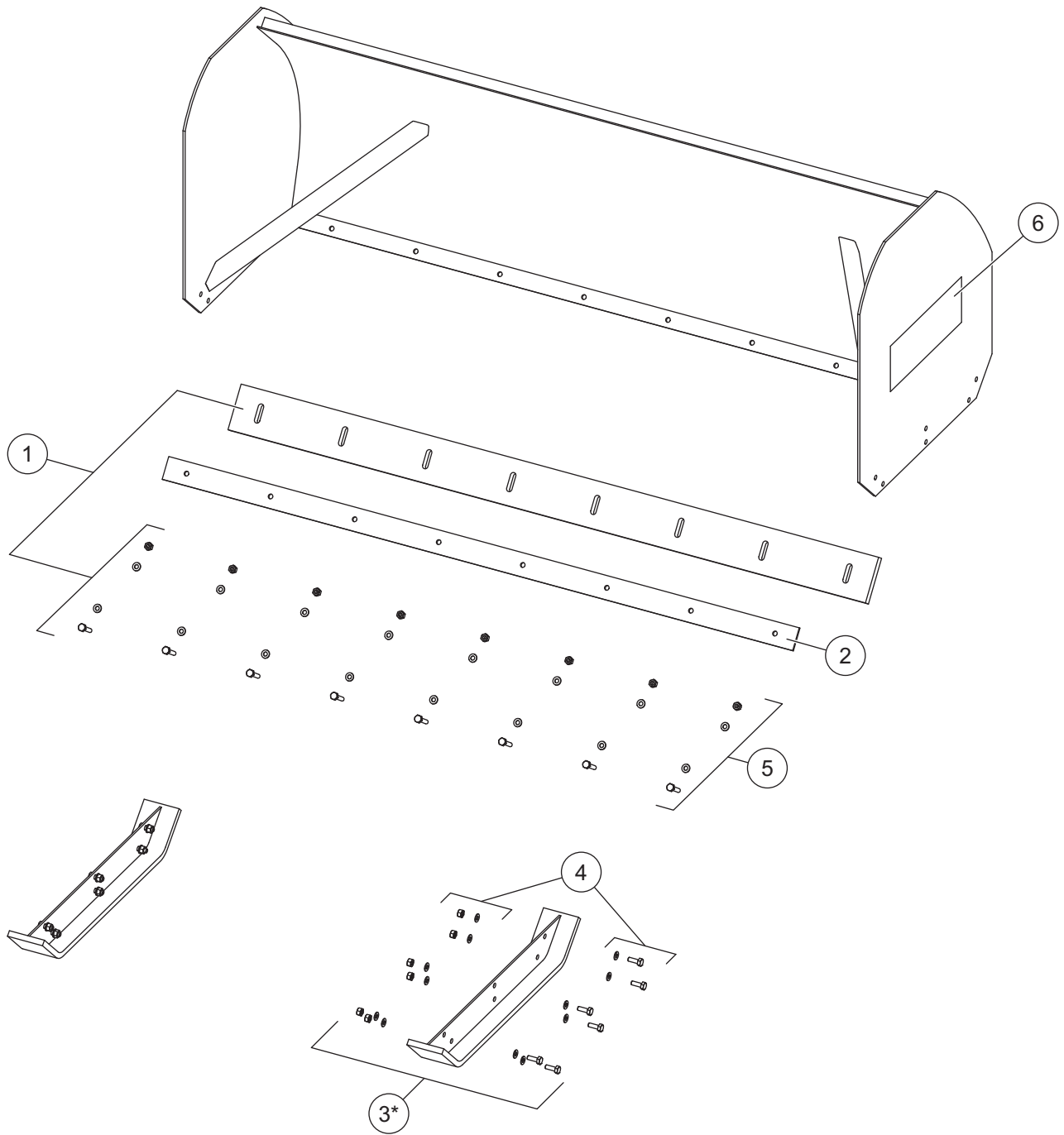


POWER PUSHER™ Snowplow

8' – 77880; 10' – 77885;
Box Plow for Skid-Steer Loaders
Parts List



Blade Components



77880/77885 Blade Components							
Item	Part	Qty	Description	Item	Part	Qty	Description
1	72061	1	8' Rubber Cutting Edge Kit (incl. item 5)	5	72074	1	Cutting Edge Hardware Kit
	72062	1	10' Rubber Cutting Edge Kit (incl. item 5)	6	72043	2	Label – Logo, POWER PUSHER™
2	72072	1	8' Bolting Bar	ns	72049*†	2	Wear Shoe Kit – Super Duty (incl. item 4)
	72073	1	10' Bolting Bar	ns	72052*†	2	Wear Shoe Kit – Self Leveling, Standard (incl. item 4)
3	72047*	2	Wear Shoe Kit – Standard (incl. item 4)	ns	72054*†	2	Wear Shoe Kit – Self Leveling, Super Duty (incl. item 4)
4	72063	2	Wear Shoe Hardware Kit	ns	72069†	1	Level Gauge
Item 4				72063 Wear Shoe Hardware Kit			
		6	5/8-11 x 2 Hex Cap Screw G5			12	5/8 Flat Washer
		6	5/8-11 Hex Locknut GB				
Item 5				72074 Cutting Edge Hardware Kit			
		10‡	1/2-13 x 2-1/2 Hex Cap Screw G5			20‡	1/2 Flat Washer
		10‡	1/2-13 Hex Locknut GB				
ns = not shown				G = Grade			

* Single shoe per kit.

† Accessory only.

‡ Not all fasteners used for all blade sizes.



TrynEx International, LLC
531 Ajax Drive
Madison Heights, MI 48071-2429
www.snowexproducts.com

 A DIVISION OF DOUGLAS DYNAMICS, LLC

Copyright © 2020 Douglas Dynamics, LLC. All rights reserved. This material may not be reproduced or copied, in whole or in part, in any printed, mechanical, electronic, film, or other distribution and storage media, without the written consent of TrynEx International, LLC. Authorization to photocopy items for internal or personal use by TrynEx International outlets or snowplow owner is granted.

TrynEx International reserves the right under its product improvement policy to change construction or design details and furnish equipment when so altered without reference to illustrations or specifications used. TrynEx International or the vehicle manufacturer may require or recommend optional equipment for snow removal. Do not exceed vehicle ratings with a snowplow. TrynEx International offers a limited warranty for all snowplows and accessories. See separately printed page for this important information. The following are registered (®) or unregistered (™) trademarks of Douglas Dynamics, LLC: POWER PUSHER™, SnowEx®.

Printed in U.S.A.