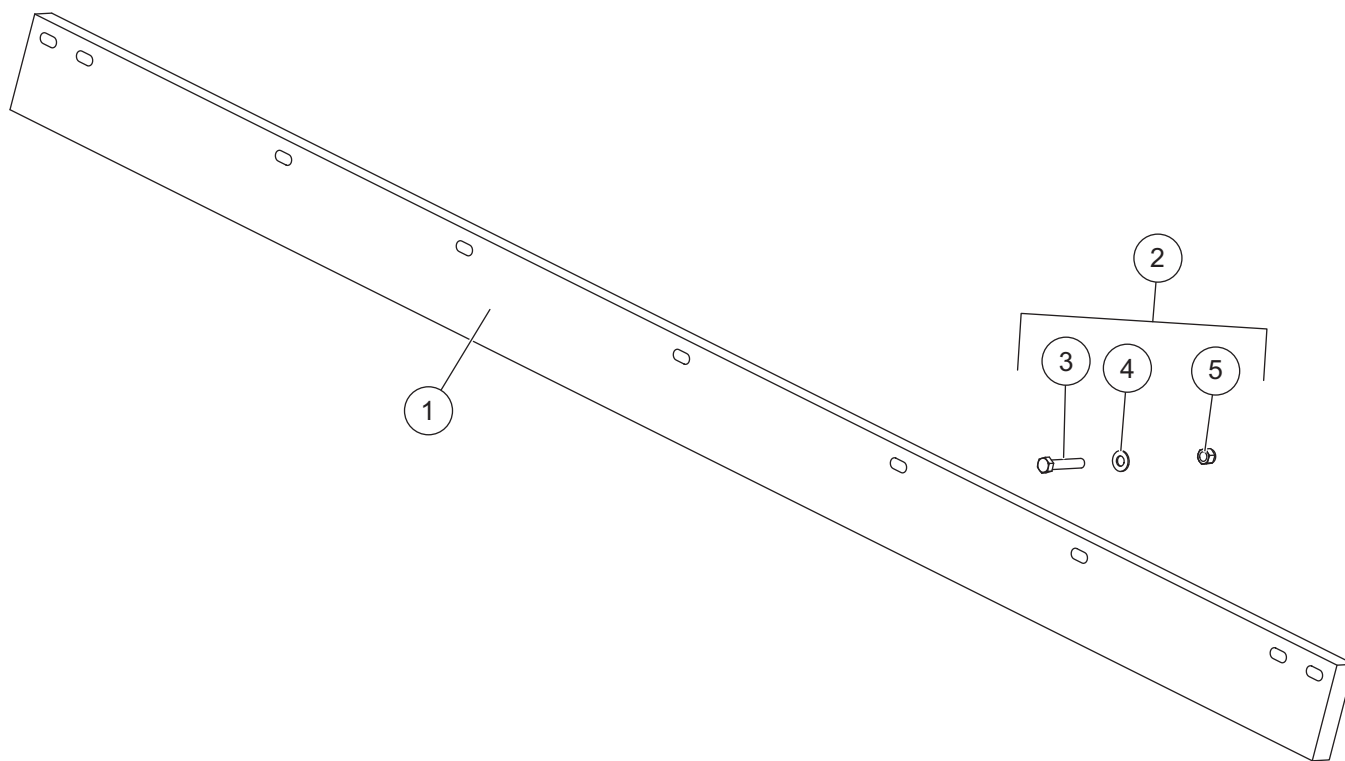


Poly Cutting Edge Kit

UTV Straight Blade Snowplow

PARTS LIST



91210 UTV Straight Blade Poly Cutting Edge Kit – 5'6"							
Item	Part	Qty	Description	Item	Part	Qty	Description
1	91092	1	Poly Cutting Edge, UTV SB – 5'6"	2	91270	1	Bolt Bag
91270 Bolt Bag							
3		9	3/8-16 x 2 Hex Cap Screw G5	5		9	3/8-16 Hex Locknut GB
4		9	3/8 Washer				
G = Grade							

INSTALLATION INSTRUCTIONS

⚠ WARNING
 Do not exceed GVWR or GAWR, including blade and ballast.

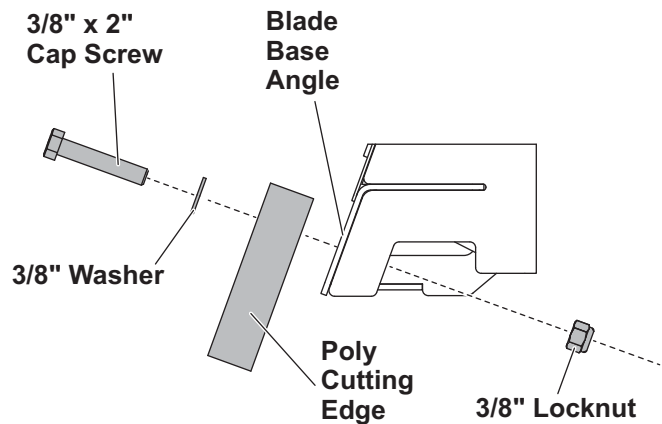
⚠ WARNING
 Blade can drop unexpectedly. Place angle frame on jack stands. Failure to do so could result in serious personal injury.

⚠ CAUTION
 Read this document before installing the poly cutting edge kit.

⚠ CAUTION
 Use standard methods and practices when attaching snowplow and installing accessories, including proper personal protective safety equipment.

1. Park the vehicle on a smooth, level, hard surface, such as concrete. Raise the blade, then unplug the control. From the side of the blade assembly, place jack stands under the angle frame.

2. Plug in the control and lower the blade so the angle frame rests securely on the jack stands. Unplug the control. Turn the vehicle ignition to the "OFF" position and remove the key.
3. Remove the existing cutting edge and fasteners from the blade.
4. Install 3/8" washers on the supplied 3/8" x 2" cap screws. Insert the cap screws with washers through the cutting edge and blade base angle. Install a 3/8" locknut onto each cap screw. Torque the fasteners to 50 ft-lb.



5. Turn the vehicle ignition ON and plug in the control. Raise the blade slightly. Unplug the control and remove the jack stands.
6. Stand 8 feet clear of the blade, plug in the control, and lower the blade to the ground.

The company reserves the right under its product improvement policy to change construction or design details and furnish equipment when so altered without reference to illustrations or specifications used. This equipment manufacturer or the vehicle manufacturer may require or recommend optional equipment for snow removal. Do not exceed vehicle ratings with a snowplow. The company offers a limited warranty for all snowplows and accessories. See separately printed page for this important information.