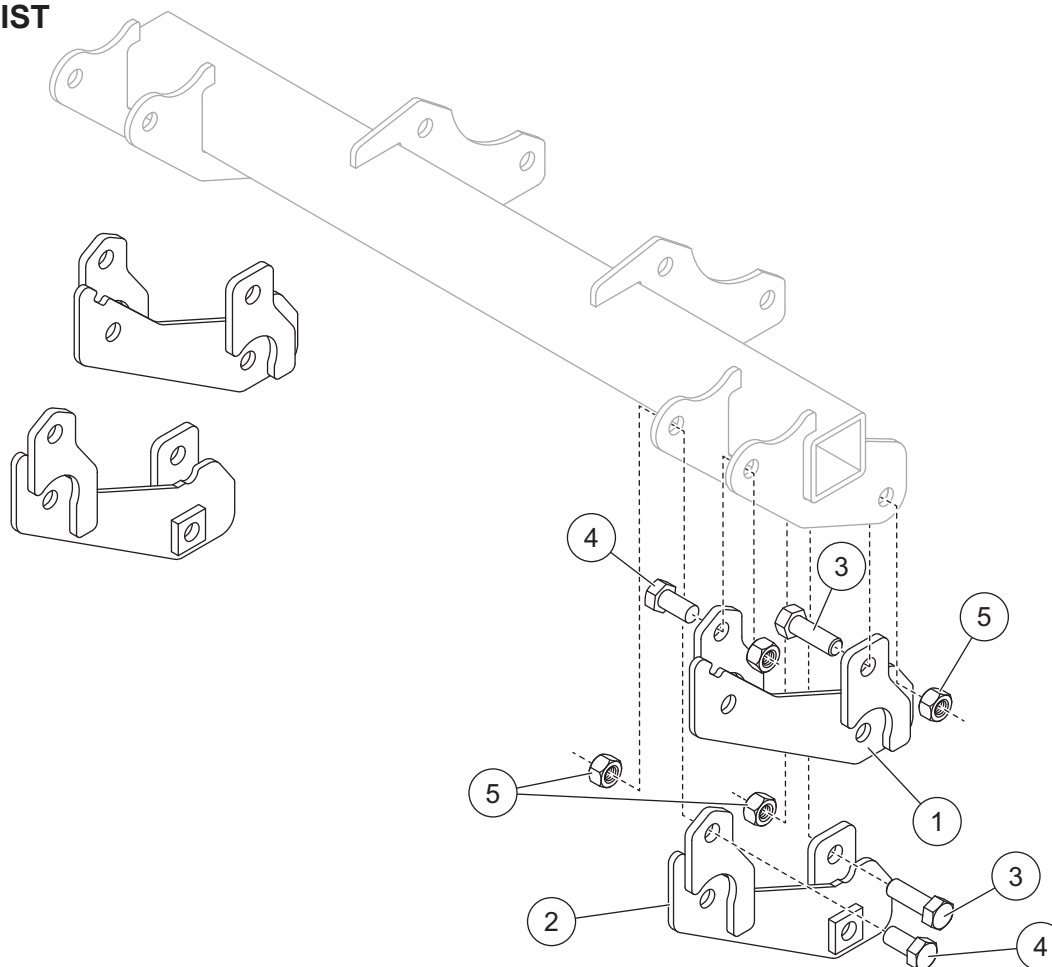


# Height Adapter Plate Kit

## UTV and Personal Plows

## PARTS LIST



77555 Height Adapter Plate Kit							
Item	Part	Qty	Description	Item	Part	Qty	Description
1	77556	2	Left Extension Plate	ns	77559	1	Bolt Bag
2	77557	2	Right Extension Plate				
77559 Bolt Bag							
3		4	1/2-13 x 1-1/2 Hex Cap Screw G5	5		8	1/2-13 Hex Locknut GB
4		4	1/2-13 x 1 Hex Cap Screw G5				
ns = not shown				G = Grade			

**⚠ WARNING**

Do not exceed GVWR or GAWR, including blade and ballast. The rating label is found on the driver-side vehicle door cornerpost.

**⚠ CAUTION**

Read this document before installing the height adapter plate kit.

## INSTALLATION INSTRUCTIONS

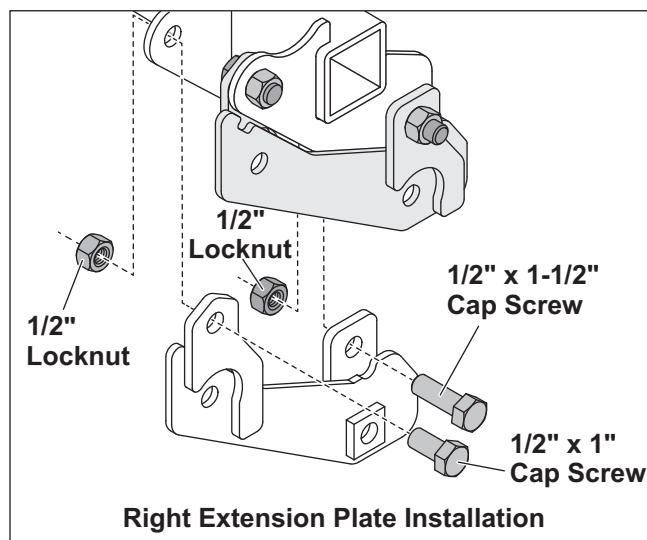
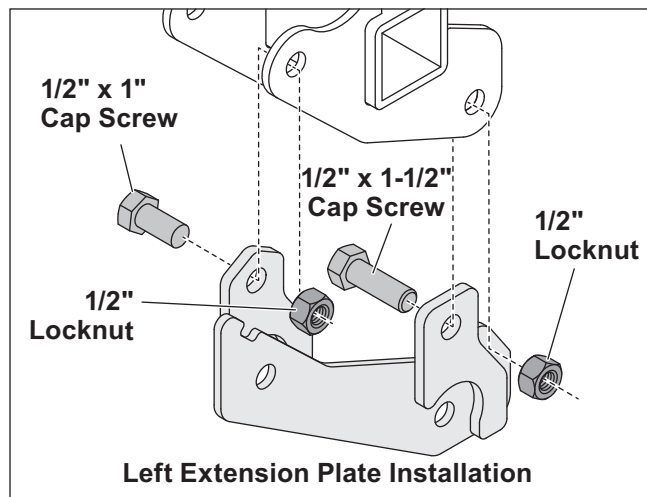
### ⚠ CAUTION

Use standard methods and practices when attaching snowplow and installing accessories, including proper personal protective safety equipment.

### ⚠ CAUTION

See your sales outlet/website for specific vehicle application recommendations before installation. The online selection system has specific vehicle and snowplow requirements.

1. Park the vehicle on a smooth, level, hard surface, such as concrete. Lower the blade to the ground, and turn the control OFF. Disconnect the snowplow from the vehicle, or turn the vehicle ignition to the "OFF" position and remove the key.
2. Follow the mount kit Installation Instructions until directed to install the beam. On level ground, measure the distance between the rear receiver hole and the ground. If this measurement exceeds 11-1/2", install the height adapter plates as follows.
3. Position the left extension plate against the driver's side of the truck mount. Insert a 1/2" x 1" cap screw through the front extension plate tab and the front receiver hole of the mount. Secure with a 1/2" locknut. Then insert a 1/2" x 1-1/2" cap screw through the rear receiver hole on the mount and the rear tab on the extension plate. Secure with a 1/2" locknut.
4. Position the right extension plate against the driver's side of the truck mount. Insert a 1/2" x 1" cap screw through the front extension plate tab and the front receiver hole of the mount. Secure with a 1/2" locknut. Then insert a 1/2" x 1-1/2" cap screw through the rear receiver hole on the mount and the rear tab on the extension plate. Secure with a 1/2" locknut.



5. Repeat for the passenger's side.
6. Torque all fasteners to 75 ft-lb.
7. Return to the Installation Instructions included with the mount kit for final instructions.

Copyright © 2019 Douglas Dynamics, LLC. All rights reserved. This material may not be reproduced or copied, in whole or in part, in any printed, mechanical, electronic, film, or other distribution and storage media, without the written consent of the company. Authorization to photocopy items for internal or personal use by the company's outlets or snowplow owner is granted.

The company reserves the right under its product improvement policy to change construction or design details and furnish equipment when so altered without reference to illustrations or specifications used. This equipment manufacturer or the vehicle manufacturer may require or recommend optional equipment for snow removal. Do not exceed vehicle ratings with a snowplow. The company offers a limited warranty for all snowplows and accessories. See separately printed page for this important information.

Printed in U.S.A.