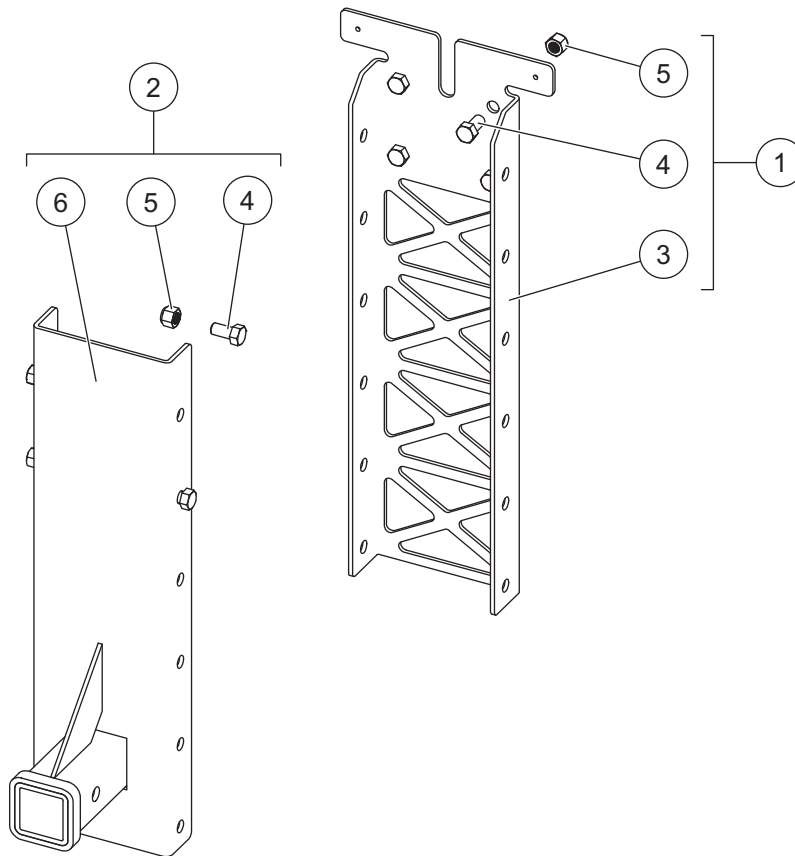


Spray Boom Hitch Assembly

Liqui Maxx™ Sprayer Systems

PARTS LIST


Hitch Assembly							
Item	Part	Qty	Description	Item	Part	Qty	Description
1	76180	3	Hitch Bracket Kit, BRM-175	2	76181	1	Hitch Mount Kit, BRM-175
Item 1				76180 Hitch Bracket Kit, BRM-175			
3		1	Hitch Bracket	5		4	1/2-13 Hex Locknut G5
4		4	1/2-13 x 1 Hex Cap Screw G5				
Item 2				76181 Hitch Mount Kit, BRM-175			
4		4	1/2-13 x 1 Hex Cap Screw G5	6		1	Hitch Mount
5		4	1/2-13 Hex Locknut G5				
G = Grade							

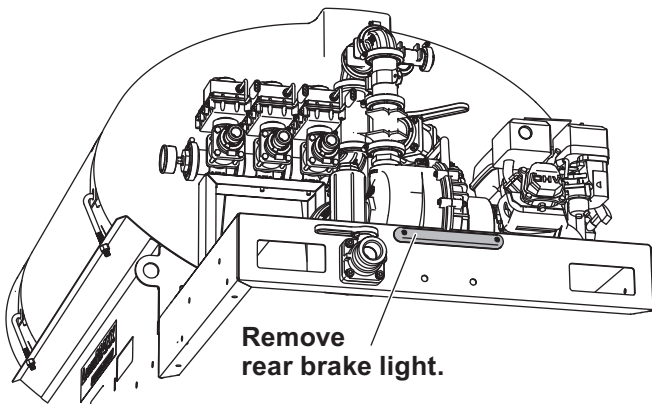
INSTALLATION INSTRUCTIONS

⚠ WARNING
 Do not exceed GVWR or GAWR ratings as found on the driver-side vehicle door cornerpost.

⚠ CAUTION
 Read this document before installing the Spray Boom Hitch Assembly.

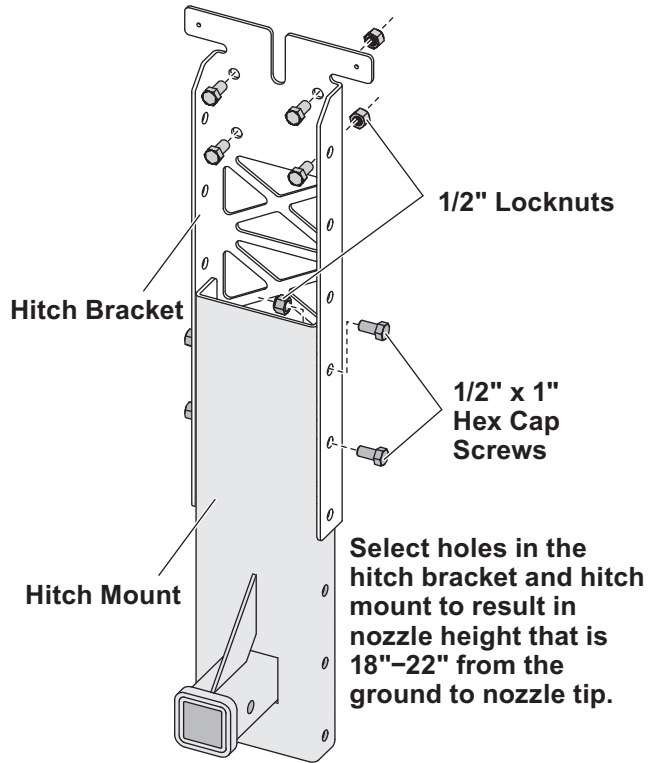
⚠ CAUTION
 Use standard methods and practices when attaching sprayer and installing accessories, including proper personal protective safety equipment.

1. To install the spray boom hitch, unfasten the rear brake light.

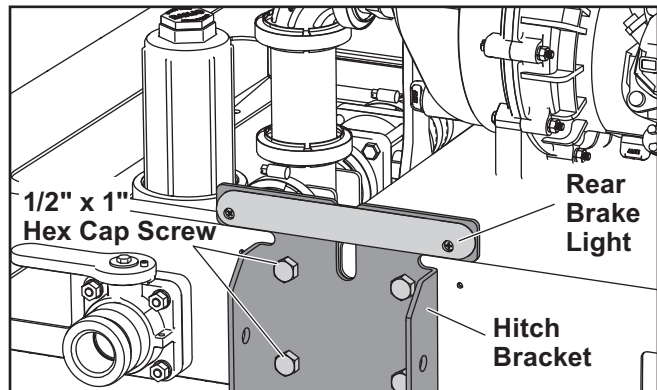


2. Install the hitch bracket to the pump platform using the 1/2" hardware provided.

3. Align the hitch bracket and hitch mount to result in a nozzle height that is 18"-22" from the ground to nozzle tip. Fasten the hitch mount to the hitch bracket using the 1/2" hardware provided.



4. Reinstall the light on the top rear face of the hitch bracket.



Copyright © 2017 Douglas Dynamics, LLC. All rights reserved. This material may not be reproduced or copied, in whole or in part, in any printed, mechanical, electronic, film, or other distribution and storage media, without the written consent of TrynEx International, LLC. Authorization to photocopy items for internal or personal use by TrynEx International, LLC, outlets or sprayer owner is granted.

TrynEx International, LLC, reserves the right under its product improvement policy to change construction or design details and furnish equipment when so altered without reference to illustrations or specifications used. TrynEx International, LLC, or the vehicle manufacturer may require or recommend optional equipment for snow and ice removal. Do not exceed vehicle ratings with a sprayer. TrynEx International, LLC, offers a limited warranty for all sprayer and accessories. See separately printed page for this important information. The following are registered (®) or unregistered (™) trademarks of Douglas Dynamics, LLC: Liqui Maxx™, SnowEx®.