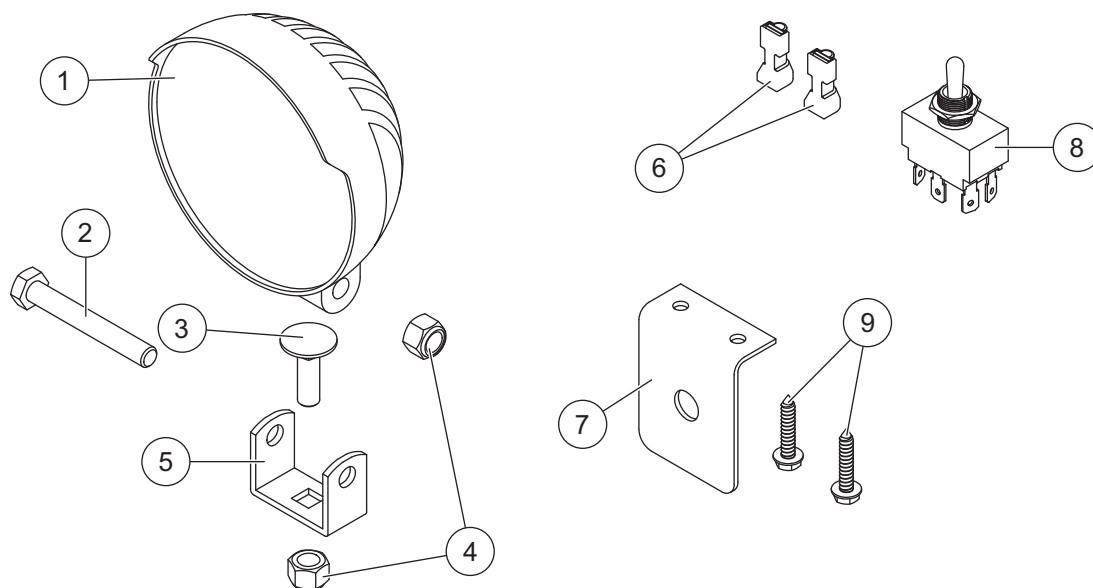


Primary Work Light Kit

HFD Liqui Maxx™ Spray Systems

PARTS LIST



72159 Primary Work Light Kit							
Item	Part	Qty	Description	Item	Part	Qty	Description
1	78377	1	LED Work Light	7	60230	1	Light Switch Bracket
2		1	5/16-18 x 2 Hex Cap Screw SS	8	53845	1	Toggle Switch, DPDT
3		1	5/16-18 x 1-1/4 Carriage Bolt SS	9		2	#10 Tapping Screw
4		2	5/16-18 Locknut SS	ns	78386	1	Harness Assembly – 72"
5		1	Mounting Clip	ns		4	Cable Tie
6	D7107	2	Spade Connector, Female				
ns = not shown				SS = Stainless Steel			

⚠ WARNING

Do not exceed GVWR or GAWR ratings as found on the driver-side vehicle door cornerpost.

⚠ CAUTION

Use standard methods and practices when attaching sprayer and installing accessories, including proper personal protective safety equipment.

⚠ CAUTION

Read this document before installing the primary work light.

INSTALLATION INSTRUCTIONS

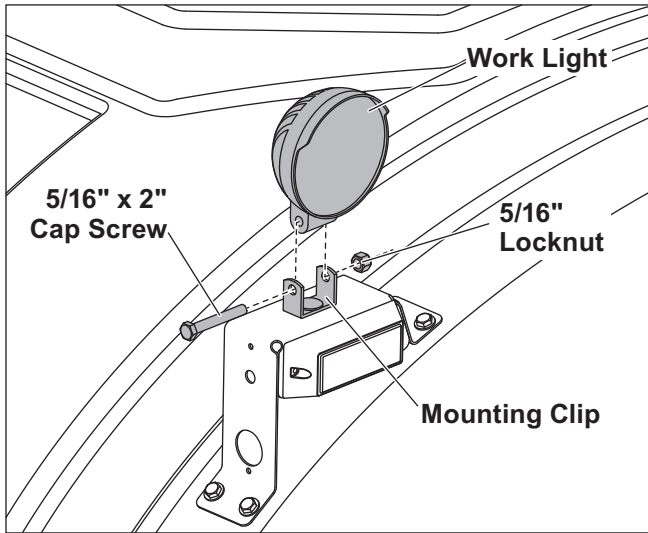
For installation on vehicles that have HFD Liqui Maxx™ sprayer systems already installed and operational. For an introduction to the installation of the sprayer system, visit snowexproducts.com.

1. Park the vehicle on a smooth, level, hard surface, such as concrete. Turn the vehicle ignition to the "OFF" position and remove the key. Disconnect the POSITIVE [+] battery lead and secure safely away from the battery.

⚠ CAUTION

Before drilling any holes, check both sides of the material for any wires, fuel lines, fuel tanks, etc., that may be damaged by drilling.

2. The illustration below shows the work light being mounted to a previously installed strobe light bracket. The work light can be installed in a different location by drilling a 13/32" hole for installing the work light mounting clip. Install the mounting clip in the desired location using the supplied 5/16" x 1-1/4" carriage bolt and 5/16" locknut.
3. Install the work light to the mounting clip using the 5/16" x 2" cap screw and 5/16" locknut, but do not fully tighten the fasteners yet.

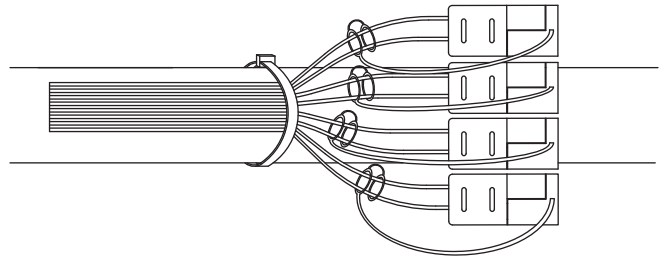


4. Aim the light in the desired direction, then fully tighten the locknut.
5. Plug the work light harness into the matching connector on the work light.

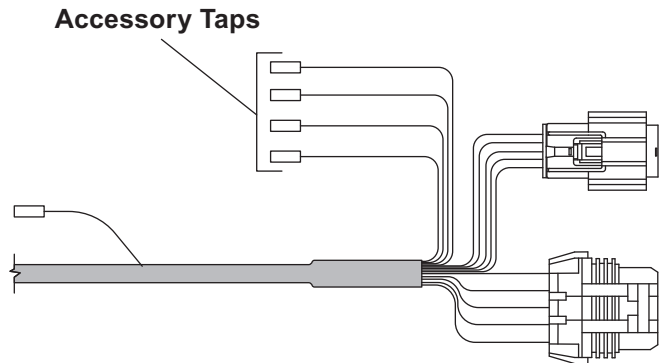
6. *If the work light is being mounted on an existing strobe light bracket, secure the work light harness to the strobe light harness using the supplied cable ties.*

If the work light harness will not be mounted on an existing strobe light bracket, the cable ties will be used to secure the harness between the light and the electrical enclosure. Drill 1/4" holes in the desired locations for attaching the cable ties. Push the barbed end into the holes and secure the work light harness to the hopper with the attached cable ties. Route the harness to the underside of the pump platform.

7. Locate the four accessory wiring connectors in the main sprayer harness assembly, located beneath the platform under the primary pump. Note the wire colors; one pair of connectors has gray and black wires, the other white and black. Connect the primary work light accessory harness to one of the connectors with gray and black wires.



8. In the cab, locate the accessory taps in the Liqui Maxx sprayer control harness. The taps are four wires approximately 18" long at the controller end of the harness that passes through the vehicle firewall. Strip and crimp one of the supplied female spade connectors onto both the gray wire and one of the red wires.



SWITCH PLACEMENT

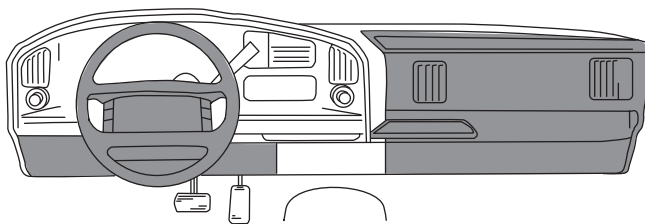
⚠ CAUTION

Do not alter, modify, or install additional components in shaded areas of the illustration below. Failure to comply may interfere with air bag deployment or cause injury to operator in an accident.

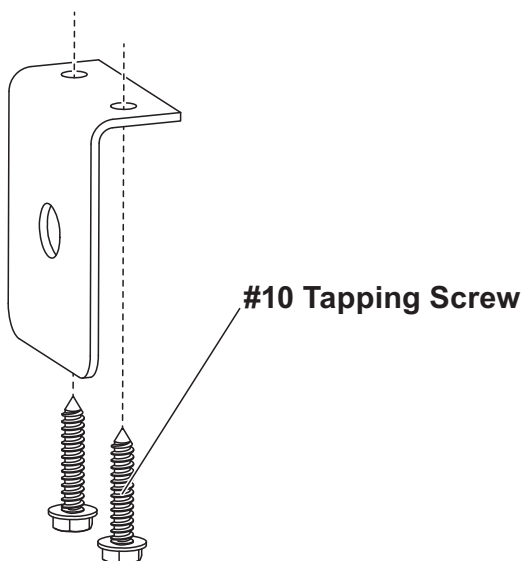
⚠ CAUTION

Before drilling any holes, check both sides of the material for any wires, fuel lines, fuel tanks, etc., that may be damaged by drilling.

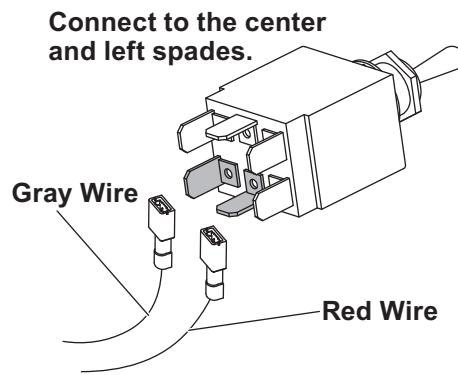
When choosing a location for the switch, it should be mounted within easy reach of the vehicle operator and not restricting access to vehicle controls or vehicle instrumentation. Do not mount the switch in areas prohibited by the vehicle manufacturer for crash worthiness. See the vehicle's body builder's book, owner's manual, or service manual for details. The shaded areas in the illustration below show the most commonly restricted areas.



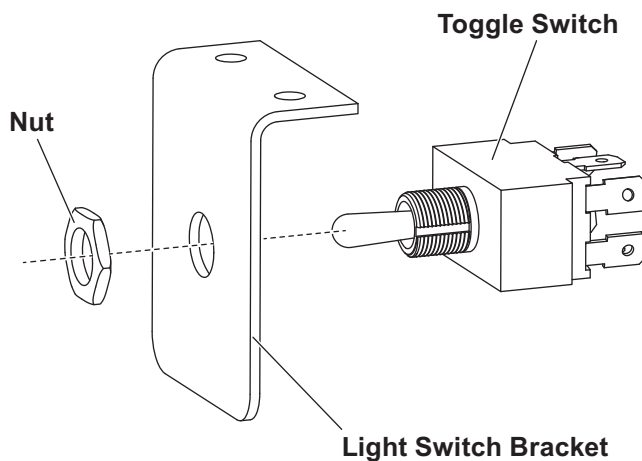
1. In the cab, mount the switch bracket using the #10 x 1" tapping screws and #10 lock washers supplied in the kit.



2. Orient the toggle switch as shown. Connect the receptacle at the end of the red wire to the bottom center spade on the switch. Connect the receptacle on the gray wire to the bottom left spade terminal.



3. Remove the nut from the toggle switch and position the switch in the switch bracket hole. Reinstall the nut and tighten until it is secure in the bracket.



4. Reconnect the POSITIVE [+] lead to the battery.

Copyright © 2017 Douglas Dynamics, LLC. All rights reserved. This material may not be reproduced or copied, in whole or in part, in any printed, mechanical, electronic, film or other distribution and storage media, without the written consent of the company. Authorization to photocopy items for internal or personal use by the company's outlets or spreader owner is granted.

The company reserves the right under its product improvement policy to change construction or design details and furnish equipment when so altered without reference to illustrations or specifications used. This equipment manufacturer or the vehicle manufacturer may require or recommend optional equipment for spreaders. Do not exceed vehicle ratings with a spreader. The company offers a limited warranty for all spreaders and accessories. See separately printed page for this important information. The following is an unregistered (™) trademark of Douglas Dynamics, LLC: Liqui Maxx™.

Printed in U.S.A.
