



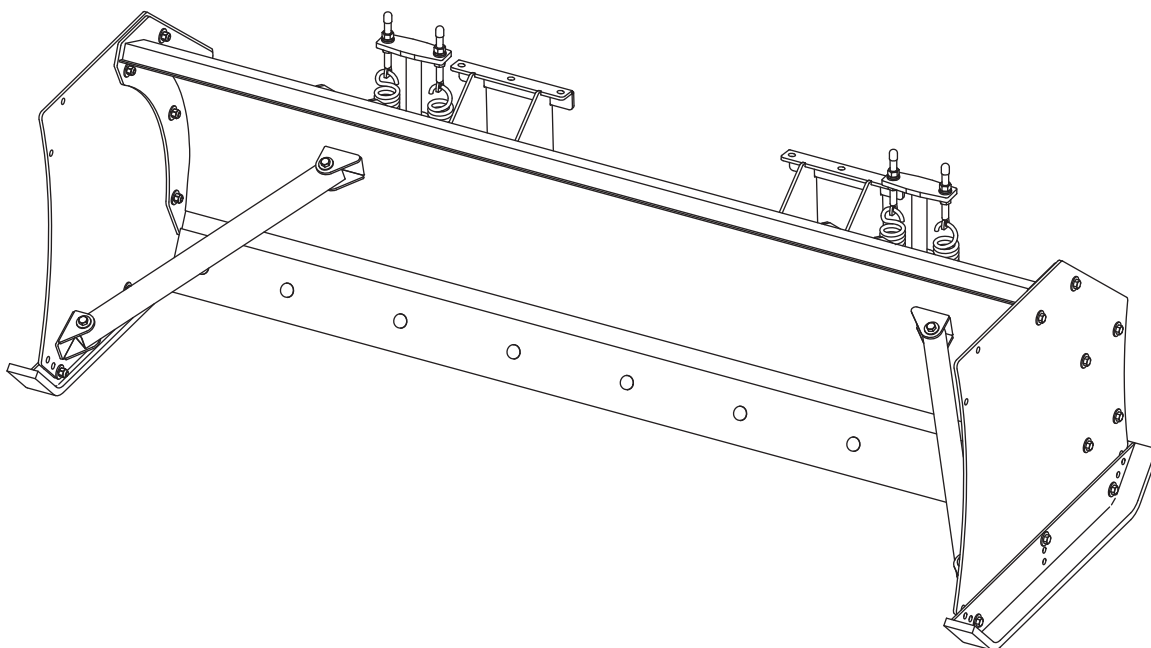
POWER PUSHER™ TE

77779, 77789

POWER PUSHER™ TE Snowplow

Steel Trip Edge Pusher Plow

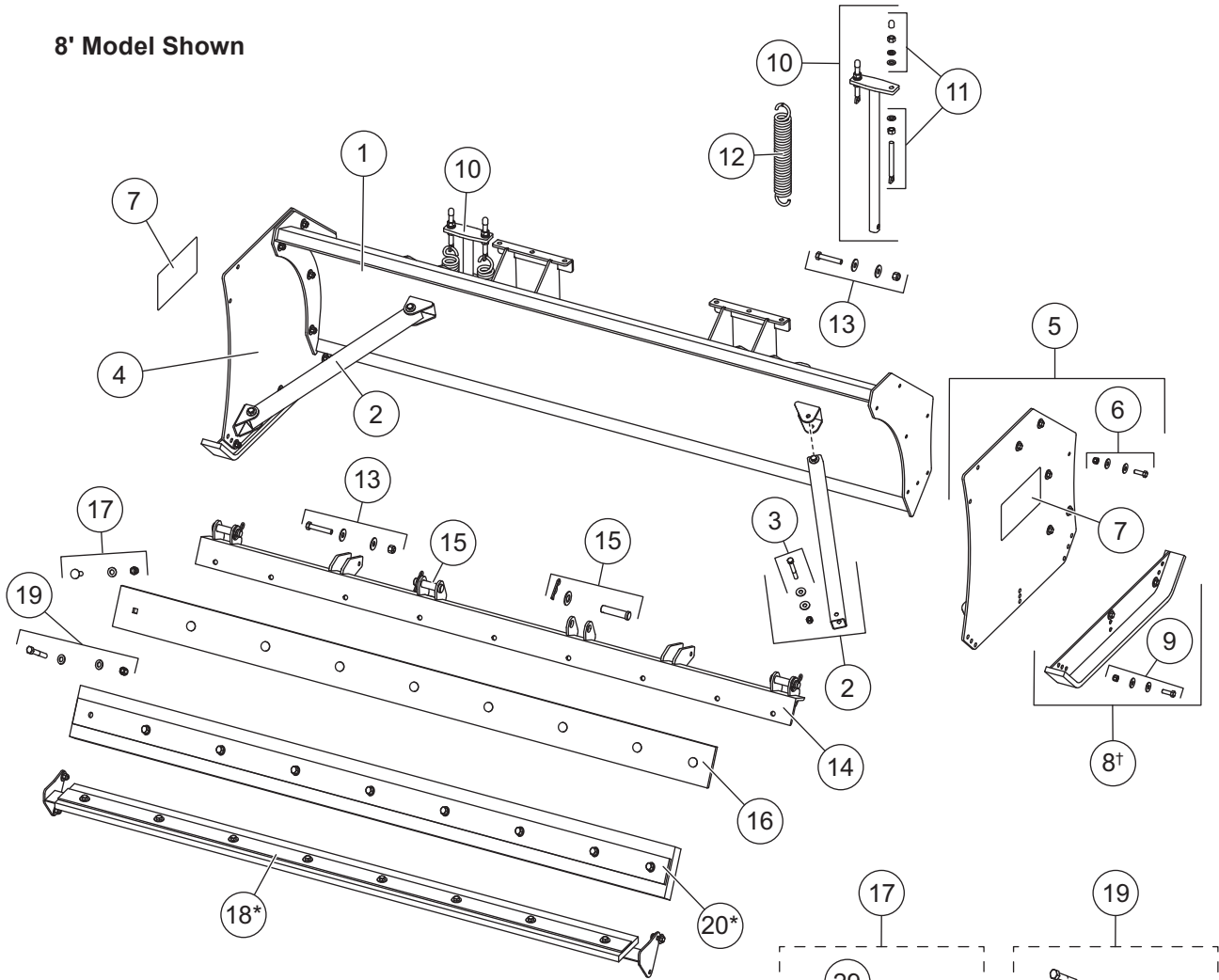
Parts List



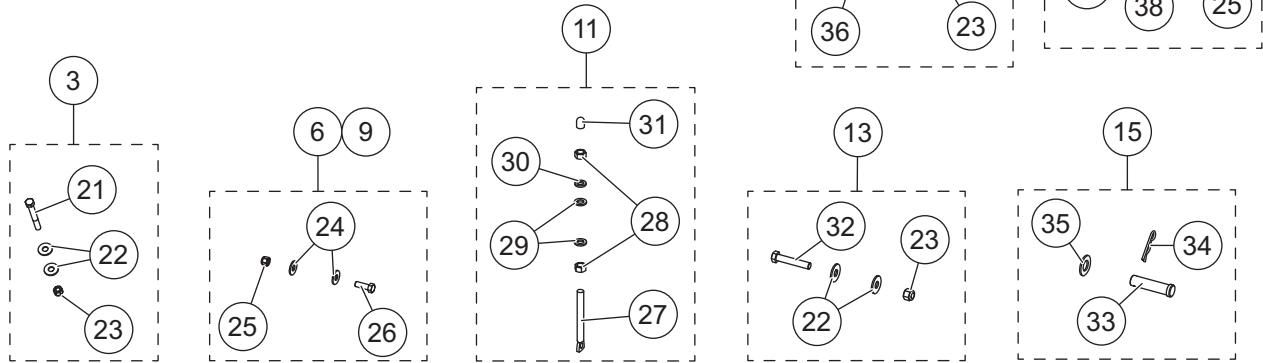
POWER PUSHER™ TE BLADE COMPONENTS

Blade Components

8' Model Shown



* Accessory only.



POWER PUSHER™ TE BLADE COMPONENTS

77779/77789 Blade Components							
Item	Part	Qty	Description	Item	Part	Qty	Description
1	72765	1	8' Box Blade	14	72744	1	8' Trip Edge
	72766	1	10' Box Blade		72745	1	10' Trip Edge
2	72753	2	Brace Kit w/Fasteners	15	72774	4	1 x 4 Pin Kit
3	72777	2	Brace Bolt Kit	16	72746	1	8' Steel Cutting Edge (incl. item 17)
4	72768	1	Side Plate Kit – PS (incl. items 6 & 7)		72747	1	10' Steel Cutting Edge (incl. item 17)
5	72767	1	Side Plate Kit – DS (incl. items 6 & 7)	17	72772	1	Steel Cutting Edge Hardware Kit
6	72776	2	Side Plate Bolt Kit	18	78661*	1	8' Rubber Cutting Edge (incl. item 19)
7	72361	2	Label – Logo, POWER PUSHER™		78662*	1	10' Rubber Cutting Edge (incl. item 19)
8	79821†	2	Wear Shoe Kit (incl. item 9)				
9	72773	2	Wear Shoe Hardware Kit	19	78660	1	Rubber Cutting Edge Hardware Kit
10	72754	2	Spring Bar w/Spade Bolts	20	79822*	1	8' Back Drag Edge Kit
11	72778	4	Spade Bolt Kit		72756*	1	10' Back Drag Edge Kit
12	23039	4	Trip Spring				
13	72775	2	Trip Spring Bar Bolt Kit				
Item 3				72777 Brace Bolt Kit			
21		2	5/8-11 x 4-1/2 Hex Cap Screw G5	23		2	5/8-11 Hex Locknut GB
22		4	5/8 Flat Washer Type A Wide				
Item 6				72776 Side Plate Bolt Kit			
24		12	1/2 Flat Washer Type A Wide	26		6	1/2-13 x 1-1/2 Hex Cap Screw G5
25		6	1/2-13 Hex Locknut GB				
Item 9				72773 Wear Shoe Hardware Kit			
24		6	1/2 Flat Washer Type A Wide	26		3	1/2-13 x 1-1/2 Hex Cap Screw G5
25		3	1/2-13 Hex Locknut GB				
Item 11				72778 Spade Bolt Kit			
27		1	5/8-11 x 6 Spade Bolt	30		1	5/8 Lock Washer
28		2	5/8-11 Hex Nut G5	31		1	5/8 Vinyl Cap
29		2	5/8 SAE Flat Washer				
Item 13				72775 Trip Spring Bar Bolt Kit			
22		2	5/8 Flat Washer Type A Wide	32		1	5/8-11 x 3-1/2 Hex Cap Screw G5
23		1	5/8-11 Hex Locknut GB				
Item 15				72774 1 x 4 Pin Kit			
33		1	1 x 4 Clevis Pin	35		1	1" Flat Washer Type A Narrow
34		1	0.2 x 3-3/4 Hairpin Cotter				
Item 17				72772 Steel Cutting Edge Hardware Kit			
22		11‡	5/8-11 Hex Locknut GB	36		11‡	5/8-11 x 2 Carriage Bolt G5
29		11‡	5/8 SAE Flat Washer				
Item 19				78660 Rubber Cutting Edge Hardware Kit			
25		11‡	1/2-13 Hex Locknut GB	38		22‡	1/2 Flat Washer Type A Narrow
37		11‡	1/2-13 x 2-1/2 Hex Cap Screw G5				

G = Grade

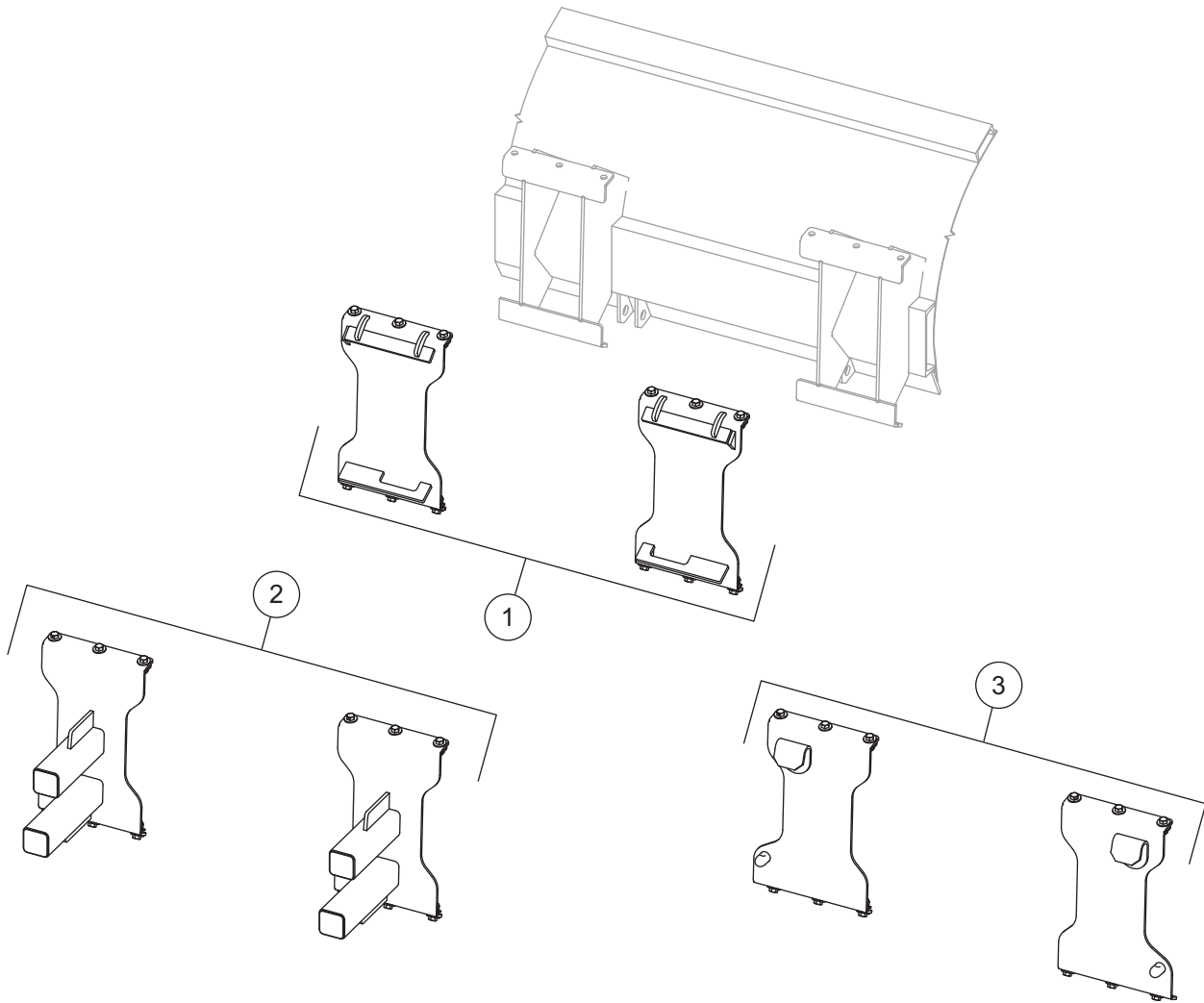
* Accessory only.

† Single shoe per kit.

‡ Not all fasteners used for all blade sizes.

POWER PUSHER™ TE ATTACHMENT PLATES

Pusher Plow Attachment Plate Options



Attachment Plates							
Item	Part	Qty	Description	Item	Part	Qty	Description
1	79360	1	Skid Steer Attachment Plates w/Mounting Hardware	3	79362†	1	Quik-Tatch® Attachment Plates w/Mounting Hardware
2	79361*	1	Loader Attachment Plates w/Mounting Hardware	ns	79359	1	Bolt Bag (all mount types)
				ns	72042	1	Binder Kit (for loader installations)
ns = not shown							

* Requires installation of Binder Kit (PN 72042).

† For installation on John Deere vehicles. Quik-Tatch® is a registered trademark of Deere & Company.



TrynEx International, LLC
531 Ajax Drive
Madison Heights, MI 48071-2429
www.snowexproducts.com

 A DIVISION OF DOUGLAS DYNAMICS, LLC

Copyright © 2020 Douglas Dynamics, LLC. All rights reserved. This material may not be reproduced or copied, in whole or in part, in any printed, mechanical, electronic, film, or other distribution and storage media, without the written consent of TrynEx International, LLC. Authorization to photocopy items for internal or personal use by TrynEx International outlets or snowplow owner is granted.

TrynEx International reserves the right under its product improvement policy to change construction or design details and furnish equipment when so altered without reference to illustrations or specifications used. TrynEx International or the vehicle manufacturer may require or recommend optional equipment for snow removal. Do not exceed vehicle ratings with a snowplow. TrynEx International offers a limited warranty for all snowplows and accessories. See separately printed page for this important information. The following are registered (®) or unregistered (™) trademarks of Douglas Dynamics, LLC: POWER PUSHER™, SnowEx®.

Printed in U.S.A.