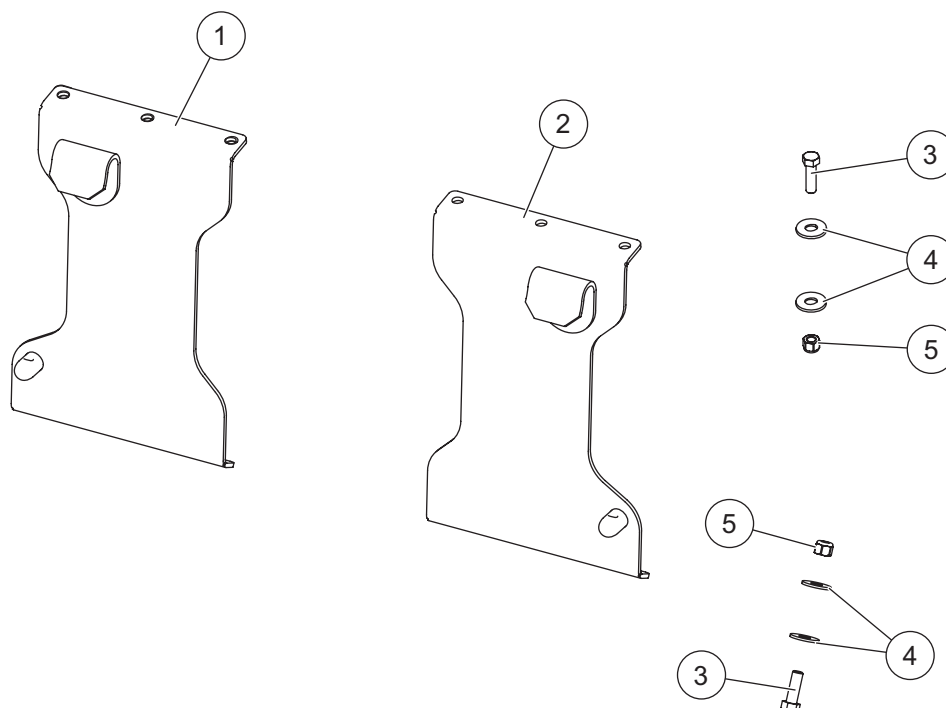


Quik-Tatch® Attachment Plates

Steel Trip Edge Pusher Plows

PARTS LIST



| 79362 Quik-Tatch Attachment Plates Kit* | | | | | | | |
|---|-------|-----|-------------------------------------|-----------|-------|-----|-----------------------|
| Item | Part | Qty | Description | Item | Part | Qty | Description |
| 1 | 72893 | 1 | Quik-Tatch Attachment Plate – Left | ns | 79359 | 1 | Bolt Bag |
| 2 | 72894 | 1 | Quik-Tatch Attachment Plate – Right | | | | |
| 79359 Bolt Bag | | | | | | | |
| 3 | | 12 | 1/2-13 x 1-1/2 Hex Cap Screw G5 | 5 | | 12 | 1/2-13 Hex Locknut GB |
| 4 | | 24 | 1/2 Flat Washer | | | | |
| ns = not shown | | | | G = Grade | | | |

⚠ WARNING

Do not exceed GVWR or GAWR, including blade and ballast.

⚠ CAUTION

Read this document before installing the attachment plates.

⚠ CAUTION

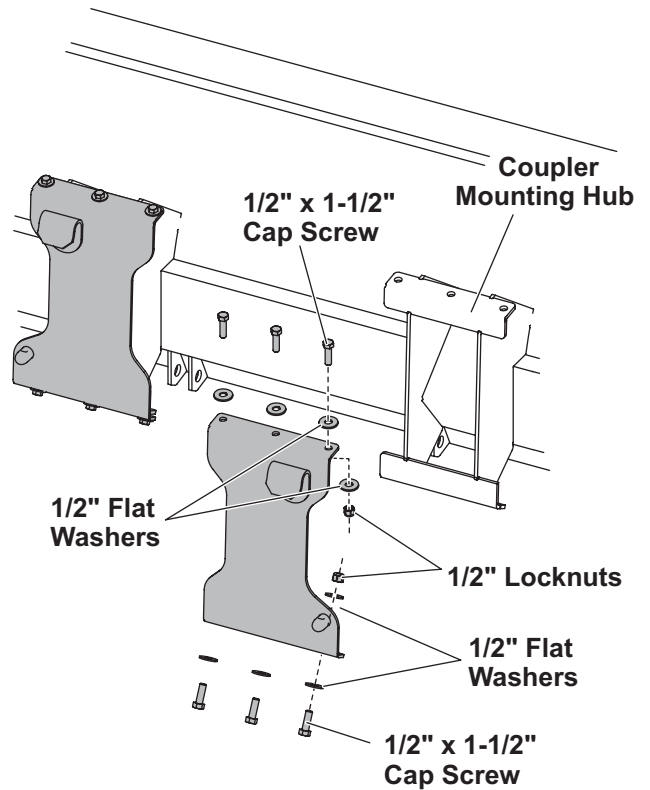
Use standard methods and practices when attaching snowplow and installing accessories, including proper personal protective safety equipment.

* For installation on John Deere vehicles. Quik-Tatch® is a registered trademark of Deere & Company.

INSTALLATION INSTRUCTIONS

Install the Quik-Tatch® attachment plates to the coupler mounting hubs on the back of the blade using a 1/2" x 1-1/2" cap screw, two 1/2" flat washers, and a 1/2" locknut at each mounting hole, as shown. Tighten fasteners to 75 ft-lb.

Refer to your John Deere vehicle owner's manual for instructions on attaching the pusher plow to the vehicle.



Copyright © 2019 Douglas Dynamics, LLC. All rights reserved. This material may not be reproduced or copied, in whole or in part, in any printed, mechanical, electronic, film, or other distribution and storage media, without the written consent of the company. Authorization to photocopy items for internal or personal use by the company's outlets or snowplow owner is granted.

The company reserves the right under its product improvement policy to change construction or design details and furnish equipment when so altered without reference to illustrations or specifications used. This equipment manufacturer or the vehicle manufacturer may require or recommend optional equipment for snow removal. Do not exceed vehicle ratings with a snowplow. The company offers a limited warranty for all snowplows and accessories. See separately printed page for this important information.

Printed in U.S.A.