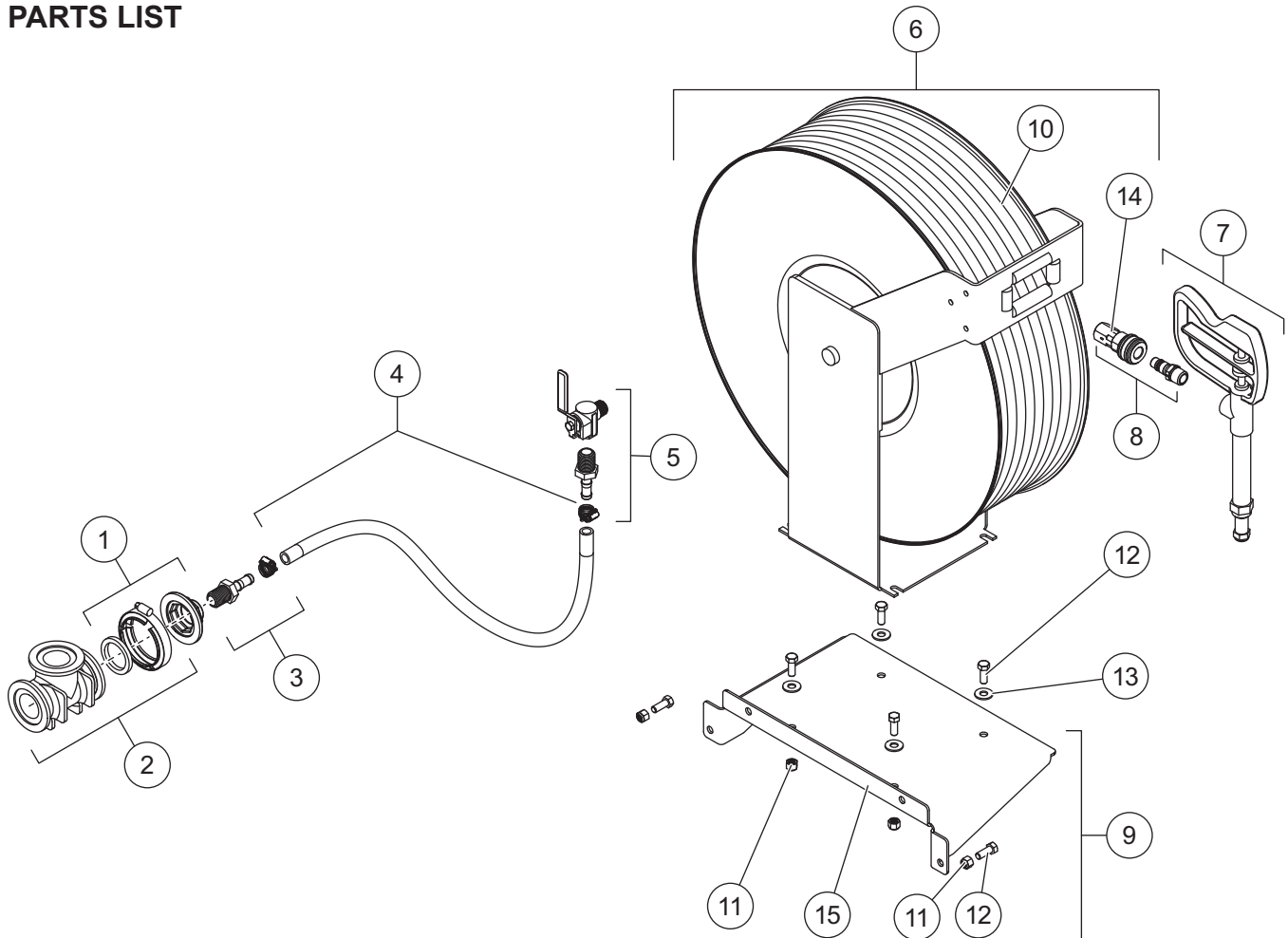


Hose Reel Kit

PARTS LIST



Hose Reel Assembly							
Item	Part	Qty	Description	Item	Part	Qty	Description
1	76402	1	Flange, 2 x 1/2 Adapter	6	76165	1	Hose Reel Kit, 100'
2	76140	1	Tee Kit, 2" Flange	7	76166	1	Spray Gun With 1/2" MPT Fitting
3	76163	1	Hose Barb Kit, 1/2 NPT x 1/2	8	76168	1	Hose Reel Coupler 1/2" FPT/MPT
4	76162	1	Reel Inlet Hose Kit, 1/2 x 22	9	76167	1	Hose Reel Base Kit
5	76549	1	Right Angle Valve Kit				
Item 6				76165 Hose Reel Kit, 100'			
10		1	Hose Reel, 100' Spring Return	13		4	3/8 Flat Washer
11		4	3/8-16 Hex Locknut	14		1	Coupler Socket, 1/2 FPT
12		4	3/8-16 x 1 Hex Cap Screw				
Item 9				76167 Hose Reel Base Kit			
11		4	3/8-16 Hex Locknut	15		1	Hose Reel Support Bracket
12		4	3/8-16 x 1 Hex Cap Screw				

INSTALLATION INSTRUCTIONS

⚠ WARNING

Do not exceed GVWR or GAWR ratings as found on the driver-side vehicle door cornerpost.

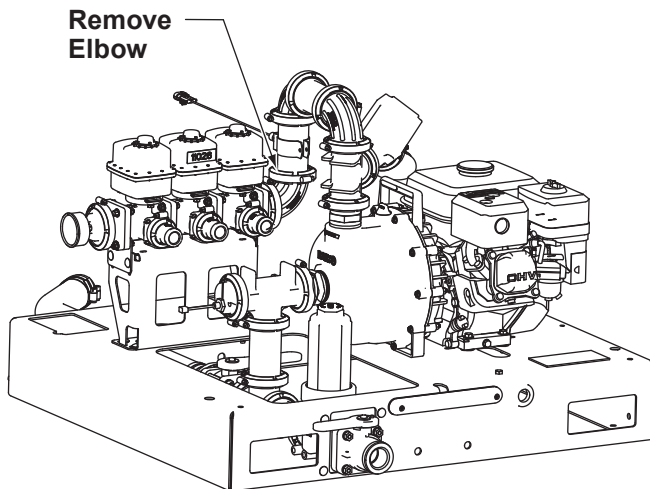
⚠ CAUTION

Use standard methods and practices when attaching sprayer and installing accessories, including proper personal protective safety equipment.

⚠ CAUTION

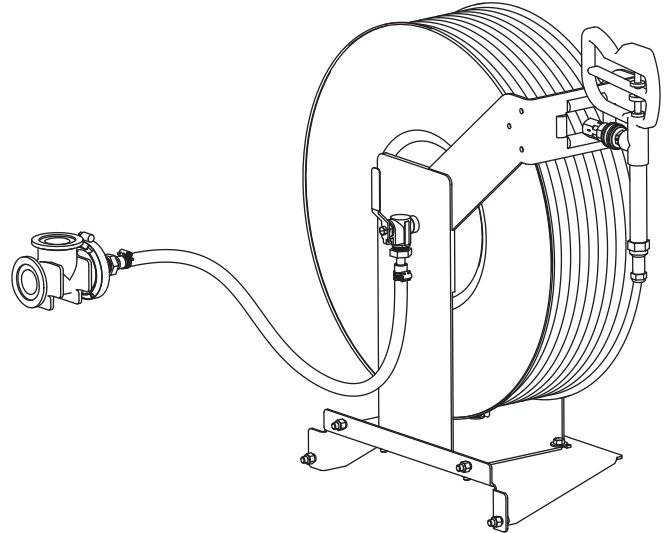
Read this document before installing the hose reel kit.

1. Remove the elbow that feeds the 3-valve bank. Remove elbow, clamps, and gaskets, and set aside.



2. Install the tee in place of the elbow with gaskets and clamps. Tighten the clamps.

3. Install the mounting bracket on the passenger's side of the pump stand, using the 3/8" hardware provided. Tighten securely.
4. Install the hose reel on the bracket, using the 3/8" hardware provided. Tighten securely.
5. Route and cut the hose to length. Install on hose barbs with the hose clamps. Tighten.



OPERATING INSTRUCTIONS

1. Pull on the spray wand and extend the hose to the desired length. Listen for detent clicks and release the pressure to lock the hose into place.
2. To release, pull the hose out until it clicks, then release.
3. If the volume is too low when operating the sprayer, make sure the control is in "Manual" mode, and "Run" with the section switches turned OFF. Press "+" button until volume increases.
4. When finished with hand spraying, revert the control back to the desired operating mode.

Copyright © 2017 Douglas Dynamics, LLC. All rights reserved. This material may not be reproduced or copied, in whole or in part, in any printed, mechanical, electronic, film or other distribution and storage media, without the written consent of TrynEx International, LLC. Authorization to photocopy items for internal or personal use by TrynEx International, LLC outlets or snowplow owner is granted.

TrynEx International, LLC, reserves the right under its product improvement policy to change construction or design details and furnish equipment when so altered without reference to illustrations or specifications used. TrynEx International, LLC, or the vehicle manufacturer may require or recommend optional equipment for snow removal. Do not exceed vehicle ratings with a sprayer. TrynEx International, LLC, offers a limited warranty for all sprayer and accessories. See separately printed page for this important information. The following is a registered (®) trademark of Douglas Dynamics, LLC: SnowEx®.

Printed in U.S.A.