

# Mount Kit

Ford Bronco, F-150 4X4 1992 - 96

1369/1379

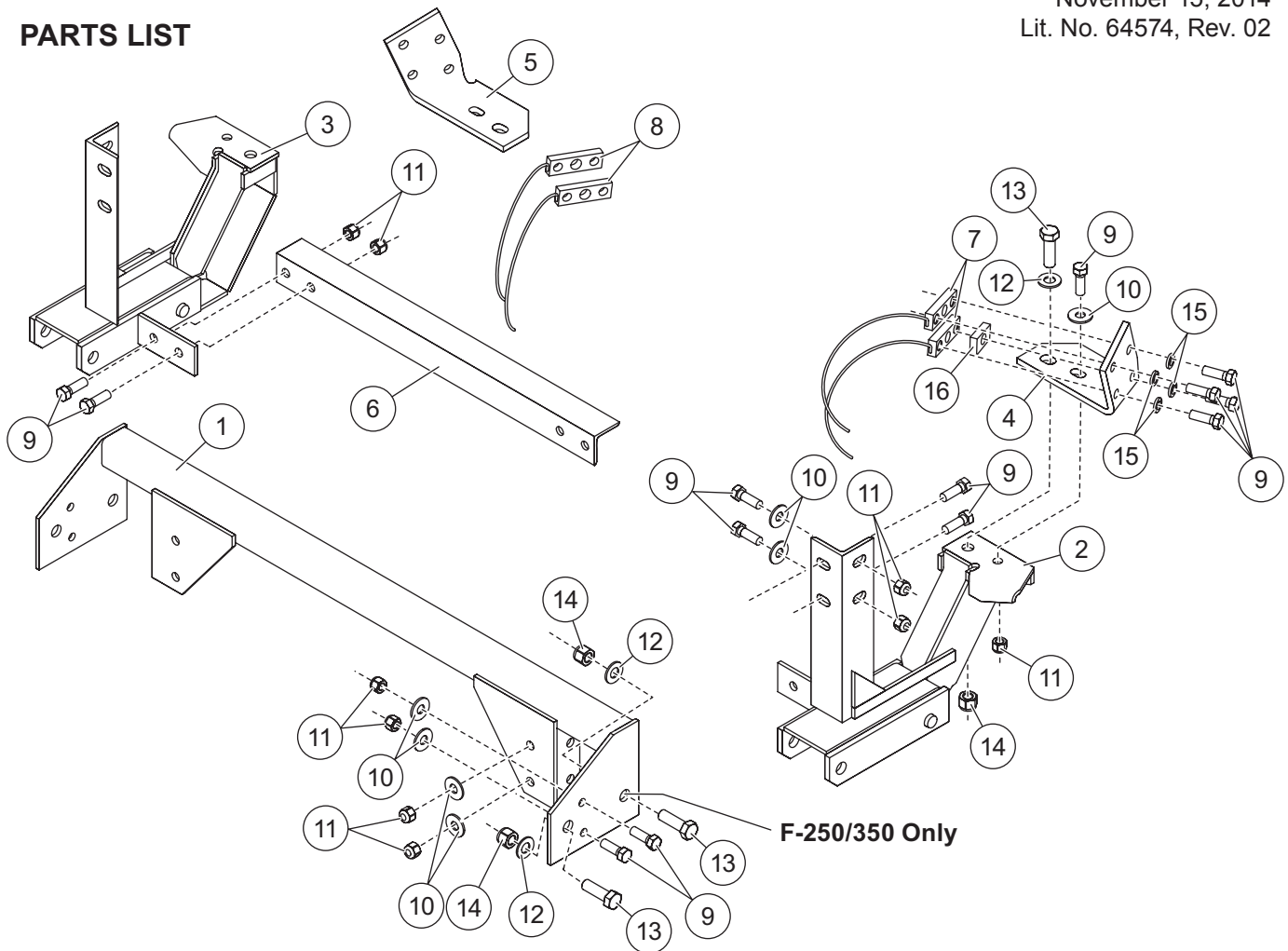
F-250/350 4X4, F-250 2WD (over 8,500 GVWR) 1992 - 97

F-350 2WD (over 10,000 GVWR) 1992 - 97

Ford Super Duty 1992 - 97

November 15, 2014  
Lit. No. 64574, Rev. 02

## PARTS LIST



1369 & 1379 Ford Mount Kit							
Item	Part	Qty	Description	Item	Part	Qty	Description
1	63916	1	Cross Mount (1369 & 1379)	5	67875	1	Formed Plate, PS
2	27972	1	Mount, DS (1369)	6	67696	1	Cross Bar
	63914	1	Mount, DS (1379)	7	61652	2	Nut Bar, DS
3	27973	1	Mount, PS (1369)	8	61653	2	Nut Bar, PS
	63915	1	Mount, PS (1379)	ns	67889	1	Bolt Bag – 1369 & 1379
4	67874	1	Formed Plate, DS	ns	49093	1	Evaporator Bracket Kit
67889 Bolt Bag – 1369 & 1379							
9		30	1/2-13 x 1-1/2 Hex Cap Screw G5	16		1	Spacer
10		18	1/2 Flat Washer	ns		4	Cable Tie – Long
11		22	1/2-13 Hex Locknut GB	ns		2	5/32 ID x 3 Convuluted Tube
12		6	5/8 Flat Washer	ns		4	5/16-18 Hex Locknut GB
13		6	5/8-11 x 2 Hex Cap Screw G5	ns		4	5/16-18 x 1 Hex Cap Screw G5
14		6	5/8-11 Hex Locknut GB	ns		4	5/16 Flat Washer
15		8	1/2 Spring Lock Washer				
ns = not shown				G = Grade			

Copyright © 2014 Douglas Dynamics, LLC. All rights reserved. This material may not be reproduced or copied, in whole or in part, in any printed, mechanical, electronic, film or other distribution and storage media, without the written consent of the company. Authorization to photocopy items for internal or personal use by the company's outlets or snowplow owner is granted.

The company reserves the right under its product improvement policy to change construction or design details and furnish equipment when so altered without reference to illustrations or specifications used. This equipment manufacturer or the vehicle manufacturer may require or recommend optional equipment for snow removal. Do not exceed vehicle ratings with a snowplow. The company offers a limited warranty for all snowplows and accessories. See separately printed page for this important information.

**Printed in U.S.A.**

---