

Check Valve Access Cover

Brine Pro™ Brine Maker

INSTALLATION INSTRUCTIONS

⚠ CAUTION

Read this document before installing the Brine Pro Check Valve Access Cover.

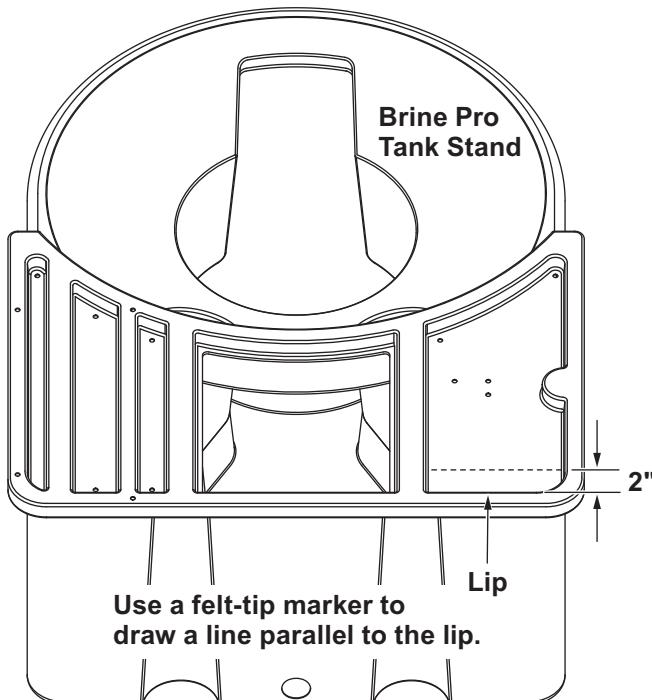
⚠ CAUTION

Use standard methods and practices when installing accessories, including proper personal protective safety equipment.

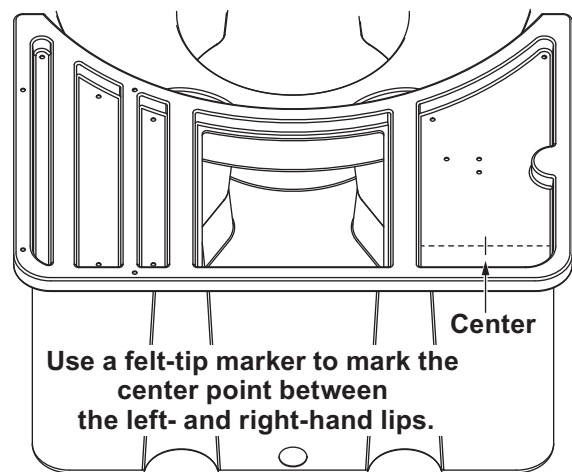
Tools Required:

- Felt-tip marker
- Spiral cutter or utility knife
- Phillips head screwdriver

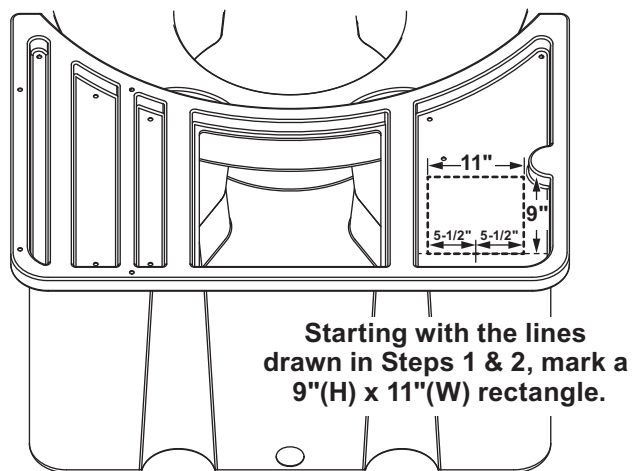
1. On the flat area of the Brine Pro tank stand, measure 2" in from the vertical lip, as shown. Using a felt-tip marker, draw a line parallel to the lip.



2. Find the centerpoint between the left-hand lip and the right-hand lip. Using a felt-tip marker, mark the center point on the line drawn in Step 1.



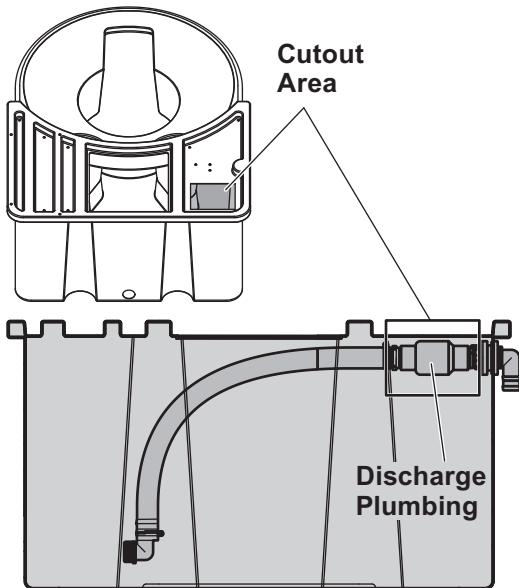
3. Starting with the lines drawn in Steps 1 & 2, use the felt-tip marker to draw a 9" high x 11" wide rectangle, centered on the flat area of the tank stand.



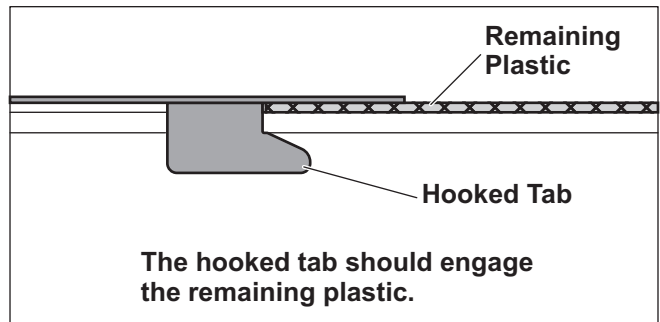
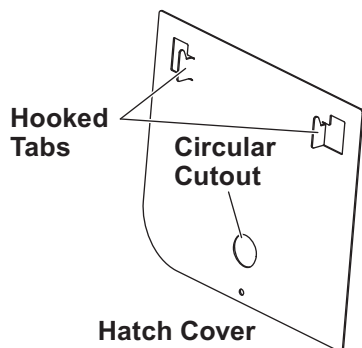
⚠ CAUTION

Use extreme care while cutting to avoid personal injury and damage to the discharge plumbing located under the cutout area.

- Using a spiral cutter or utility knife, cut out the rectangular area, **being careful not to damage the discharge check valve and hose that are located just below the cutout area.** There is tight clearance between the plastic surface and discharge plumbing.

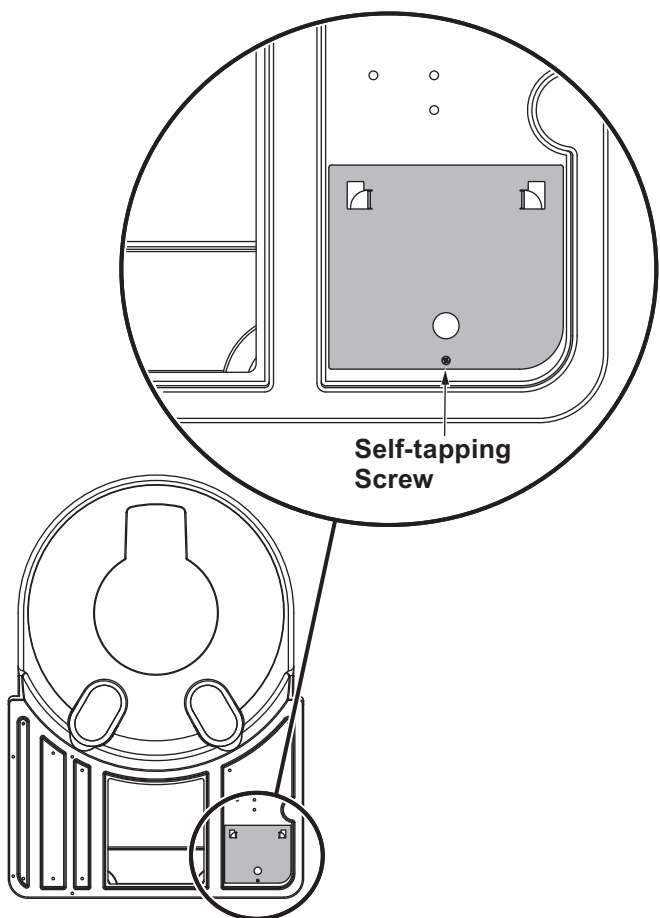


- Place the hatch cover (PN 11224) into the cutout area. The hooked tabs of the cover should engage the remaining plastic toward the mixing tub of the brine maker. The large circular cutout in the hatch cover should be toward you.



- Use a Phillips head screwdriver to install the #14 x 3/4" self-tapping screw through the small hole in the hatch cover and into the plastic. Tighten it until snug, using care not to strip the plastic material.

NOTE: Power tools are not recommended for this operation due to the danger of stripping out the plastic.



TrynEx International, LLC, reserves the right under its product improvement policy to change construction or design details and furnish equipment when so altered without reference to illustrations or specifications used. TrynEx International may require or recommend optional equipment for brine makers. TrynEx International offers a limited warranty for all brine makers and accessories. See separately printed page for this important information. The following are registered (®) or unregistered (™) trademarks of Douglas Dynamics, LLC: Brine Pro™, SnowEx®.